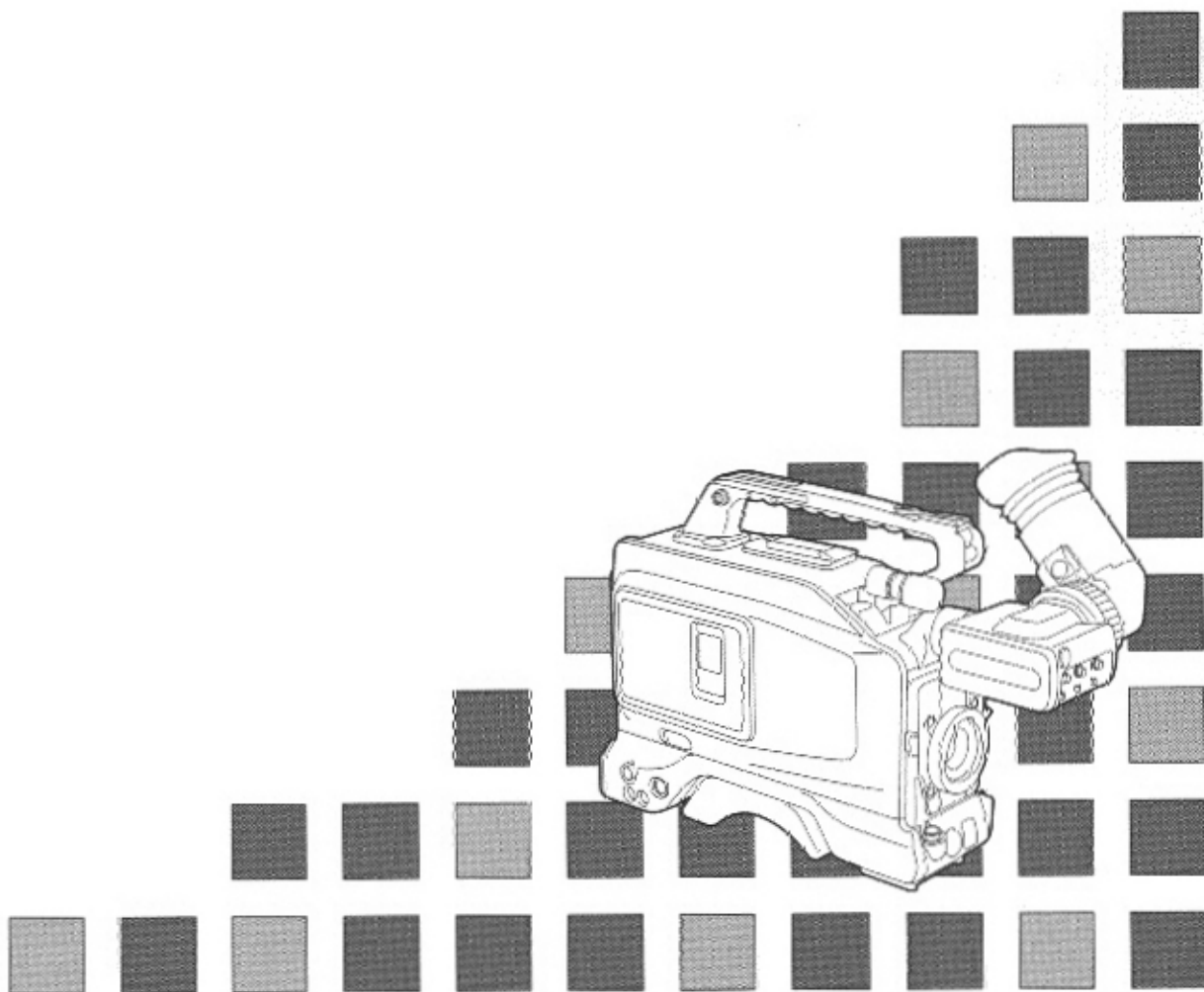


# Panasonic

**DVCPRO**  
DIGITAL VIDEO CASSETTE

Digital Camera Recorder

AJ-D210 P  
Operating Instructions





**CAUTION**  
RISK OF ELECTRIC SHOCK  
DO NOT OPEN



CAUTION: TO REDUCE THE RISK OF ELECTRIC SHOCK,  
DO NOT REMOVE COVER (OR BACK).  
NO USER SERVICEABLE PARTS INSIDE.  
REFER TO SERVICING TO QUALIFIED SERVICE PERSONNEL.



The lightning flash with arrowhead symbol, within an equilateral triangle, is intended to alert the user to the presence of uninsulated "dangerous voltage" within the product's enclosure that may be of sufficient magnitude to constitute a risk of electric shock to persons.



The exclamation point within an equilateral triangle is intended to alert the user to the presence of important operating and maintenance (service) instructions in the literature accompanying the appliance.

**CAUTION:**

TO REDUCE THE RISK OF FIRE OR SHOCK HAZARD AND ANNOYING INTERFERENCE, USE THE RECOMMENDED ACCESSORIES ONLY.

**WARNING:**

TO REDUCE THE RISK OF FIRE OR SHOCK HAZARD, DO NOT EXPOSE THIS EQUIPMENT TO RAIN OR MOISTURE.

**FCC Note:**

This device complies with Part 15 of the FCC Rules. To assure continued compliance follow the attached installation instructions and do not make any unauthorized modifications.


This equipment has been tested and found to comply with the limits for a class A digital device, pursuant to Part 15 of the FCC Rules. These limits are designed to provide reasonable protection against harmful interference when the equipment is operated in a commercial environment. This equipment generates, uses, and can radiate radio frequency energy and, if not installed and used in accordance with the instruction manual, may cause harmful interference to radio communications. Operation of this equipment in a residential area is likely to cause harmful interference in which case the user will be required to correct the interference at his own expense.



**ATTENTION:**

The product you have purchased is powered by a nickel cadmium battery which is recyclable. At the end of its useful life, under various state and local laws, it is illegal to dispose of this battery into your municipal waste stream. Please call 1-800-8-BATTERY for information on how to recycle this battery.

Replace battery with parts No. CR2032 or BR2032. Use of another battery may present a risk of fire or explosion. Caution—Battery may explode if mistreated. Do not recharge, disassemble or dispose of in fire.

 indicates safety information.

# Table of Contents

---

<b>Precaution for Use</b> .....	5
<b>Features</b> .....	5
<b>Points to be borne in mind</b> .....	5
<b>System chart</b> .....	6
<b>Parts and their functions</b> .....	7–12
<b>14X power zoom lens (option)</b> .....	13, 14
<b>Viewfinder displays</b> .....	15-18
LED displays .....	15
Character displays .....	15
Error message displays.....	16, 17
<b>Preparations</b> .....	18–34
● <b>Attaching the peripheral units</b> .....	18–30
Attaching the lens.....	18
Mounting the viewfinder .....	19
Removing the eye cup.....	20
Adjusting the eyepiece position.....	20
Adjusting the eye cup position.....	20
When using a battery pack made by Anton Bauer .....	21
When using the AU-BP402 battery pack.....	22–24
When using the NP-1B battery made by Sony.....	25, 26
When using an AC power source (when using the AU-B110/AJ-B75 AC adaptor) .....	27
Attaching the microphone holder (option) .....	28
Mounting the unit onto a tripod.....	29, 30
Fastening the shoulder belt (option).....	30
Adjusting the shoulder pad position .....	31
● <b>Setting the date and time</b> .....	32, 33
● <b>Adjusting the viewfinder</b> .....	34
● <b>Adjusting the lens flange</b> .....	35
<b>Adjustments during shooting</b> .....	36–40
Camera posture .....	36
Camera movements.....	36
Exposure adjustment .....	37
Zooming .....	38
How to take close-ups.....	39
Light sources and color temperatures.....	40
<b>White balance adjustment</b> .....	41, 42

<b>Normal recording</b> .....	43–45
Zebra pattern display .....	44
Gain settings .....	44
High-speed shutter .....	45
<b>Audio recording</b> .....	46
<b>Rec review</b> .....	47
<b>Retake</b> .....	47
<b>Still-picture playback</b> .....	47
<b>Menu items</b> .....	48–57
Setting procedure.....	48, 49
MAIN FUNCTION menu.....	50
AUDIO menu.....	51
VF DISPLAY menu.....	52
CAMERA SETTING menu .....	53
TIME/DATE menu .....	54
MAINTENANCE menu .....	55
SCENE data (news gathering data recording) .....	56, 57
<b>Replacing the back-up battery</b> .....	58
<b>Selecting the audio input</b> .....	59
<b>Tips on lighting</b> .....	60, 61
Studio lighting.....	60
Tips on outdoor shooting.....	61
<b>Phenomena inherent to CCD cameras</b> .....	61
Smear.....	61
Flicker.....	61
Moiré .....	61
White streaks .....	61
Picture roughness .....	61
<b>Troubleshooting</b> .....	62
<b>Condensation</b> .....	63
<b>Maintenance</b> .....	64
Cleaning the heads .....	64
Cleaning the lens .....	64
Cleaning the viewfinder.....	64
<b>Specifications</b> .....	65, 66

# Precautions for Use

---

## 1. Vibration

Avoid using this product in any location where it will be subjected to a great deal of vibration.

## 2. Ambient operating temperature

This product is designed to operate across a temperature range of 32°F to 104°F (0°C to +40°C). Adequate care should be taken when the product is operated outside this range since it may develop differences in interchangeability or it may not function properly, and its active service life will be shortened.

## 3. Rain, humidity and dust

Minimize operation in the rain or when the humidity level is high since condensation will form inside the product, thereby causing failures. Take care when using the product in very dusty locations since dust will find its way inside the product which, in particular, will cause a deterioration in its characteristics.

## 4. Sunlight

Do not point the lens in the camera section at the sun with the iris open. Neither should the viewfinder's eyepiece be pointed at the sun. Failure to heed this warning may cause malfunctioning inside the product.

## 5. Handling

Do not drop the product or subject it to impact. Failure to heed this warning will cause malfunctioning. Also, do not poke objects inside the product while the cassette cover is in the raised position.

## 6. Strong electrical and magnetic fields

Bear in mind that using this product in an extremely strong electrical or magnetic field may result in interference with the picture on the screen or with the sound.

# Features

---


**Compact and lightweight integrated camera/VTR unit with low power consumption**

## Camera with high picture quality

- Digital processing ensures that the high picture quality remains stable during prolonged use.
- A time code reader/generator is built into the unit.
- 1/3-inch interchangeable lenses are featured to enable top-quality operation.

## Other features

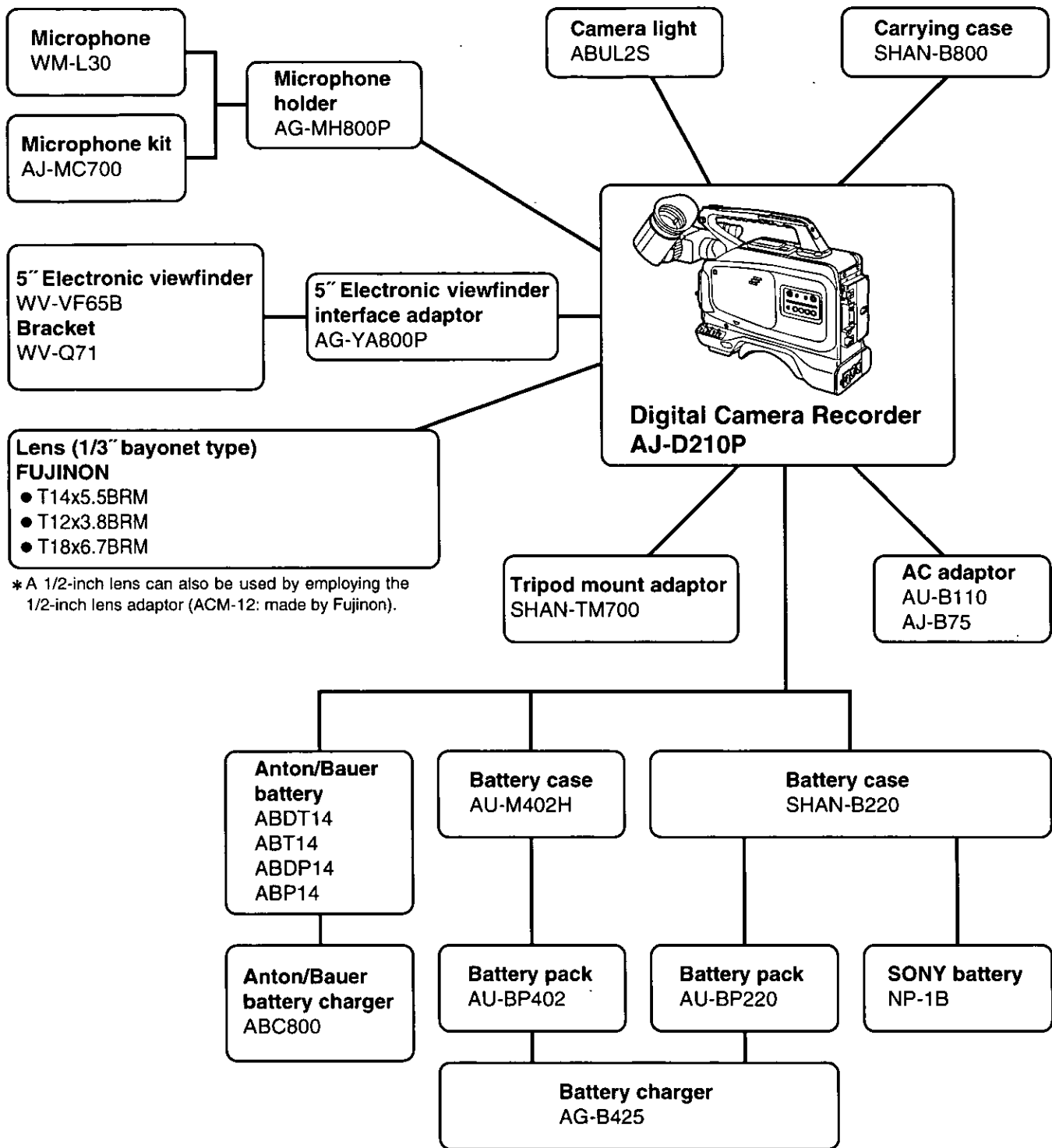
- The on-screen menu setting facility makes it easy to set a large number of functions.

\* Dolby noise reduction manufactured under license from Dolby Laboratories Licensing Corporation.  
\* "DOLBY" and the double-D symbol  are trademarks of Dolby Laboratories Licensing Corporation.

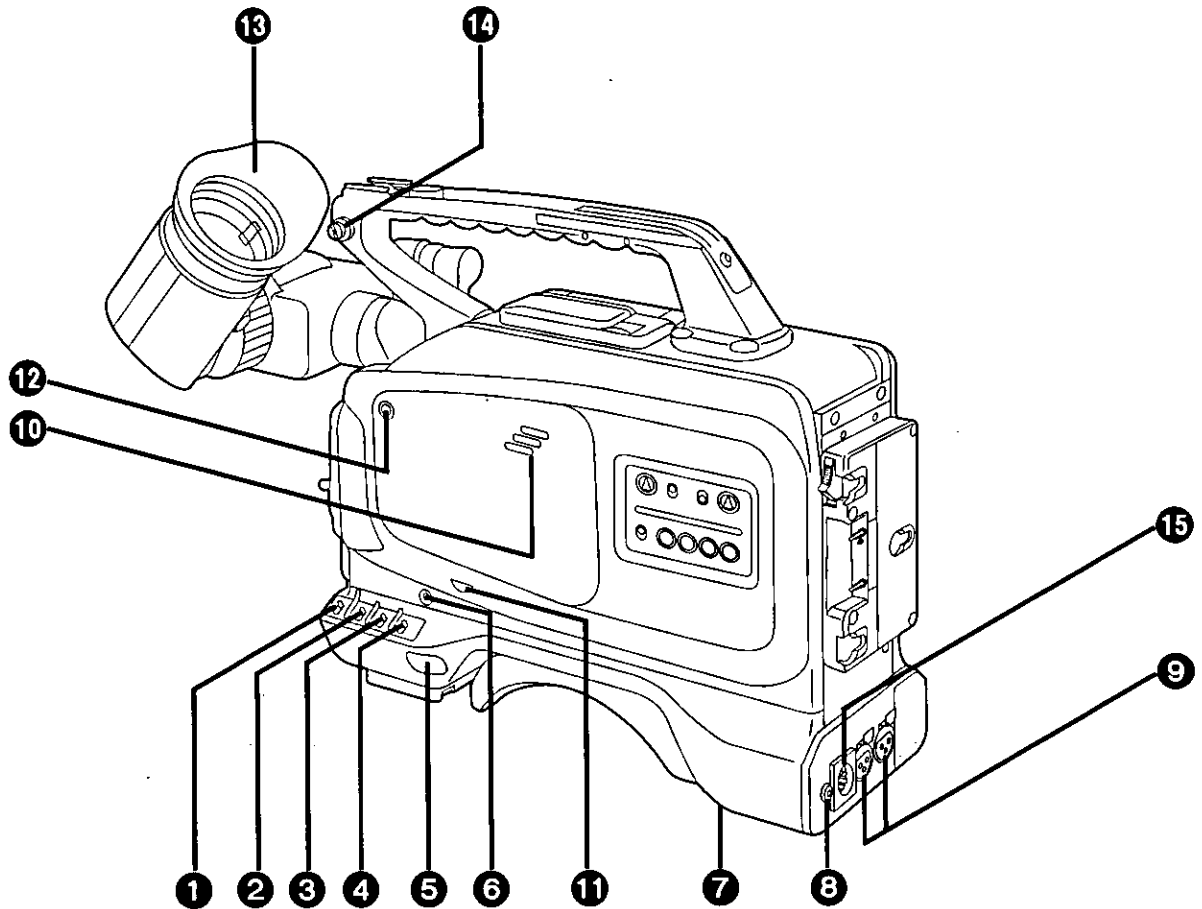
## CAUTION

- \* This camera/VTR product supports "L" size DVC PRO tapes only.  
Do not use consumer DV tapes or tapes of any other size.

# System chart



# Parts and their functions



## 1 GAIN selector switch

When the camera picture is too dark, increase the gain to brighten the picture by setting this switch.

**0dB:** The switch is normally kept at this position.

**6/9dB:** The gain of the camera's video amplifier is increased at this position. Select 6 dB or 9 dB on the on-screen menu first. For further details, refer to the menu items (on pages 48, 49 and 53).

**12/18dB:** The gain of the camera's video amplifier is increased at this position. Select 12 dB or 18 dB on the on-screen menu first. For further details, refer to the menu items (on pages 48, 49 and 53).

The amount of noise also increases when the gain is increased.

## 2 White balance selector switch

**MEMO:** When the AUTO W/B (WHITE/BLACK) BAL switch on the front panel is operated, the white balance is adjusted automatically, and the adjustment value is stored in the internal memory.

**PRST:** Although the preset mode was set to INDOOR when the unit was shipped from the manufacturing plant, there is a choice between three settings altogether on the on-screen menu. For further details, refer to the menu items (on pages 48, 49 and 53).

<b>OUTDOOR</b> 5000K	<b>INDOOR</b> 3200K	<b>FLUOR</b> 4500K
-------------------------	------------------------	-----------------------

**ATW:** This is the automatic tracking white balance mode.

### Note:

It may not be possible to attain the correct white balance under some types of lighting .

### 3 OUTPUT selector switch

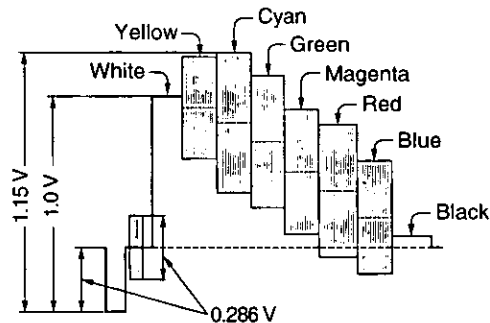
**CAM:** The video signals shot by the camera are output.

**BAR:** The color bar signals are output.

#### <Note>

Shown in the figure below are the output levels which are shown as color bar signals by this unit.

It should be noted that these are not SMPTE color bars.



### 4 SHUTTER switch

This is the ON/OFF selector switch of the electronic shutter.

**OFF:** The electronic shutter does not work at this position.

**ON:** The electronic shutter is operational at this position.

**SELECT:** This position is used to change the speed of the electronic shutter. This is a non-locking switch. Each time it is operated, the shutter speed changes by one setting in the following sequence: 1/100 → 1/125 → 1/250 → 1/500 → 1/1000 → 1/2000 → 1/4000 → 1/8000. When the switch is operated at 1/8000, the speed returns to the 1/100 setting.

### 5 POWER switch

**ON:** All the functions of the camera VTR are made operational.

**OFF:** The power to the camera VTR is turned off.

### 6 MODE CHECK switch

This enables the settings of the camera's function switches to be checked in the viewfinder.

### 7 BREAKER switch

If trouble causes an excessively high current to flow inside the unit, the circuit breaker is tripped, causing the power to be turned off automatically to protect the unit.

Upon completion of inspection inside or repair work on the unit, push this button to the "in" position. The power will be turned on again provided that no trouble has occurred.

### 8 Earphone (PHONE) jack

This is the earphone (stereo) jack for monitoring the sound. When an earphone is connected, no sound will be heard from the speaker.

### 9 Audio input connectors

External microphones are connected here. Line input signals can also be connected by setting an internal switch to the corresponding position.

### 10 Speaker

The sound can be monitored through this speaker.

- The sound from the speaker is automatically cut off when an earphone is connected to the PHONE jack.
- The CH1 and CH2 sound is mixed and heard as the monitored sound.

### 11 Audio monitor level control

This volume control is used to adjust the sound when it is being monitored.

### 12 MARK/CANCEL button

This is the SCENE data function switch. For further details, refer to the SCENE data function section (on pages 56 and 57).

### 13 Viewfinder

### 14 Shoulder belt fitting

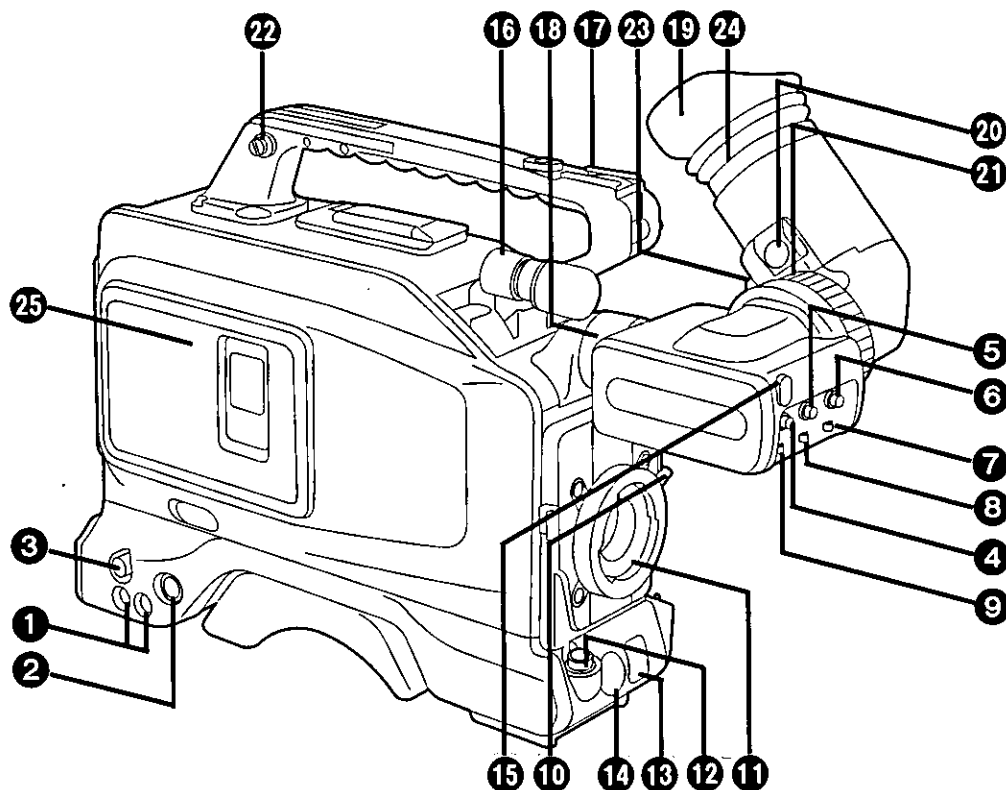
The shoulder belt is fastened here.

### 15 External DC input socket

This socket is for the external power (DC) supply. Connect an AC adaptor.

When the adaptor is connected, power is automatically supplied from the external power source.





**1 AUDIO OUT connectors (pin jacks)**

**2 S-VIDEO OUT connector (Y/C connector)**

**CAUTION:**

Bear in mind that if any action that involves playing back a tape on this VTR (such as REC CHECK or retake) is taken while a back-up VTR is connected to the S-VIDEO OUT connector to record pictures, the pictures played back by this unit will be recorded on the back-up VTR.

**3 VIDEO OUT connector (BNC)**

**CAUTION:**

Bear in mind that if any action that involves playing back a tape on this VTR (such as REC CHECK or retake) is taken while a back-up VTR is connected to the VIDEO OUT connector to record pictures, the pictures played back by this unit will be recorded on the back-up VTR.

**4 PEAKING control**

Turning this control sharpens the outlines of the images in the viewfinder to facilitate focusing. The control has no effect on the camera's output signals.

**5 CONTRAST control**

This is used to adjust the contrast of the images in the viewfinder. It has no effect on the camera's output signals.

**6 BRIGHT (brightness) control**

This is used to adjust the brightness of the images in the viewfinder. The images become brighter when it is turned clockwise. It has no effect on the camera's output signals.

**7 TALLY ON/OFF switch**

**ON:** The tally lamp on the front of the viewfinder lights.

**OFF:** The tally lamp on the front of the viewfinder does not light.

**8 ZEBRA (zebra pattern) ON/OFF switch**

**ON:** A zebra pattern is displayed in the viewfinder.

**OFF:** A zebra pattern is not displayed.

**9 CHARACTER ON/OFF switch**

This turns the character display ON or OFF.

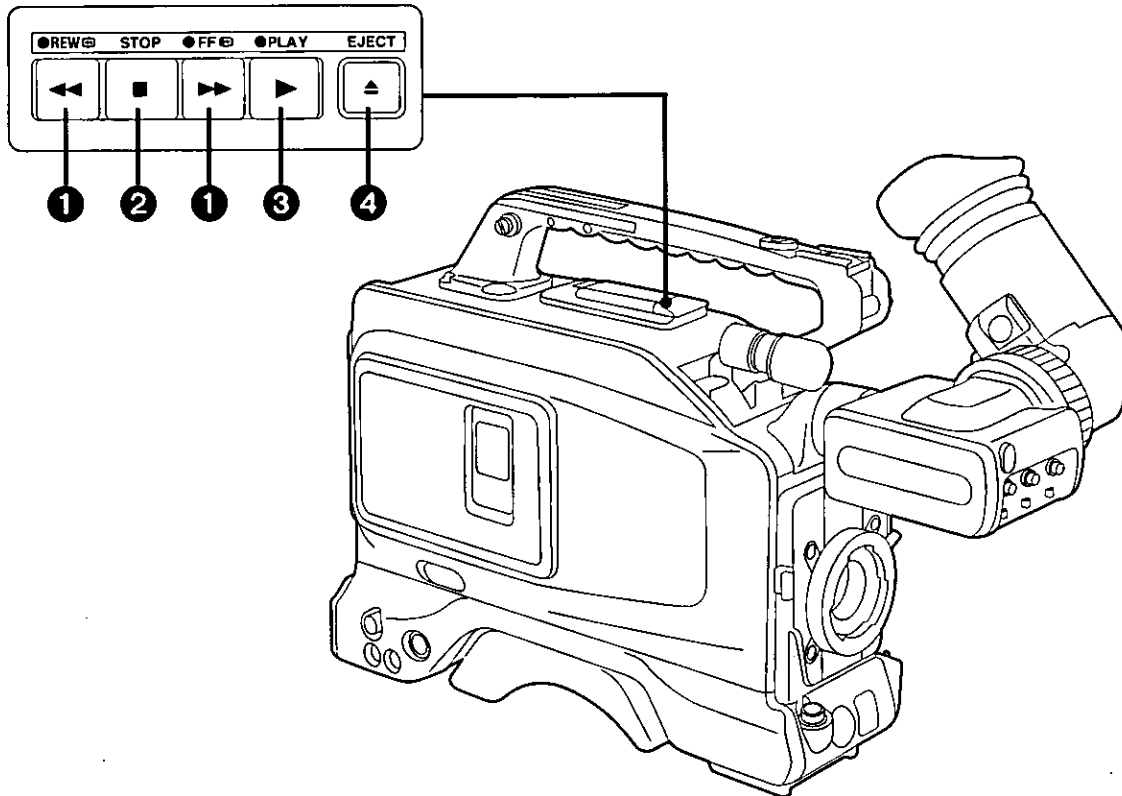
**ON:** Characters are displayed in the viewfinder.

**OFF:** Characters are not displayed in the viewfinder.

The color temperature display in the ATW mode and the SCENE data MARK will appear even when the CHARACTER ON/OFF switch is at the OFF position.

- 
- 10 Lens locking lever**  
After the lens has been attached to the lens mount, this lever is tightened up to lock the lens in position.
- 11 Lens mount (bayonet type)**  
This attaches the lens.
- 12 LENS connector (12-pin)**  
The connecting cord of the lens is connected here. For a detailed description of the lens to be used, read the instruction manual which accompanies the lens.
- 13 AUTO W/B (WHITE/BLACK) BAL switch**  
**AWB:** The white balance and black balance are automatically adjusted. When the white balance selector switch is set to the MEMO position and then the AUTO W/B BAL switch is operated, the adjustment value is stored in the unit's memory. Bear in mind that no operation results when the selector switch is set to the ATW or PRST position.
- 14 VTR START/STOP button**  
This is used to start or stop the recording.
- 15 TALLY lamp**  
This lights when the image shot by the camera is being recorded by the VTR. It lights or flashes in tandem with the TALLY lamp inside the viewfinder.
- 16 Microphone**  
This is a compact unidirectional microphone. A microphone with sharp directionality can be attached by replacing the microphone provided with the optional holder.
- 17 Accessory hole**  
A video light or other accessory is installed here.
- 18 Viewfinder locking ring**  
This is used to attach or remove the viewfinder. When the ring is loosened, the viewfinder can be rotated by 90 degrees and pointed upward.
- 19 Eye cup**
- 20 Eye cup unlocking lever**  
This is used to remove the eye cup. The eye cup is removed by moving the lever in the direction of the arrow and then sliding the eye cup free.
- 21 Viewfinder locking stopper**  
This is used to adjust the viewfinder's position. To adjust the position, loosen the stopper and move the viewfinder to the left or right. After having adjusted the position, tighten up the stopper to lock the viewfinder in place.
- 22 Shoulder belt fitting**  
The shoulder belt is fastened here.
- 23 Diopter control (bottom panel)**  
Adjust this to match your eyesight so that you can clearly see the images inside the viewfinder.
- 24 Eyepiece position adjustment ring**  
This enables the eyepiece position to be adjusted forward or backward when used in the unlocked status. Upon completion of the adjustment, set it to the LOCK status to lock the eyepiece in position.
- 25 Cassette holder**  
This is the slot where the cassette tape is loaded.

## Function buttons



### 1 REW (rewind)/FF (fast forward) buttons

- When the REW or FF button is pressed while the tape has stopped traveling, the tape is rewound or fast forwarded at the normal rewinding or fast forwarding speed in the E-E mode.
- When the REW or FF button is pressed while the tape is being played, the tape is reviewed or cued at approximately 4.5 times the normal tape speed.
- When the REW or FF button is pressed in the STILL or REC PAUSE mode, the tape is reviewed or cued at approximately 1 times the normal tape speed.

### 2 STOP button

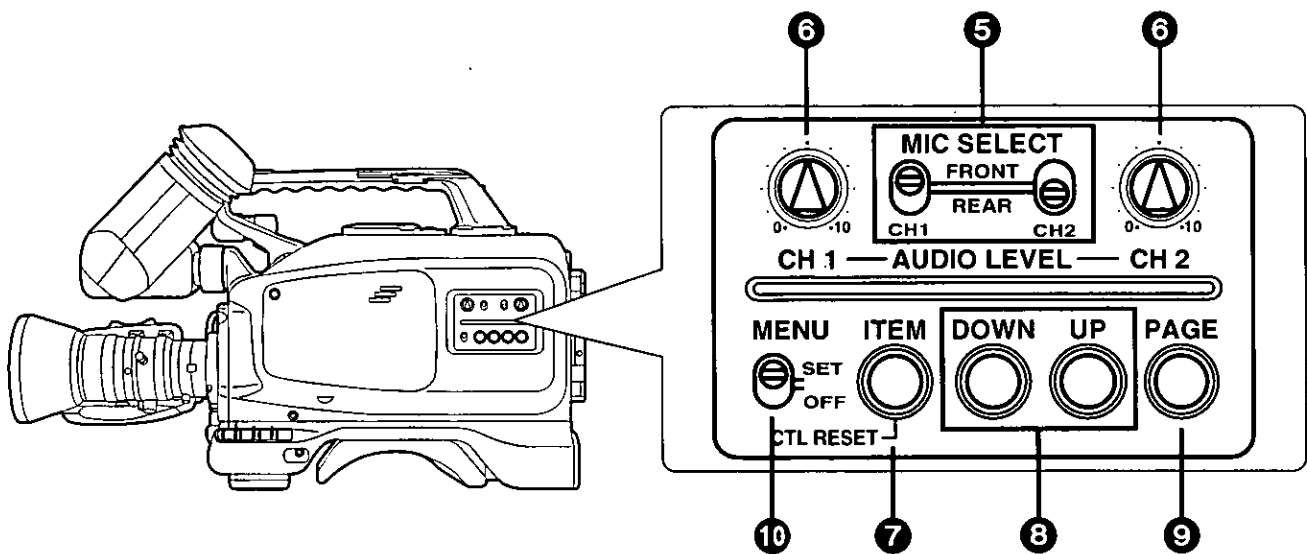
The tape stops traveling when this button is pressed. The button does not work during recording. To stop the tape during recording, first establish the REC/PAUSE mode and then press the STOP button.

### 3 PLAY button/lamp

When this button is pressed, play is commenced and its lamp lights. When it is pressed again, the STILL mode is established, and when it is pressed once more, the PLAY mode is established again.

### 4 EJECT button

When this button is pressed, the cassette holder rises, and the cassette tape can be loaded or removed. The button does not work when the VTR is in the REC mode. To eject a tape in the REC mode, first establish the REC/PAUSE mode and then press the EJECT button.



**5 Audio input selector (MIC SELECT) switches**

These switches are used to select the CH1 and CH2 audio input.

**FRONT:** Set to this position when recording audio signals from the microphone incorporated in the camera.

**REAR:** Set to this position when connecting external microphones to the audio input connectors (XLR 3P) on the rear panel and recording the audio signals from these microphones.

**6 Audio level controls**

These are used to adjust the CH1 and CH2 recording levels.

**7 ITEM button**

This is used to select menu items. When the 10 MENU switch is at OFF, it functions as the reset button for the CTL counter.

**8 DOWN and UP buttons**

These are used to make changes to the menu settings.

**9 PAGE button**

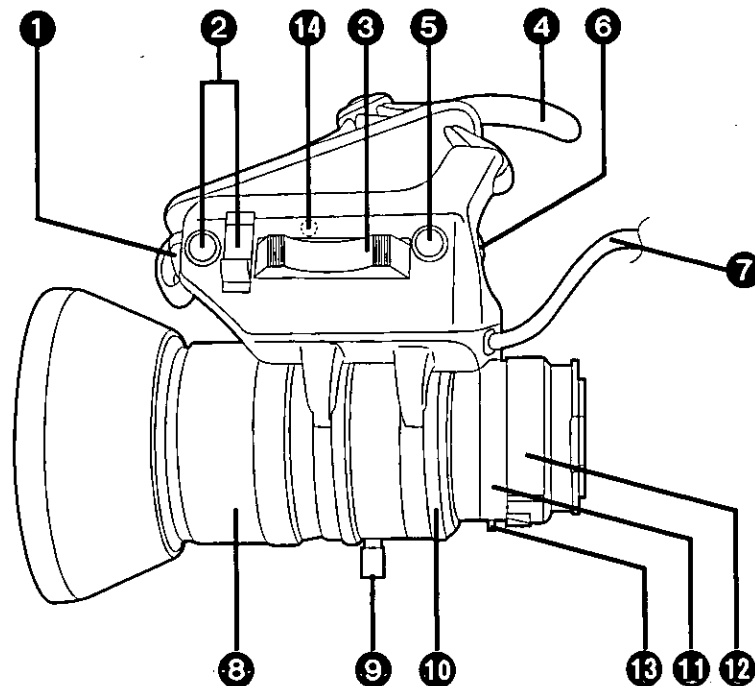
This is used to set the menu items.

**10 MENU SET/OFF selector switch**

**SET:** Set to this position when displaying or making changes to menu items.

**OFF:** The switch is normally kept at this position.

## 14X Power Zoom Lens (option)



### 1 Automatic iris control

This enables the automatic iris speed to be adjusted.

Removal of the rubber cap reveals the control inside. The speed is increasing by turning the control clockwise but take care not to turn it too far since hunting (continuous cycling) will occur.

This control must be adjusted when the lens has been replaced or when a lens has been mounted for the first time.

### 2 Lens iris selector switch (IRIS)

**(A) side:** The iris is adjusted automatically.

**(M) side:** Set to this position to adjust the iris manually.

### 3 Power zoom control switch

The zoom can be controlled electrically by setting the power/manual zoom selector switch to SERVO and then pressing the power zoom control switch. The zoom speed differs depending on the force with which the switch is pressed.

### 4 Hand strap

Adjust this to fit the size of your hand.

### 5 Return switch (RET, REC CHECK)

This switch is for checking a recording. When it is pressed in the recording pause mode, the recording check function is activated, the recorded section is played back, and then the recording is placed in the pause mode.

### 6 VTR start/stop switch

This switch provides easy manual access to starting and stopping the VTR recording. When it is pressed once, recording starts; when it is pressed again, it stops. When using this lens, the VTR can be controlled by this switch or the VTR start/stop switch on the camera.

### 7 Lens cable (12-pin)

This cable is to be connected to the LENS connector.

### 8 Focus ring

This ring is turned to focus the lens.

### 9 Zoom ring

To adjust the screen size, set the power/manual zoom selector switch to MANU, and turn this ring.

---

**10 Iris ring**

To adjust the iris, set the lens iris selector switch (IRIS) to M, and turn this ring.

**11 Flange back adjustment ring**

To adjust the flange back, loosen the flange back locking knob, and turn this ring. The ring must be adjusted when the lens has been replaced or when a lens has been mounted for the first time.

**12 Macro ring**

To take close-ups, set the lens all the way to the wide position, and turn this ring.

**13 Flange back locking knob**

Use this knob to lock the flange back after it has been adjusted.

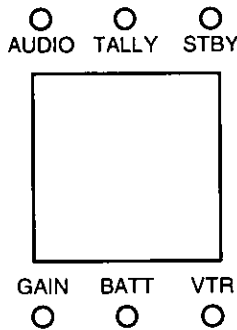
**14 Power/manual zoom selector switch**

When this switch is set to SERVO, the zoom can be adjusted using the power zoom control switch. When it is set to MANU, the zoom can be adjusted using the zoom ring.

**Also refer to the operating instructions accompanying the lens you have purchased.**

# Viewfinder displays

## LED displays



**AUDIO (yellow):** This is not used in this system.

**TALLY (red):** This lights during recording. It flashes as the tape is approaching the recording position from unloading or when trouble has occurred.

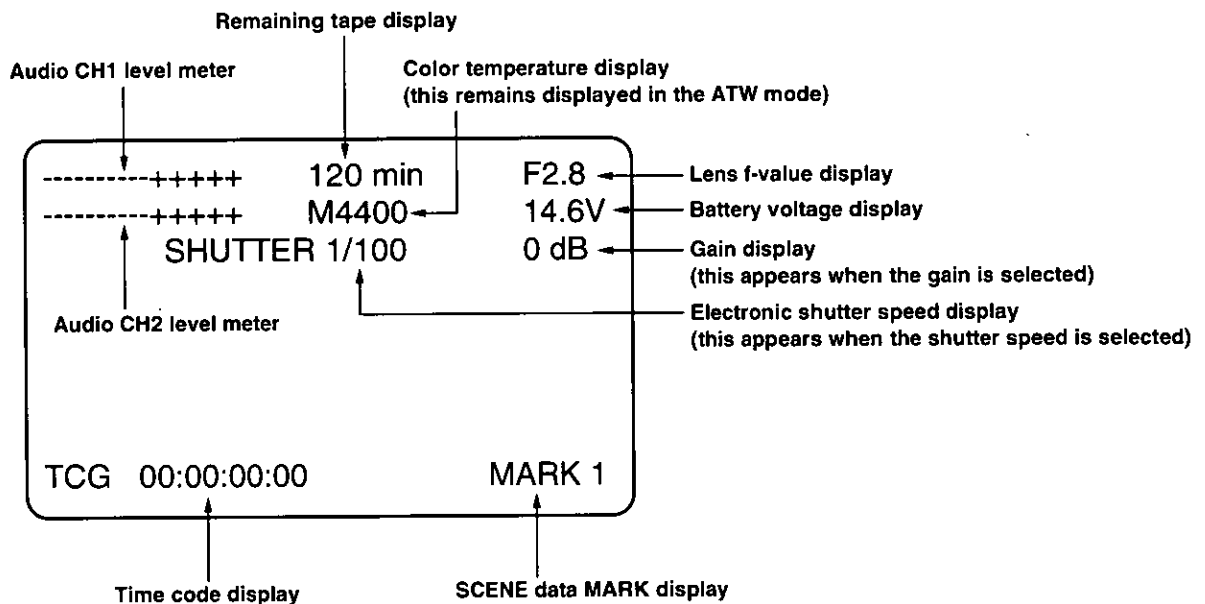
**STBY (green):** This is not used in this system.

**GAIN (yellow):** This lights when the camera gain is increased.

**BATT (yellow):** This flashes when the battery charge has dropped.

**VTR (yellow):** This lights or flashes when trouble has occurred in the VTR.

## Character displays



- These displays appear when the CHARACTER switch at the front of the viewfinder is set to ON.
- Each individual display can be turned off by setting the corresponding menu item.
- When the mode check switch has been pressed, the current statuses are displayed regardless of whether the individual displays have been set ON or OFF using the corresponding menu items or whether the CHARACTER switch is ON or OFF.
- The color temperature display in the ATW mode and the SCENE data MARK will appear even when the CHARACTER ON/OFF switch is at the OFF position.

## Error message displays

When an error occurs, an error message appears in the viewfinder.

There are two types of error messages: those which appear when the power is switched on, and those which appear during operation.

The tables given below indicate the causes and remedial action for the corresponding error messages.

### Error messages which appear when the power is switched on

Error display	Cause	Remedial action
BACKUP BATTERY EMPTY	This appears when the internal clock battery has run down.	Replace the unit's back-up battery. For the replacement procedure, refer to page 58, and consult with your dealer.
<b>Remarks:</b> A flat back-up battery will interfere with the clock and time code free run functions although all other functions will remain unaffected. Replace the back-up battery at the earliest possible opportunity. The BACKUP BATTERY EMPTY display will appear even when the power is turned back on immediately after the back-up battery was replaced. This is normal and not indicative of a malfunction.		
FLASH MEMORY EMPTY	This appears when garbage data in the built-in flash memory needs to be collected. A special memory called a flash memory is used inside this unit. It contains all the menu settings, white balance adjustment data and many other types of data. Due to the fact that this is a special memory, the old data no longer required when menu changes are made, for instance, are retained. Consequently, garbage memory contents such as these must be collected from time to time.	Proceed with garbage collection on the MAINTENANCE menu screen among the menu items. Refer to the menu items (on pages 48, 49 and 55).
<b>Remarks:</b> This display appears well ahead of time so there is no need to panic and initiate garbage collection immediately. The garbage collection processing takes some time (about 1 minute) so it should be done when there is a spare moment.		



## Error messages which appear during operation

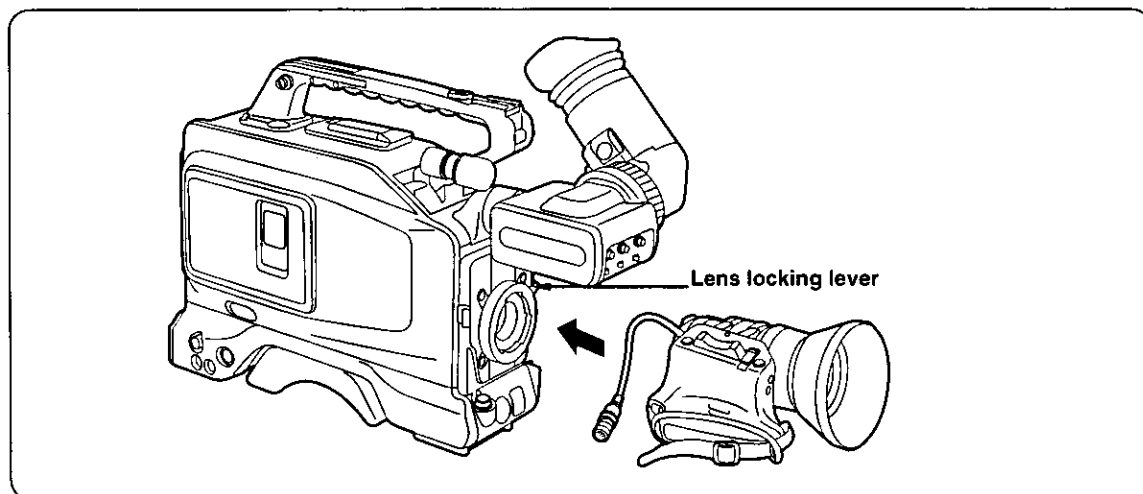
Error display	Cause	Remedial action
TOO BRIGHT ERROR	This appears when the white balance is to be adjusted (when the AUTO W/B BAL switch was operated) or when the screen is excessively bright.	Stop down the iris a little more, and adjust the white balance. If the error display remains, insert the electronic shutter or attach the ND filter.
TOO DARK ERROR	This appears when the white balance is to be adjusted (when the AUTO W/B BAL switch was operated) or when the screen is excessively dark.	Open the iris a little more, increase the gain (if this is warranted by the subject brightness), and adjust the white balance. If the error display remains, direct some light onto the subject.
LENS UNIT ERROR	This appears when the lens cable has been disconnected or when the lens iris control circuit has been damaged.	The cause is almost always a disconnected lens cable. If the display appears even when the cable is connected properly, consult with your dealer.
SELECT SW ERROR	This appears when the AUTO W/B BAL switch was operated with the white balance selector switch at a position other than MEMO.	Adjust the white balance (operate the AUTO W/B BAL switch) with the white balance selector switch at the MEMO position.
OUTPUT SW ERROR	This appears when the AUTO W/B BAL switch was operated with the OUTPUT switch at a position other than CAM.	Adjust the white balance (operate the AUTO W/B BAL switch) with the OUTPUT switch at the CAM position.
BLACK BAL ERROR	This points to a malfunction in the camera unit.	Consult with your dealer.
WHITE BAL ERROR TRY AGAIN	This appears when the white balance was not attained properly due to some condition or other.	If the TOOL BRIGHT ERROR, TOO DARK ERROR or LENS UNIT ERROR message has appeared, take the corresponding measure, and then try adjusting the white balance again. If the WHITE BAL ERROR TRY AGAIN message has appeared but the TOOL BRIGHT ERROR, TOO DARK ERROR or LENS UNIT ERROR message has not appeared, proceed to attain the white balance again. If the display still appears even after two or three attempts, consult with your dealer.
<b>Remarks:</b> The above errors are detected when the white balance is adjusted (when the AUTO W/B BAL switch has been operated). The LENS UNIT ERROR is also detected immediately after the power has been switched on.		
SERVO	This appears when an unrecorded part of a tape is played back or at other times when the VTR servo lock is disengaged.	It is normal for this display to appear with unrecorded parts of tapes. If the display appears during the playback of an obviously recorded tape or during recording, this points to a malfunction. Consult with your dealer.
HUMID	This signifies that condensation has formed. Refer to page 63 where detailed instructions can be found.	Refer to page 63 where detailed instructions can be found.
POWER OFF	This is not an error message. It is a warning which indicates that the power will be turned off very shortly.	

# Preparations

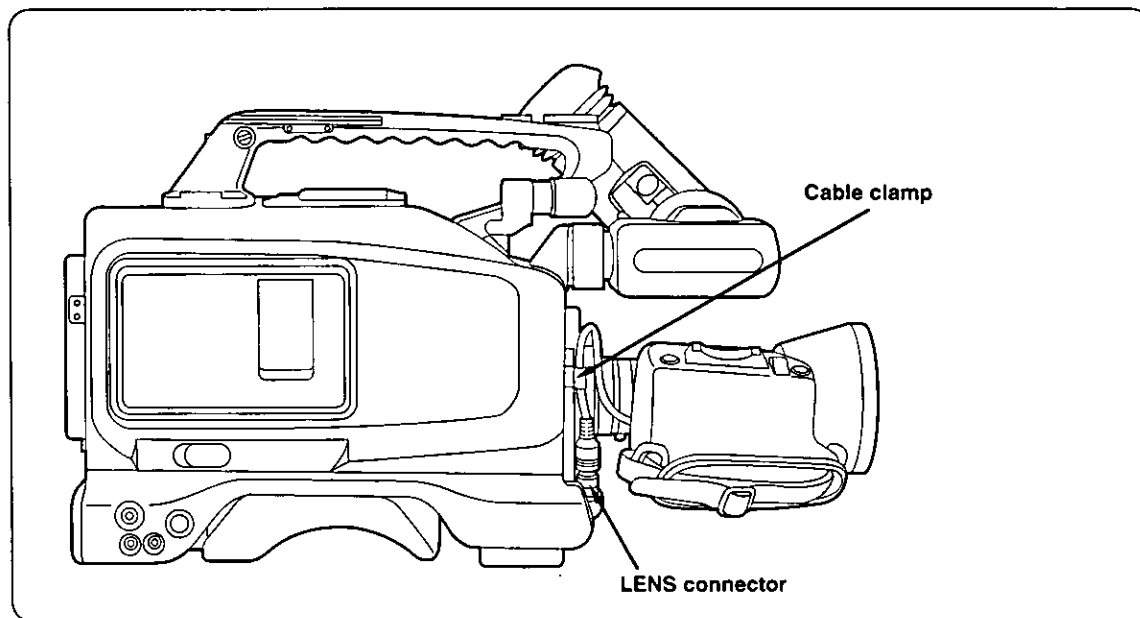
## ■ Attaching the peripheral units

### Attaching the lens

- 1** Position the lens, insert it, and lock it in place using the lens locking lever.



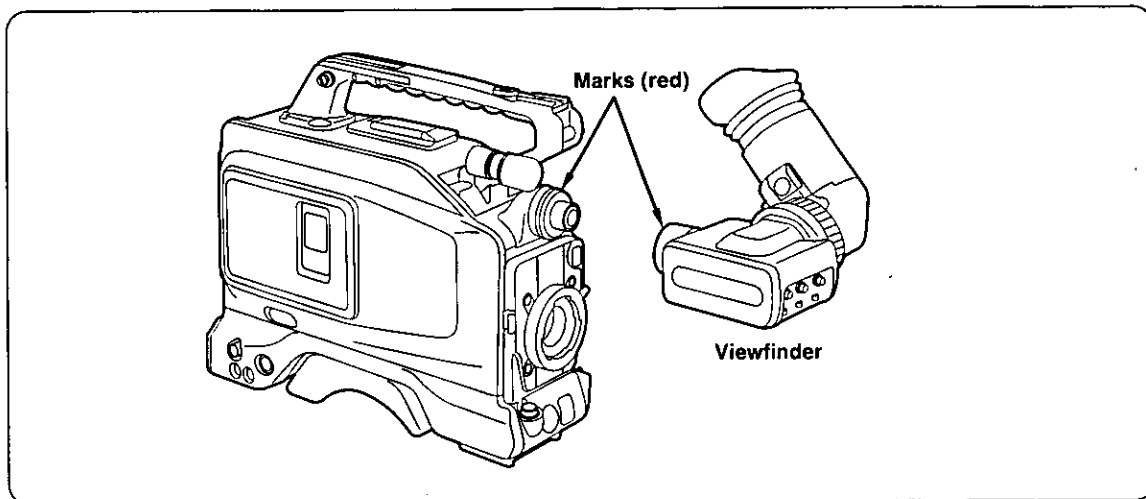
- 2** Connect the cord to the LENS connector, and secure it using the cable clamp.



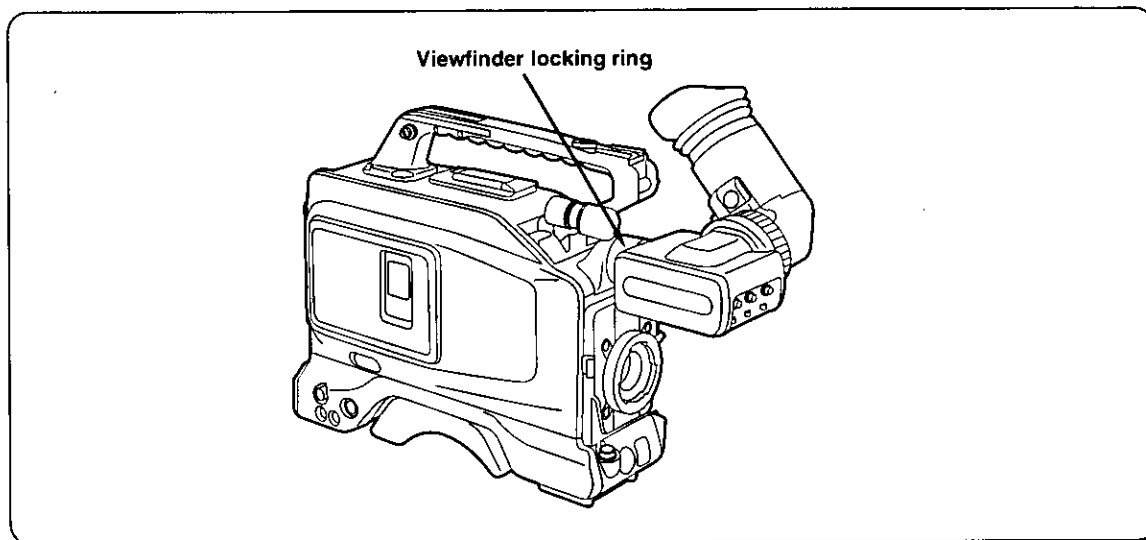
- Notes:**
- Refer to the operating instructions accompanying the lens for details on handling the lens.
  - Attach the lens cap to protect the unit when the lens has been removed.

## Mounting the viewfinder

**1** Align the positions of the marks (red), and fit into place.

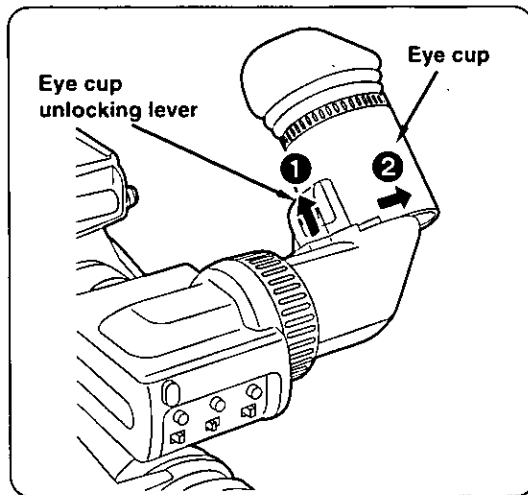


**2** Turn the viewfinder locking ring to lock the viewfinder into place.



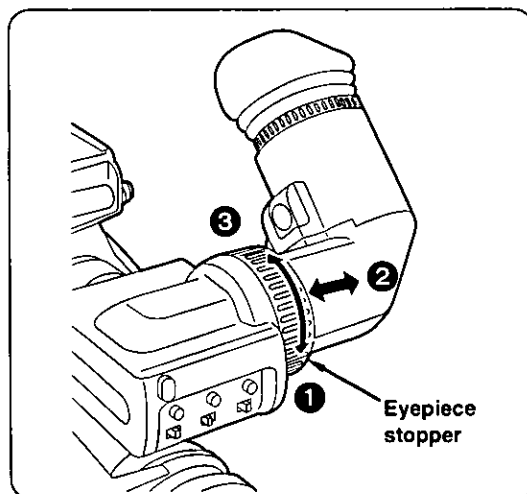
The viewfinder can be turned by 90 degrees by loosening the locking ring.

## Removing the eye cup



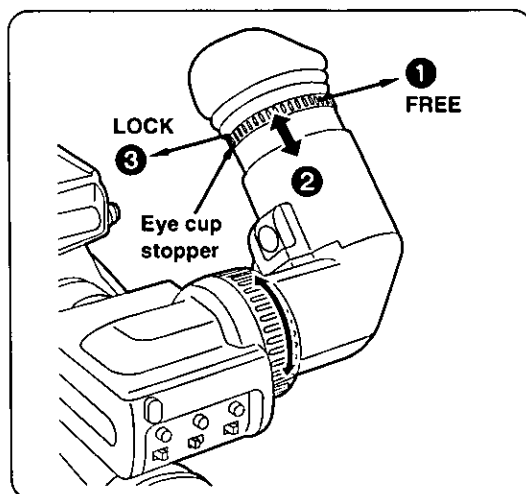
- 1 Move the eye cup unlocking lever in the direction indicated by the arrow.
- 2 Slide the eye cup in the direction indicated to remove it.

## Adjusting the eyepiece position



- 1 Set the eyepiece stopper to FREE.
- 2 Move the eyepiece toward the left or right to a position which affords the easiest viewing.
- 3 Tighten the eyepiece stopper.

## Adjusting the eye cup position



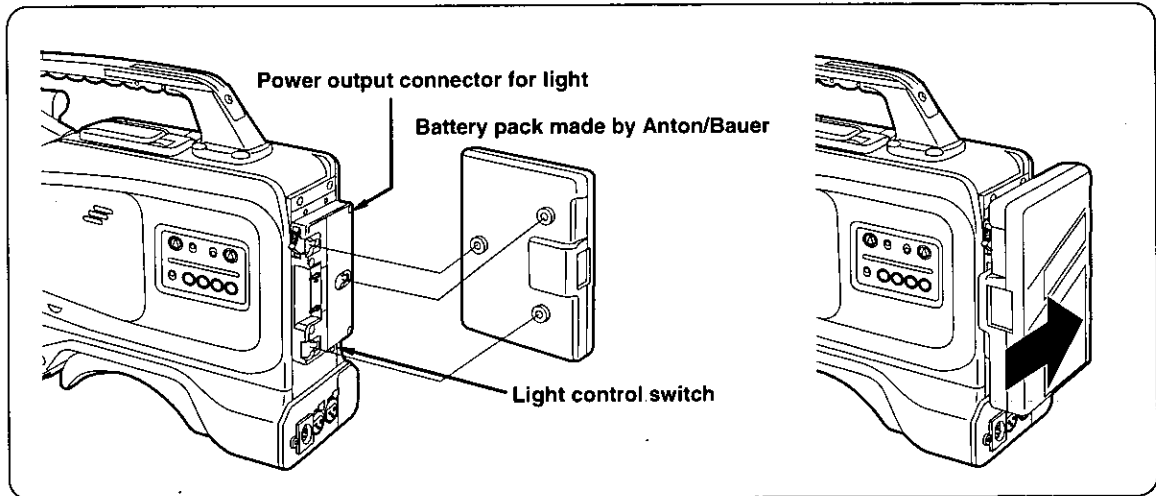
- 1 Set the eye cup stopper to FREE.
- 2 Adjust the eye cup by moving it toward you or away from you.
- 3 Set the eye cup stopper to LOCK to lock the eye cup in place.

## When using a battery pack made by Anton/Bauer

Before using the battery pack, charge it using the special battery charger made by Anton/Bauer. For the charging time and other details, refer to the operating instructions of the battery charger used.

### 1 Attach the battery pack made by Anton/Bauer.

Insert it in the direction indicated by the arrow and slide it into place.



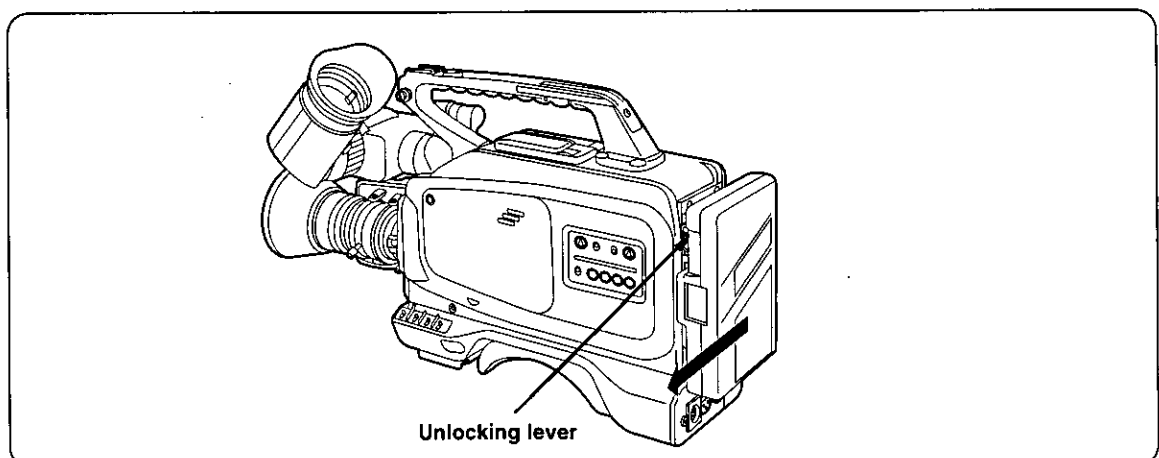
- Provided on the battery holder made by Anton/Bauer are a power output connector for a light and a light control switch. A light can be easily attached. For details on lighting systems, consult an Anton/Bauer representative.

### 2 Set menu item 7. BATTERY (BATT.SELECT) to the battery which is to be used.

For further details, refer to the menu items (pages 48 to 50).

#### Remarks: ■ To remove the battery pack

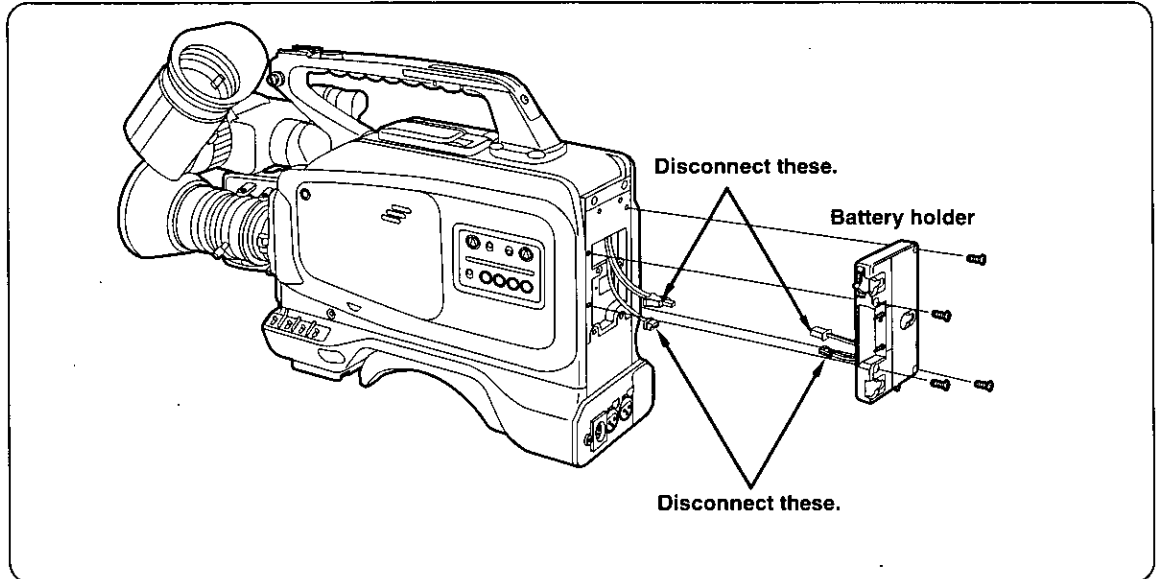
While holding the unlocking lever on the battery holder all the way down, slide the battery pack in the direction indicated by the arrow.



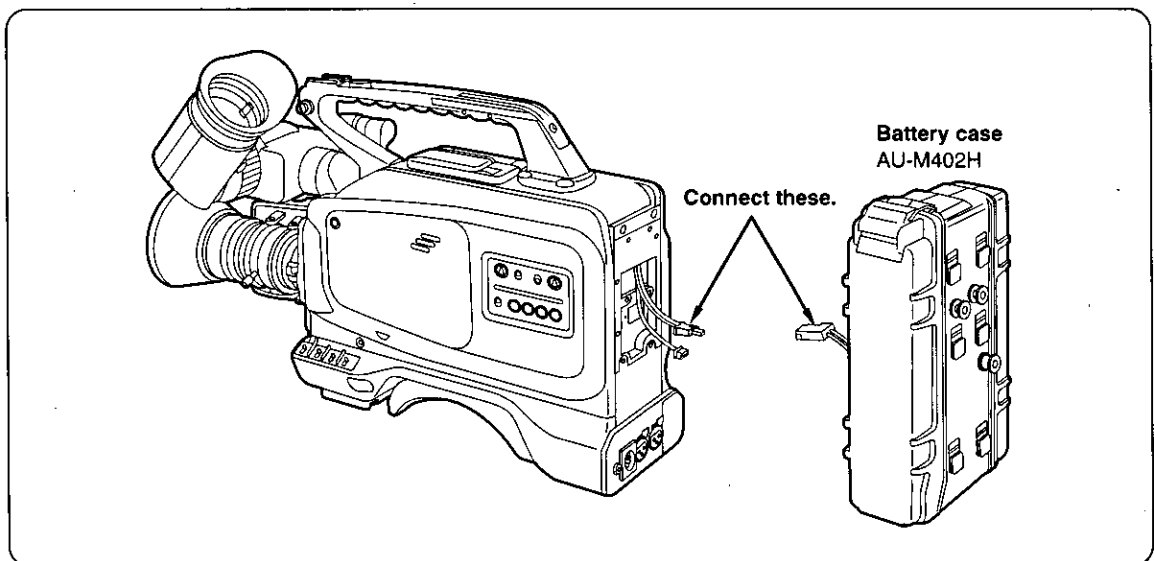
## When using the AU-BP402 battery pack

Charge the AU-BP402 battery pack using the AG-B425 battery charger. It takes about an hour to charge the battery pack. For further details, refer to the operating instructions accompanying the AG-B425 battery charger.

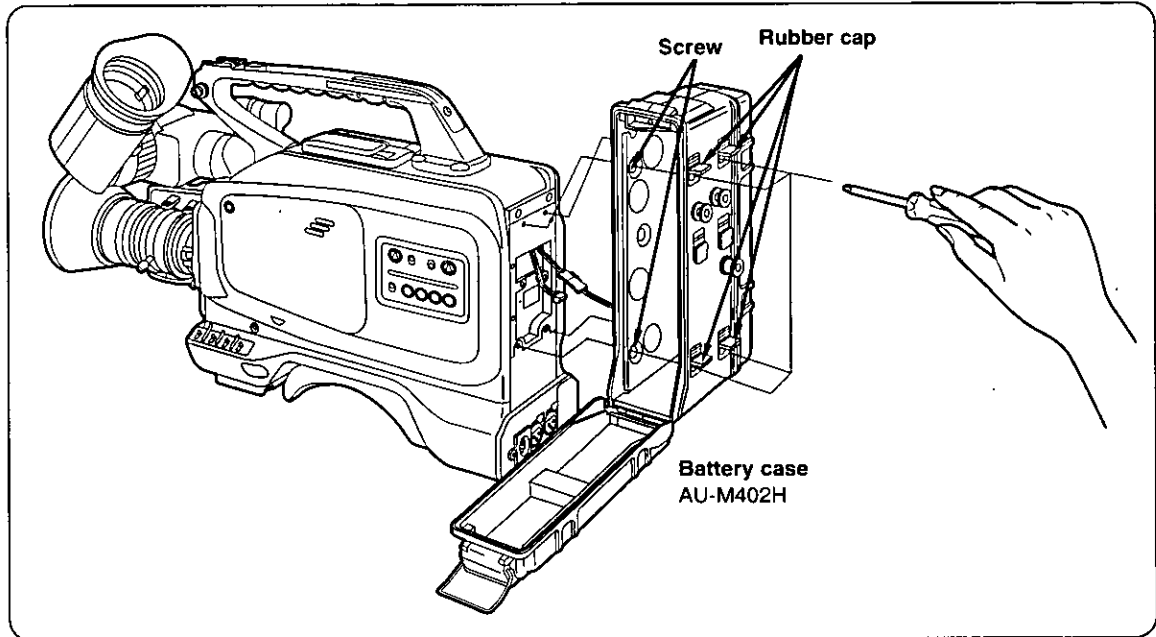
### 1 Remove the battery holder.



### 2 Connect the unit's cables to the AU-M402H battery case cables.



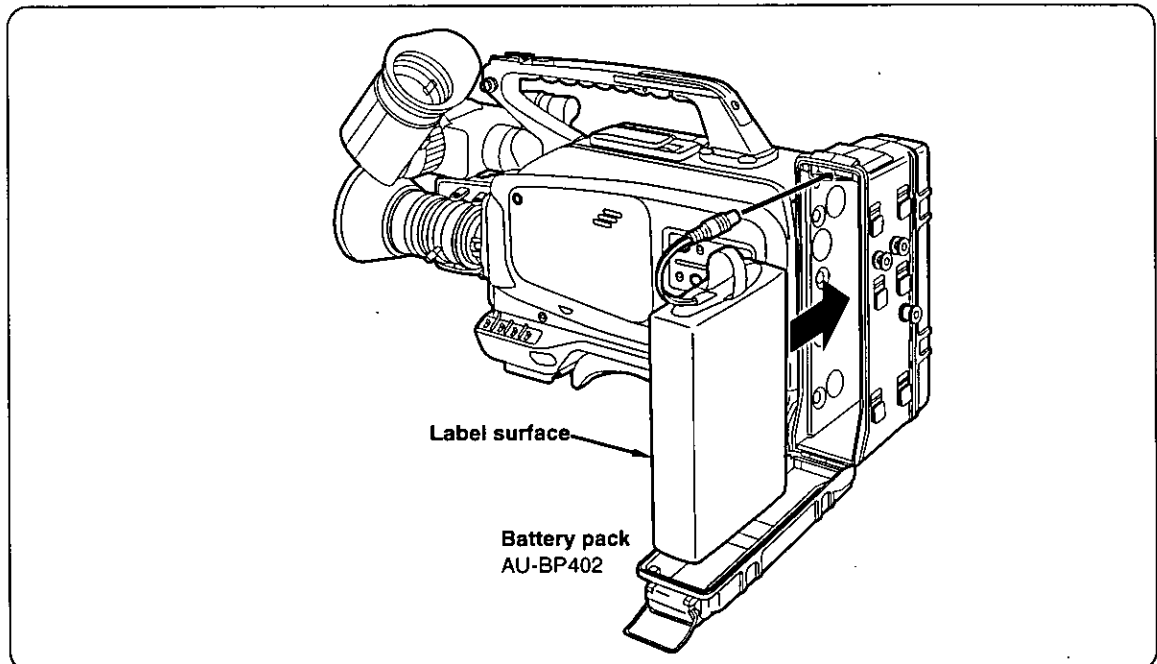
**3** Mount the AU-M402H battery case onto the unit using a screwdriver.



Holes with the screws recessed inside can be seen when the cover is opened and the rubber caps are lifted. Tighten up these screws using a screwdriver so that the battery case is mounted onto the unit. Tighten the screws up all the way.

**CAUTION:** Do not pull the rubber caps with too much force.

**4** Connect the plug of the battery pack to the connector inside the battery case, and install the battery pack inside the case.



**CAUTION:** The unit's power must be turned off before the plug is connected or disconnected.

---

## 5 Set menu item 7. BATTERY (BATT.SELECT) to NiCd12V.

### Menu item screen (viewfinder)

- MAIN FUNCTION -	
TCG CLEAR	
RECRUN/FREERUN	: REC
DF/NDF	: DF
SCENE DATA SAVE	
SCENE DATA UNDEL	
→ BATT. SELECT	: NiCd12
BACK TALLY	: ON
MENU INITIALIZE	

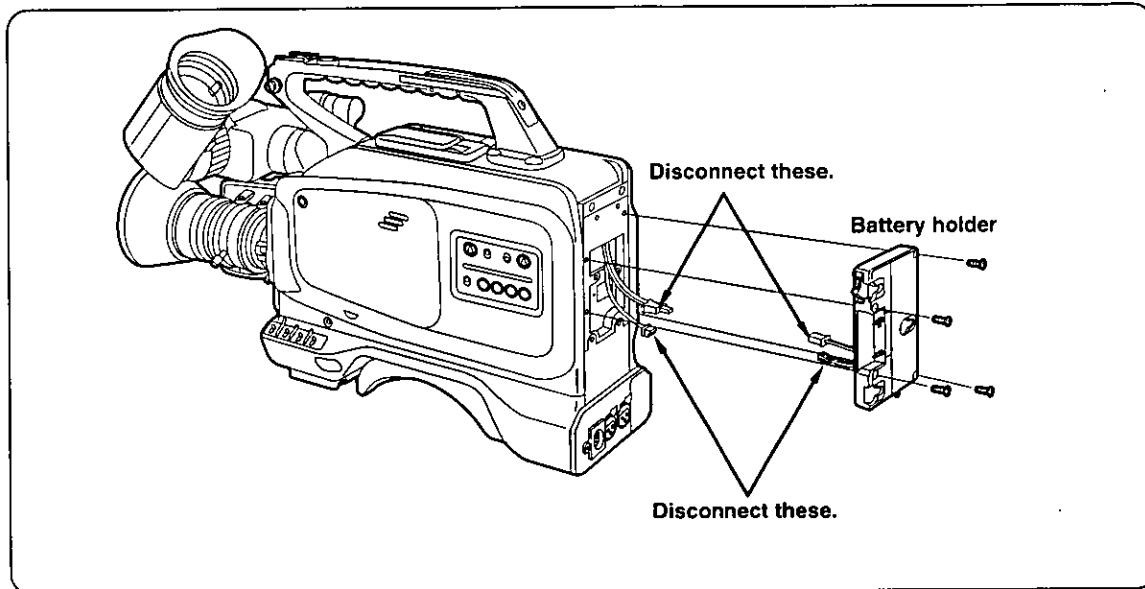
For further details, refer to the menu items (pages 48 to 50).



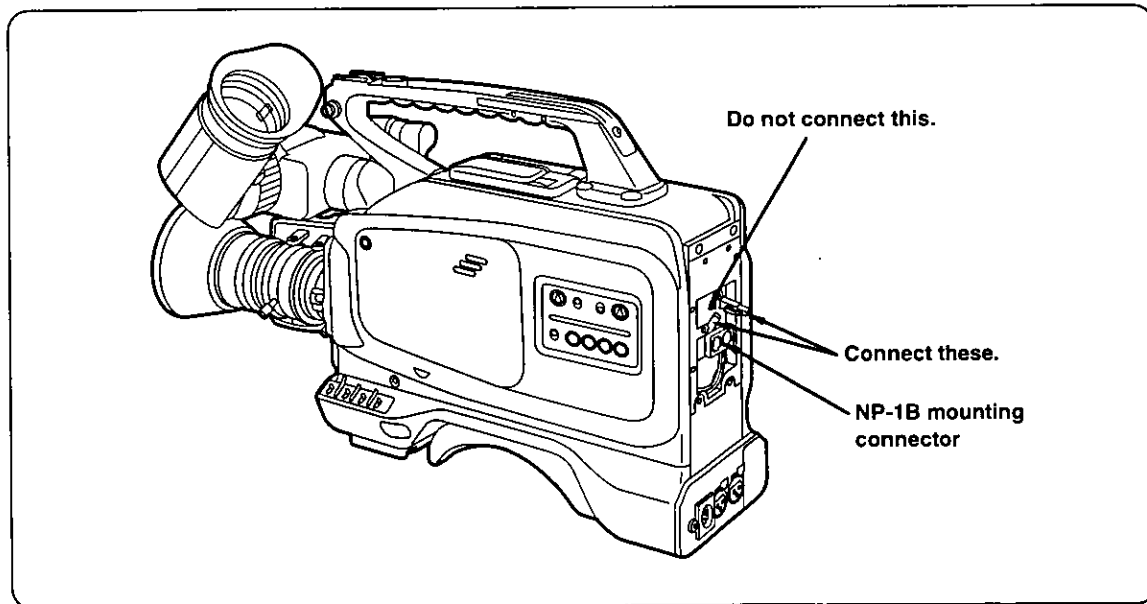
## When using the NP-1B battery made by Sony

Charge the NP-1B battery using the special battery charger made by Sony.  
For the charging time and other details, refer to the operating instructions accompanying the battery charger used.

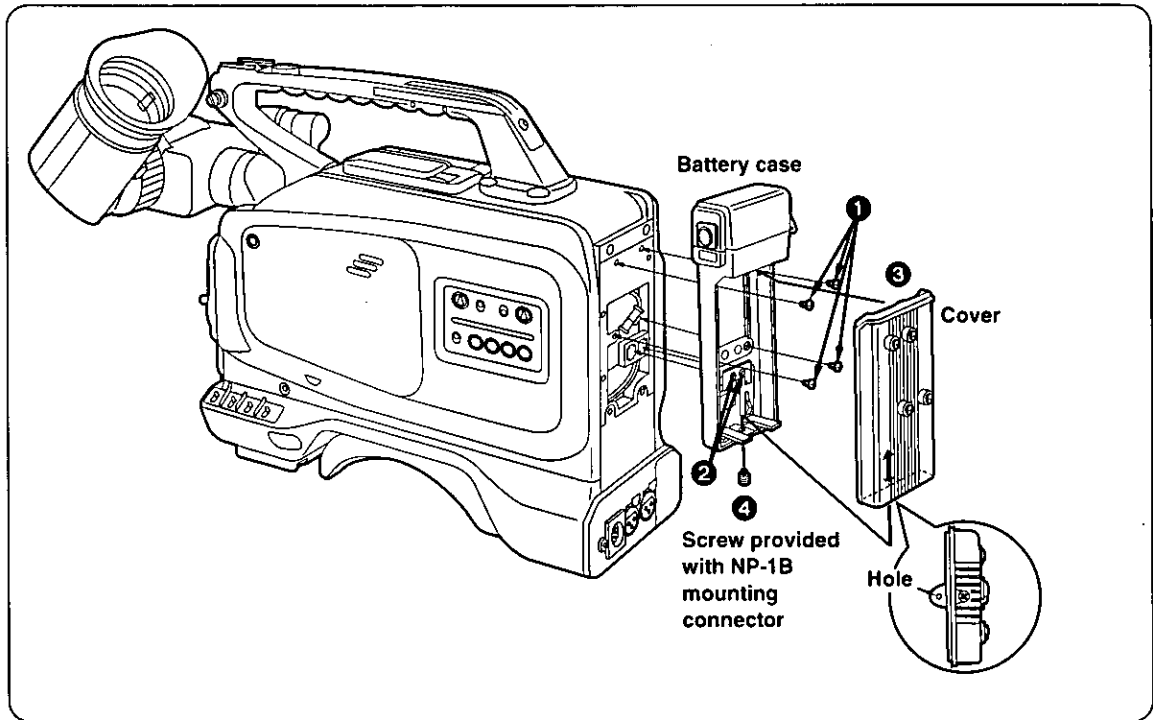
### 1 Remove the battery holder.



### 2 Attach the accessory NP-1B mounting connector.



### 3 Mount the battery holder made by Sony

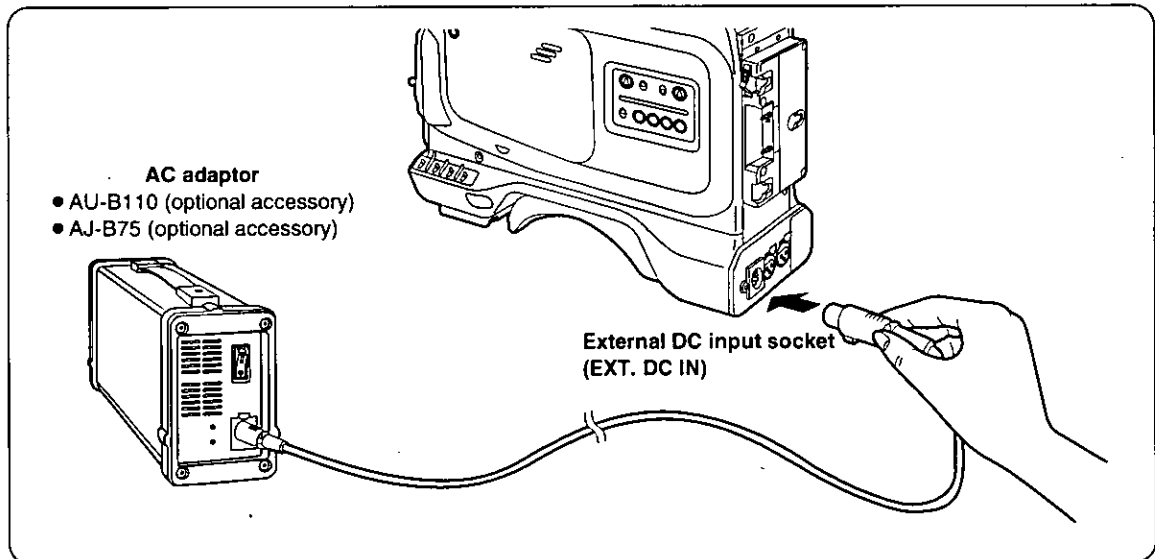


Before proceeding any further, remove the battery holder cover.

- ① Mount the battery case using the mounting screws.
- ② Tighten the power contact screw.
- ③ Insert the top of the cover in the direction indicated by the arrow.
- ④ Align the hole at the bottom (metal part) of the cover with the hole at the bottom of the battery case and mount the battery holder using the screw provided with the NP-1B mounting connector.

## When using an AC power source (when using the AU-B110/AJ-B75 AC adaptor)

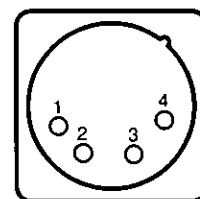
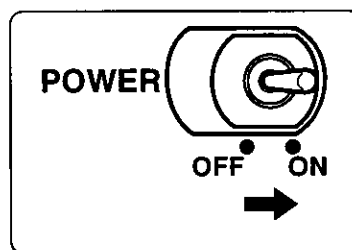
- 1 Connect the unit's external DC input socket to the DC OUT connector on the AU-B110/AJ-B75 AC adaptor.



- 2 Turn on the AC adaptor's power.

- 3 Set the unit's POWER switch to the ON position.

Check the pin signals of the external DC input socket when an external power source other than the AU-B110/AJ-B75 AC adaptor is to be used.



Pin No.	Signal
1	GND
2, 3	—
4	+12V

External DC input socket

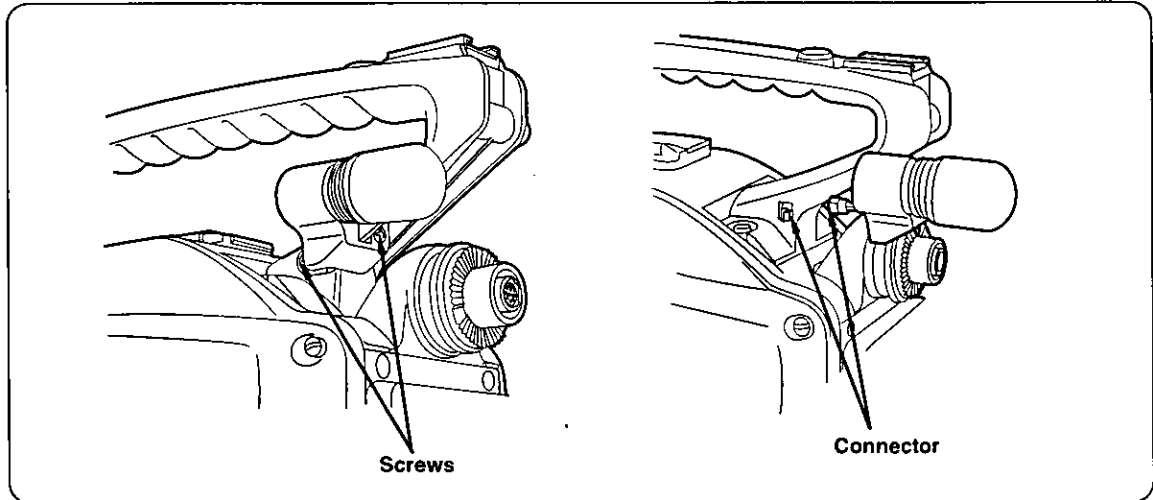
### NOTES:

- Priority is given to the power supplied from the AC adaptor when both a battery pack and AC adaptor have been connected.
- When the AC adaptor is used, the low battery warning may appear depending on the BATT.SELECT menu setting. If this happens, it is recommended that the Ni-Cd12V setting be used for BATT.SELECT.
- When the AC adaptor is used, the AC adaptor's power must be turned on before the unit's POWER switch is set to the ON position. If the POWER switch is set to ON first, the unit may malfunction since the AC adaptor's output voltage increases slowly after the power has been turned on.

## Attaching the microphone holder (option)

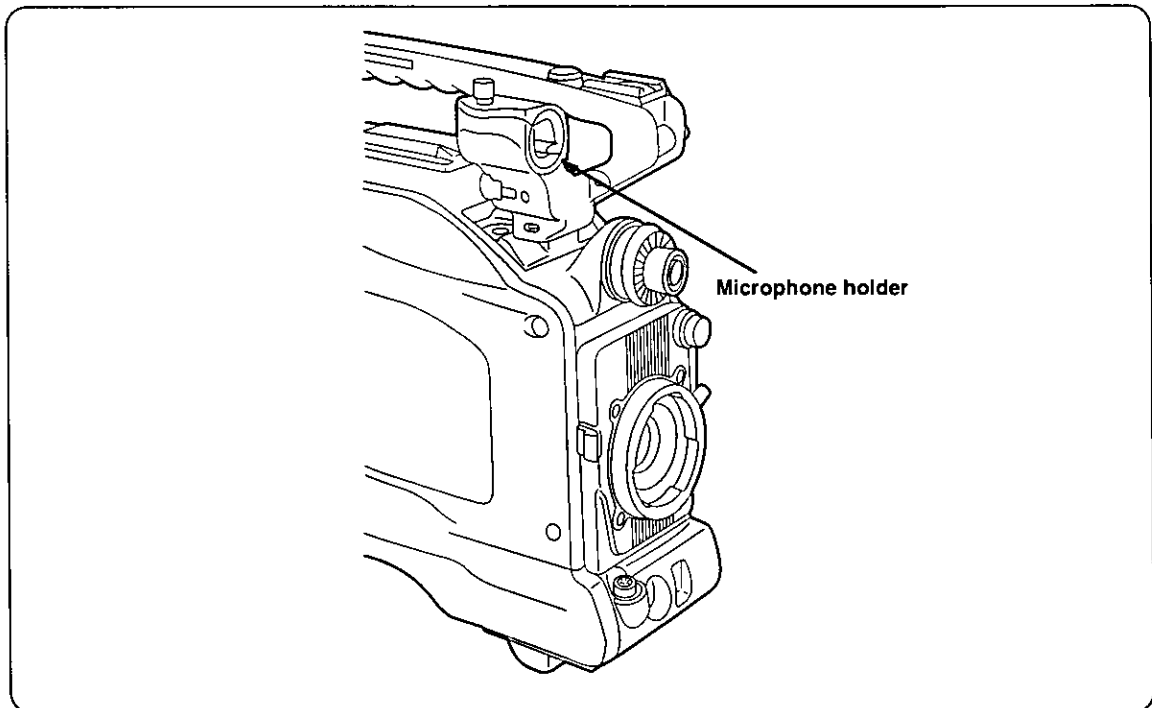
The AJ-MC700/WM-L30 or other optional microphone can be used in place of the microphone which accompanies the unit.

### **1** Remove the microphone on the main unit.



Remove the two screws to remove the connector and then remove the microphone.

### **2** Attach the microphone holder.

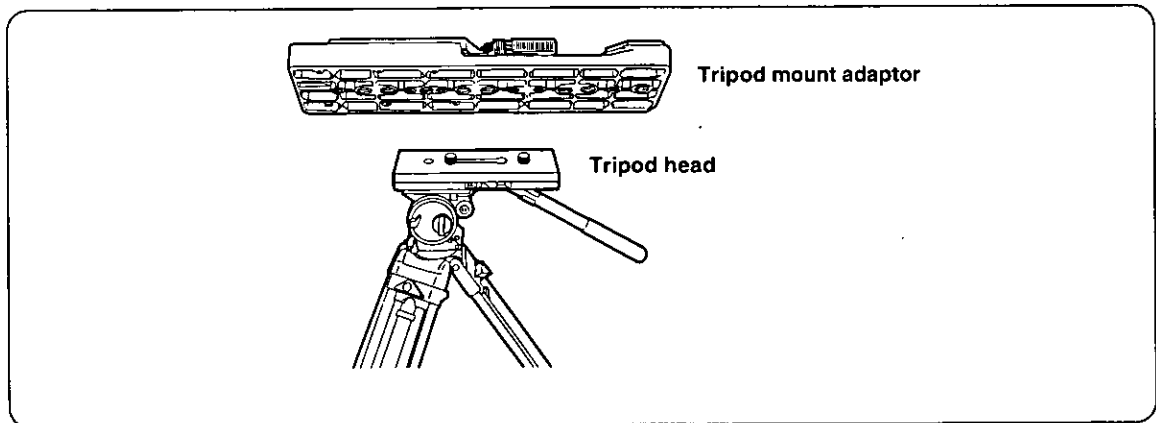


The microphone holder is attached by following the microphone removal procedure in reverse.

## Mounting the unit onto a tripod

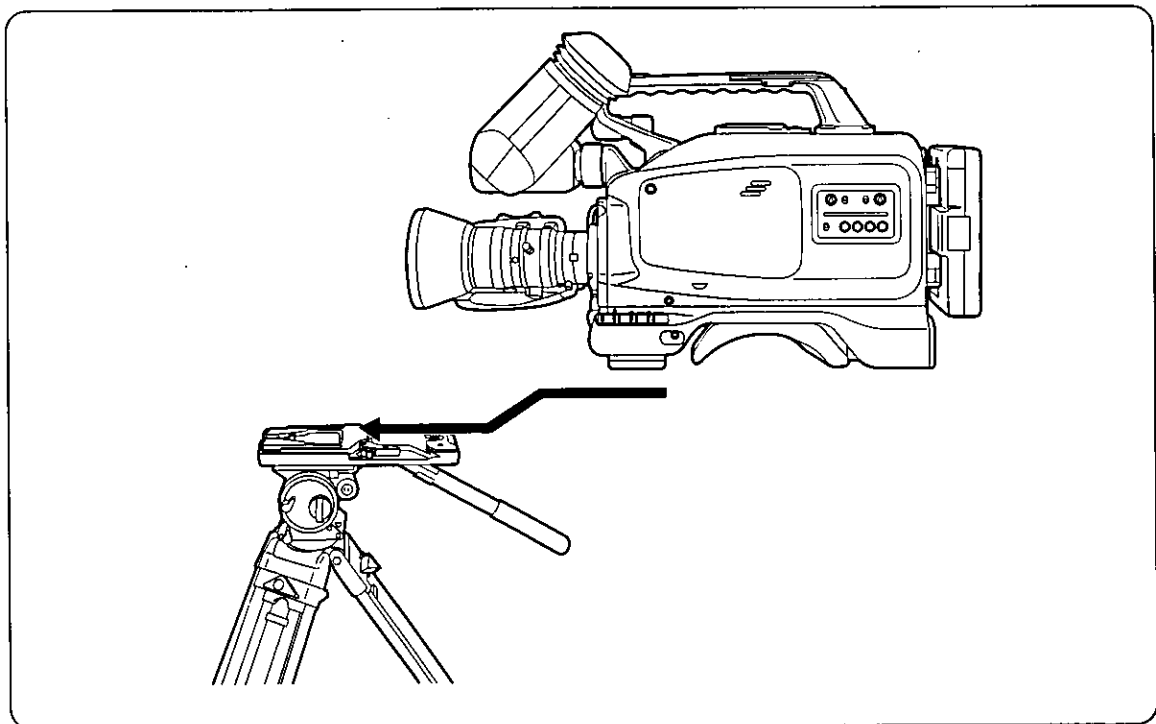
The tripod mount adaptor, which is sold separately, is used to mount the unit onto a tripod.

### 1 Attach the tripod mount adaptor to the tripod.



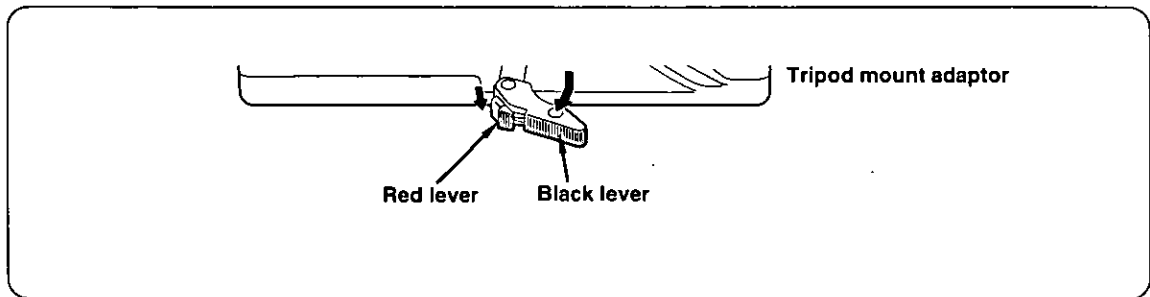
**NOTE:** Take the center of gravity of the unit and tripod mount adaptor into consideration when selecting the hole for the attachment. Also check that the diameter of the hole selected matches the diameter of the tripod head screw.

### 2 Mount the unit onto the tripod mount adaptor.



Slide the unit away from you along the groove until it clicks into position.

## Disengaging the unit from the tripod mount adaptor



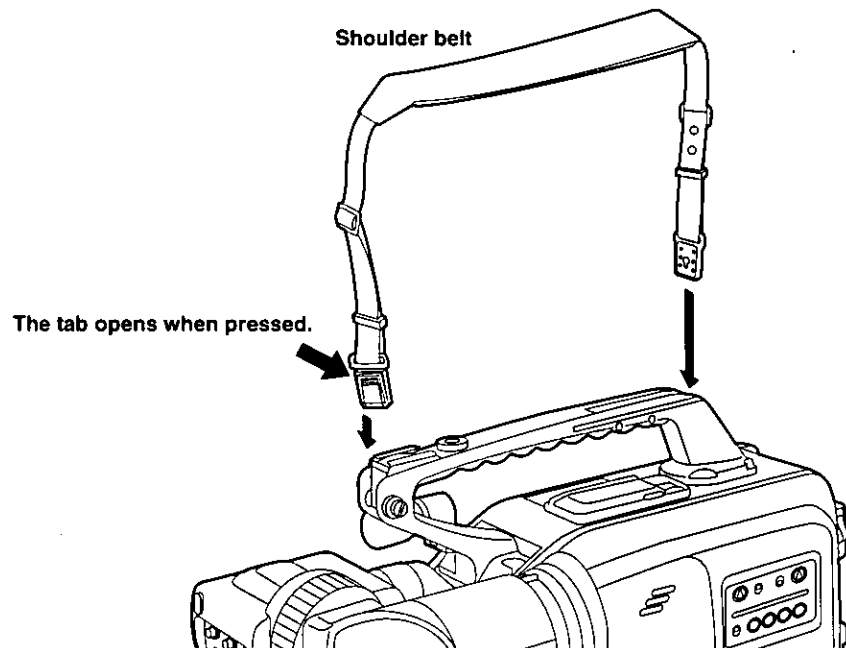
Move the black lever in the direction indicated by the arrow while holding down the red lever, and disengage the unit by sliding it toward you.

### NOTE:

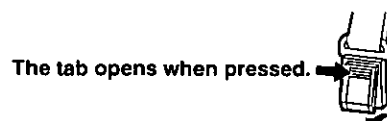
If the pin of the tripod mount adaptor fails to return to its original position after the unit has been disengaged, again move the black lever in the direction indicated by the arrow while holding down the red lever. This returns the pin to its former position.

Bear in mind that the unit cannot be mounted if the pin is left in the center.

## Fastening the shoulder belt (option)



To release the shoulder belt, open the tabs at both ends and disengage.



### NOTE:

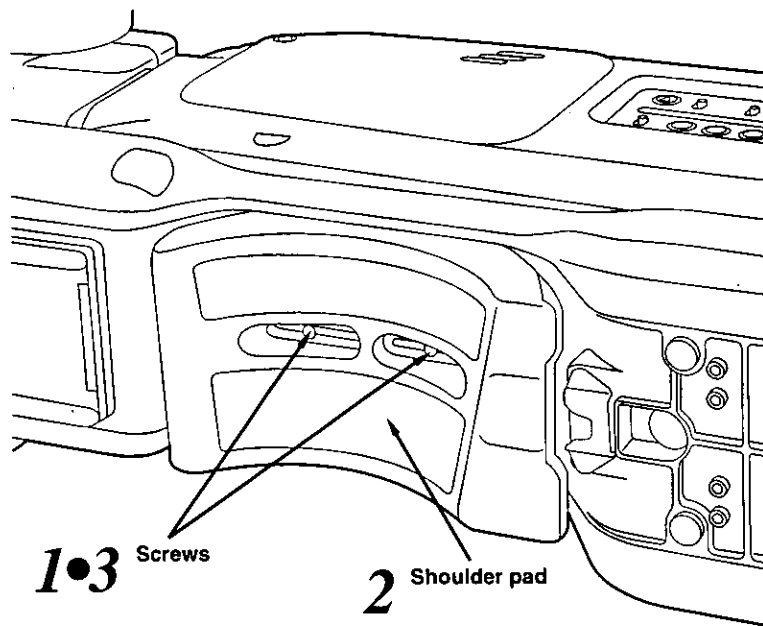
Check that the shoulder belt is securely fastened.

---

## Adjusting the shoulder pad position

The shoulder pad can be adjusted by sliding it in the forward or backward direction from its center position (shipment position) by up to 15 mm on either side. Adjust it to the position where you find it easiest to operate.

- 1** Loosen the two screws.
- 2** Slide the shoulder pad back and forth until you find the optimum position.
- 3** Tighten the screws and secure the shoulder pad.

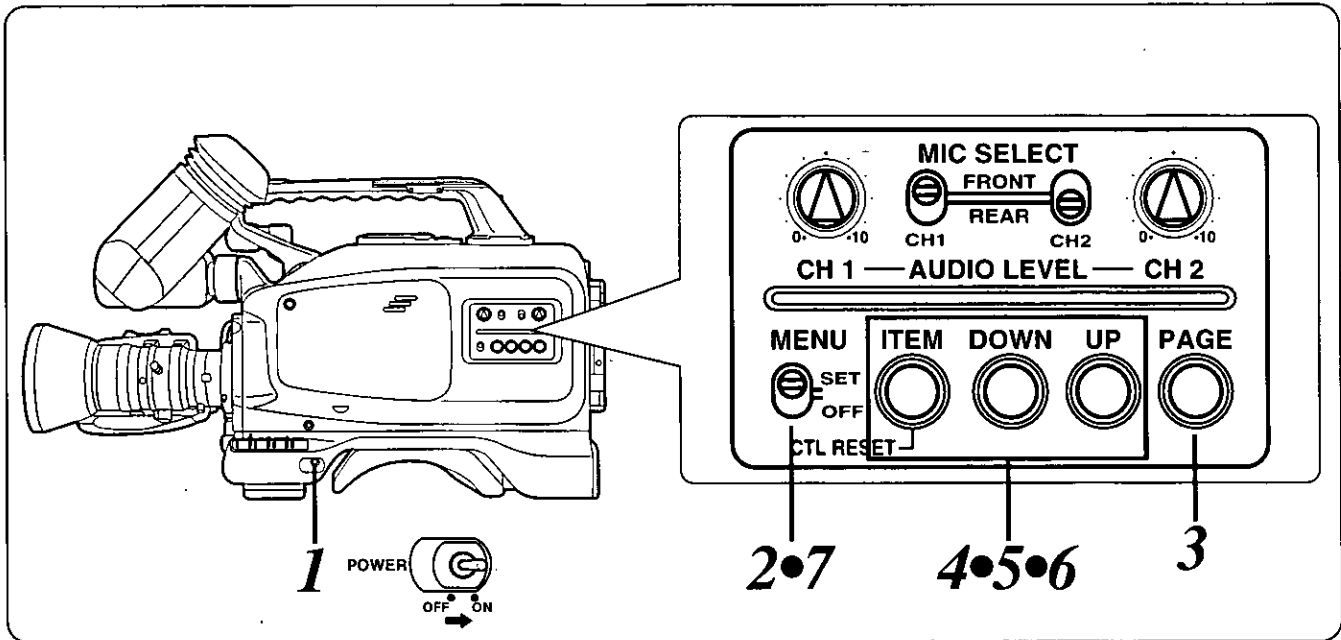


**Bottom section**

## ■ Setting the date and time

The first step to take after purchasing the unit is to set the date and time.

(With a DVCPRO VTR, the shooting date and time data is recorded separately from the images. In order for this data to be recorded correctly, first set the date and time.)



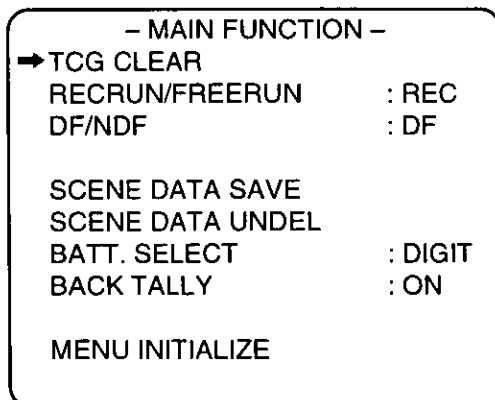
**1** Set the POWER switch to ON.

**2** The setting screen (MENU) appears in the viewfinder when the MENU SET/OFF selector switch is set to SET.

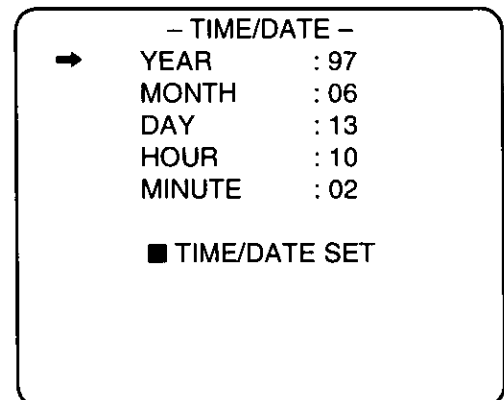
**3** While monitoring the viewfinder, press the PAGE button until the TIME/DATE screen appears.

### Setting screen (viewfinder)

(First setting screen for menu items)



Keep  
pressing  
the PAGE  
button.



Descriptions are also given in the menu items (on pages 48, 49 and 54).



---

**4** Set the date and time using the ITEM, UP and DOWN buttons.

**5** Keep pressing the ITEM button until the arrow indicates "■ TIME/DATE SET."

Setting screen (viewfinder)

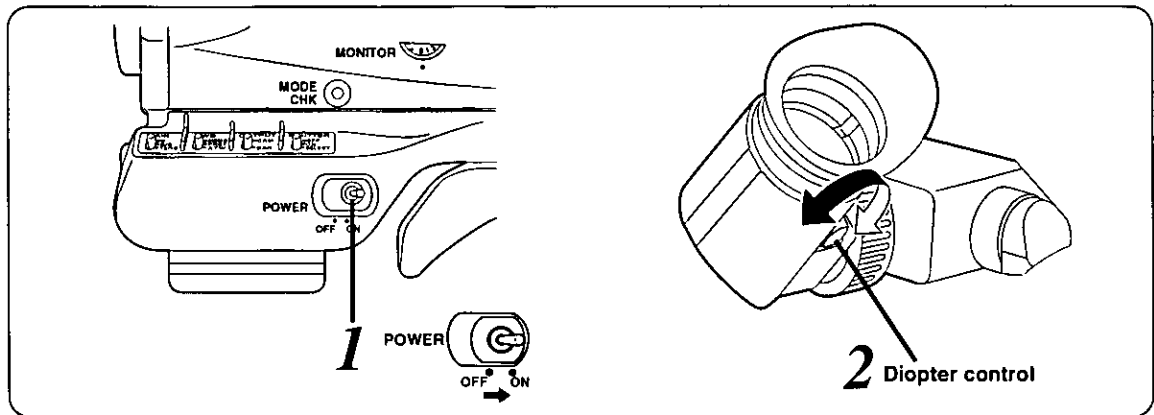
```
  - TIME/DATE -  
  YEAR       : 97  
  MONTH      : 06  
  DAY        : 13  
  HOUR       : 10  
  MINUTE     : 02  
  
  → ■ TIME/DATE SET
```

**6** The date and time settings are entered when the UP or DOWN button is pressed.

**7** Finally, set the MENU SET/OFF selector switch to OFF.

## ■ Adjusting the viewfinder

### Adjusting the viewfinder diopter

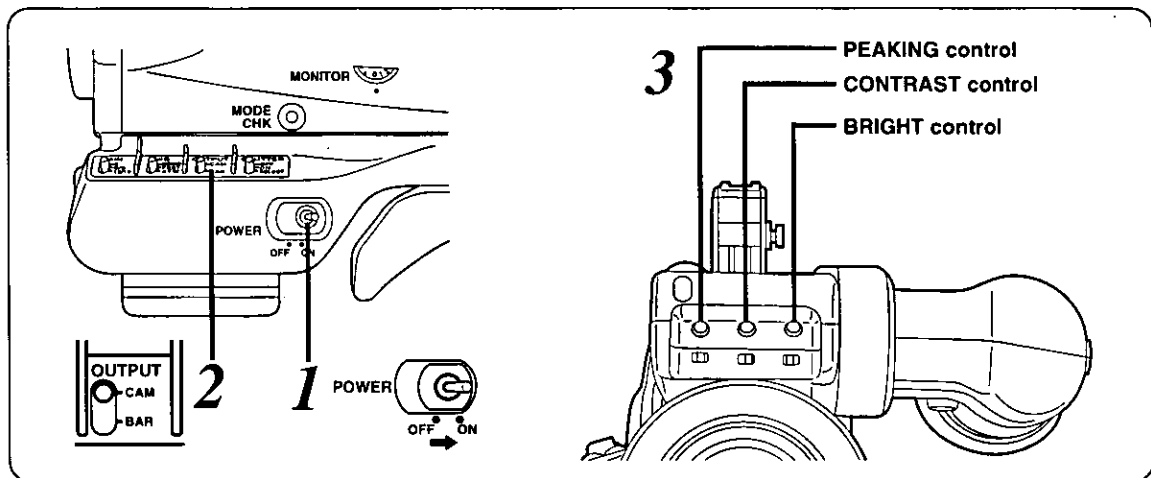


- 1** Set the POWER switch to ON.

An image now appears on the viewfinder.

- 2** Turn the diopter control and adjust it so that the viewfinder image can be seen clearly.

### Adjusting the viewfinder's brightness and contrast



- 1** Set the POWER switch to ON.

An image now appears on the viewfinder.

- 2** Set the OUTPUT switch to CAM.

- 3** Turn the viewfinder's BRIGHT and CONTRAST controls and adjust the brightness and contrast of the image.

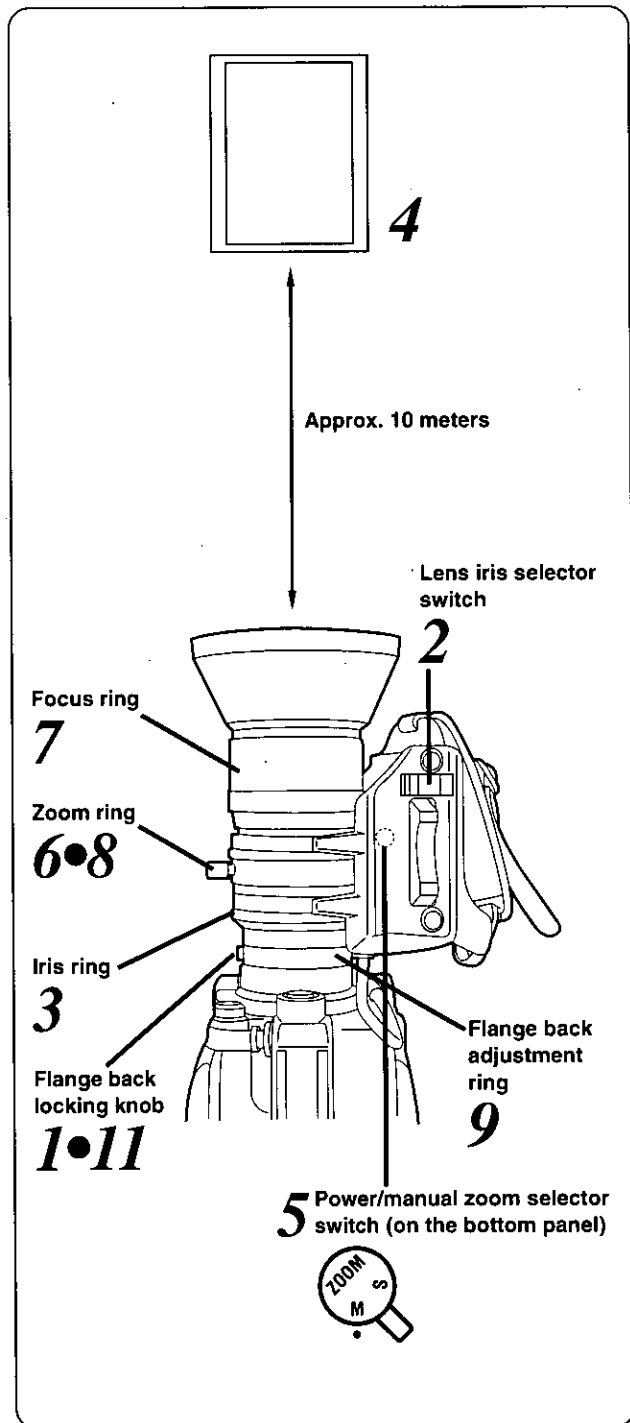
When the viewfinder's PEAKING control is turned, the image can be adjusted to be softer or sharper.

If it is adjusted to be sharp, it will be easier to focus the lens.

## ■ Adjusting the lens flange

The lens flange is adjusted when the lens fails to be focused at both the telephoto and wide-angle positions because it has been mounted for the first time or because it has been replaced.

**This adjustment need be done only once provided that the lens is not replaced.**



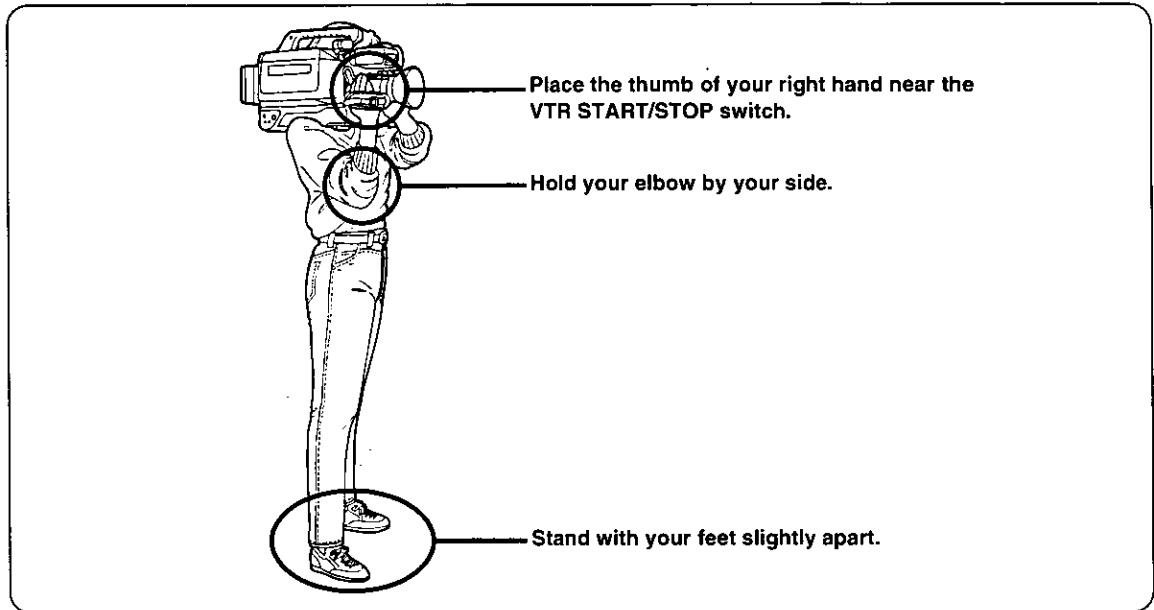
- 1 Loosen the flange back locking knob.
- 2 Set the lens iris selector switch (IRIS) to "M."
- 3 Turn the iris ring and set the iris to the fully open position.
- 4 Shoot a well-contrasted subject such as a window or utility pole at least 10 meters away.
- 5 Set the power/manual zoom selector switch to "M."
- 6 Turn the zoom ring and set the zoom to the maximum telephoto position (zoom in).
- 7 Turn the focus ring and bring the subject into focus.  
When the subject is too bright and it is hard to verify whether it is in focus: Set the electronic shutter to ON. (If necessary, change the shutter speed as well.)
- 8 Turn the zoom ring and set the zoom to the maximum wide-angle position (zoom out).
- 9 Turn the flange back adjustment ring and bring the subject into focus.
- 10 Repeat steps 5 to 9 until the subject is brought into focus at both the telephoto and wide angle positions.  
If the subject is out of focus, use the focus ring to focus, then zoom out, and use the flange back adjustment ring to bring the subject into focus.
- 11 Upon completion of the adjustments, tighten up the flange back locking knob to prevent the flange back adjusting ring from moving out of position.

Also refer to the operating instructions accompanying the lens you have purchased.

# Adjustments during shooting

## Camera posture

If the camera is held rather than secured on the tripod for shooting, the images will feature plenty of movement but there will be a lack of stability. Hold the camera in such a way as to prevent camera shake.

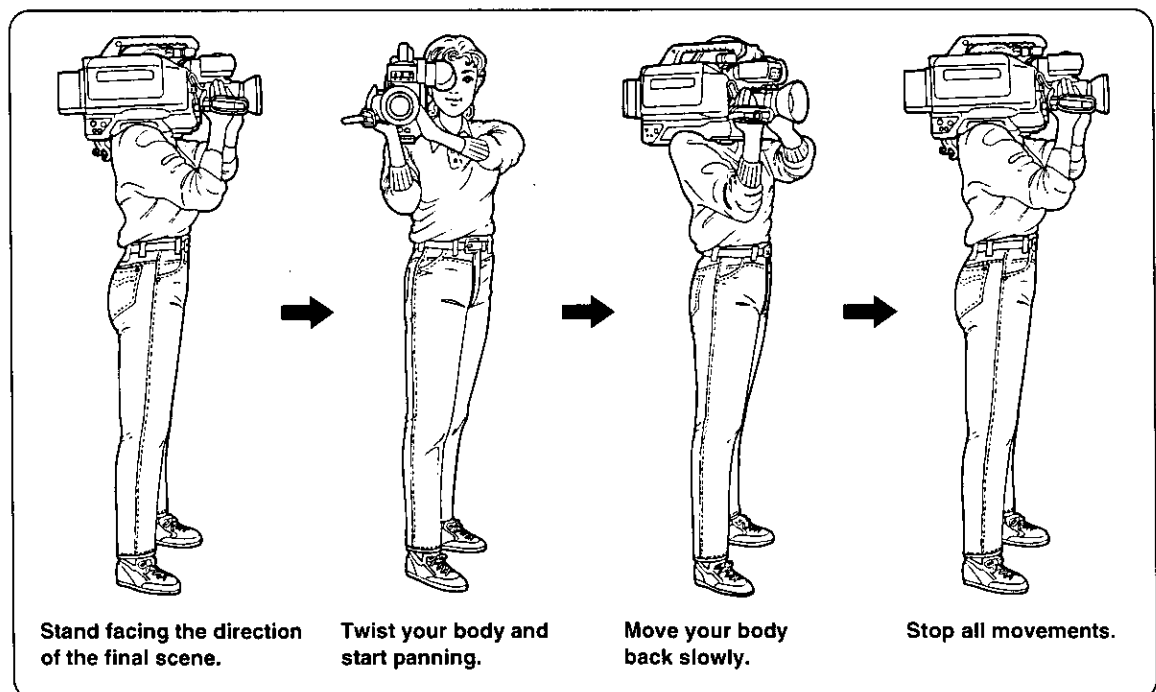


## Camera movements

Basically, the camera should be fixed in position for shooting. If the pan and tilt functions are used, however, the recording will have more of a sense of movement. Moving the camera horizontally is called "panning"; moving it perpendicularly is known as "tilting." In moving the camera, the knack is to move it slowly. Better shots can be taken by moving the camera very slowly.

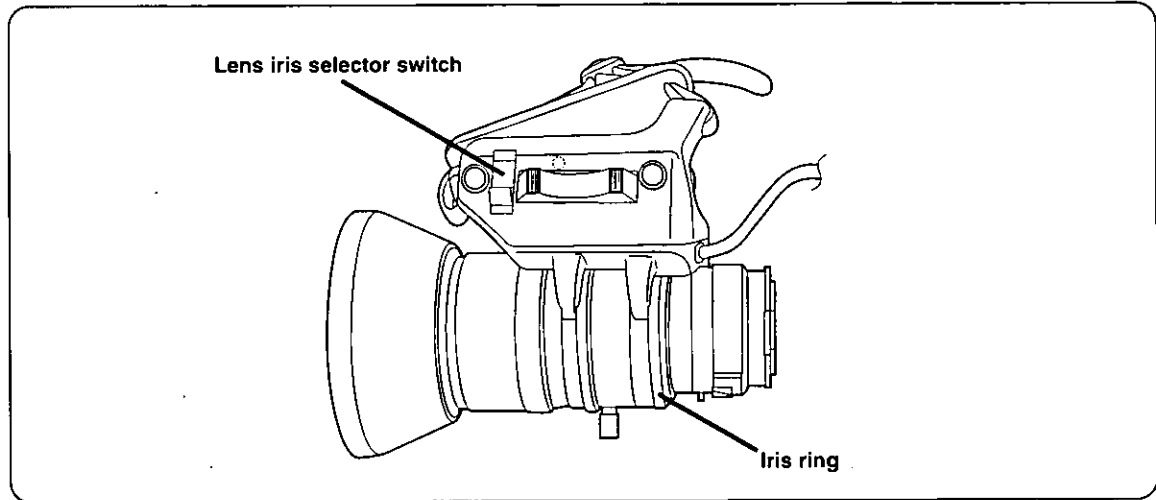
Even when a movement has been completed, suspend all movement for a few moments.

### Panning



## Exposure adjustment

The exposure varies according to the lens iris.  
The lens iris can be adjusted using the automatic iris or manual iris settings.



### ● Automatic iris

Set the lens iris selector switch (IRIS) to "A."

The iris is automatically adjusted to obtain the brightness which is commensurate with the subject.

- This unit's automatic iris operation serves to measure the average brightness of the entire screen to control the iris. This means that the subject will tend to become all white or dark when a spotlight is directed on the subject or when the subject is shot under backlight conditions. Use the lens iris at the manual setting for lighting conditions such as these.

### ● Manual iris

Set the lens iris selector switch (IRIS) to "M."

Turn the iris ring and adjust the brightness.

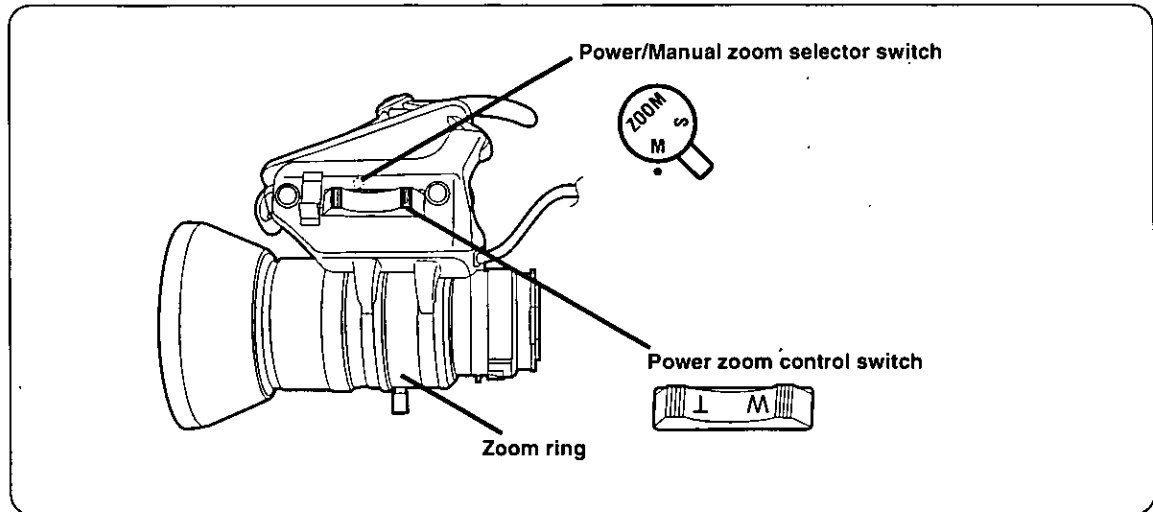
Shooting conditions	Operation
Background is too bright, and subject is dark (backlight)	Open the iris slightly.
Background is dimly lit, and subject is bright	Stop down the iris slightly.
When special effects are desired	Adjust the iris as required.


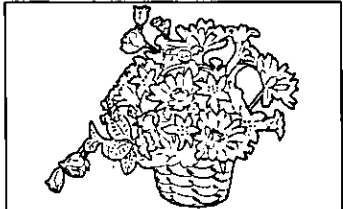
Also refer to the operating instructions accompanying the lens you have purchased.

- Notes:**
- If the light quantity is too great, obtain an ND filter (62 mm diameter) from a camera store, and attach it in front of the lens.

## Zooming

Both power zoom and manual zoom functions are available for zooming. Power zoom involves simply pressing a switch and selecting telephoto (TELE) or wide angle (WIDE); manual zoom involves operating the zoom ring and selecting telephoto or wide angle.

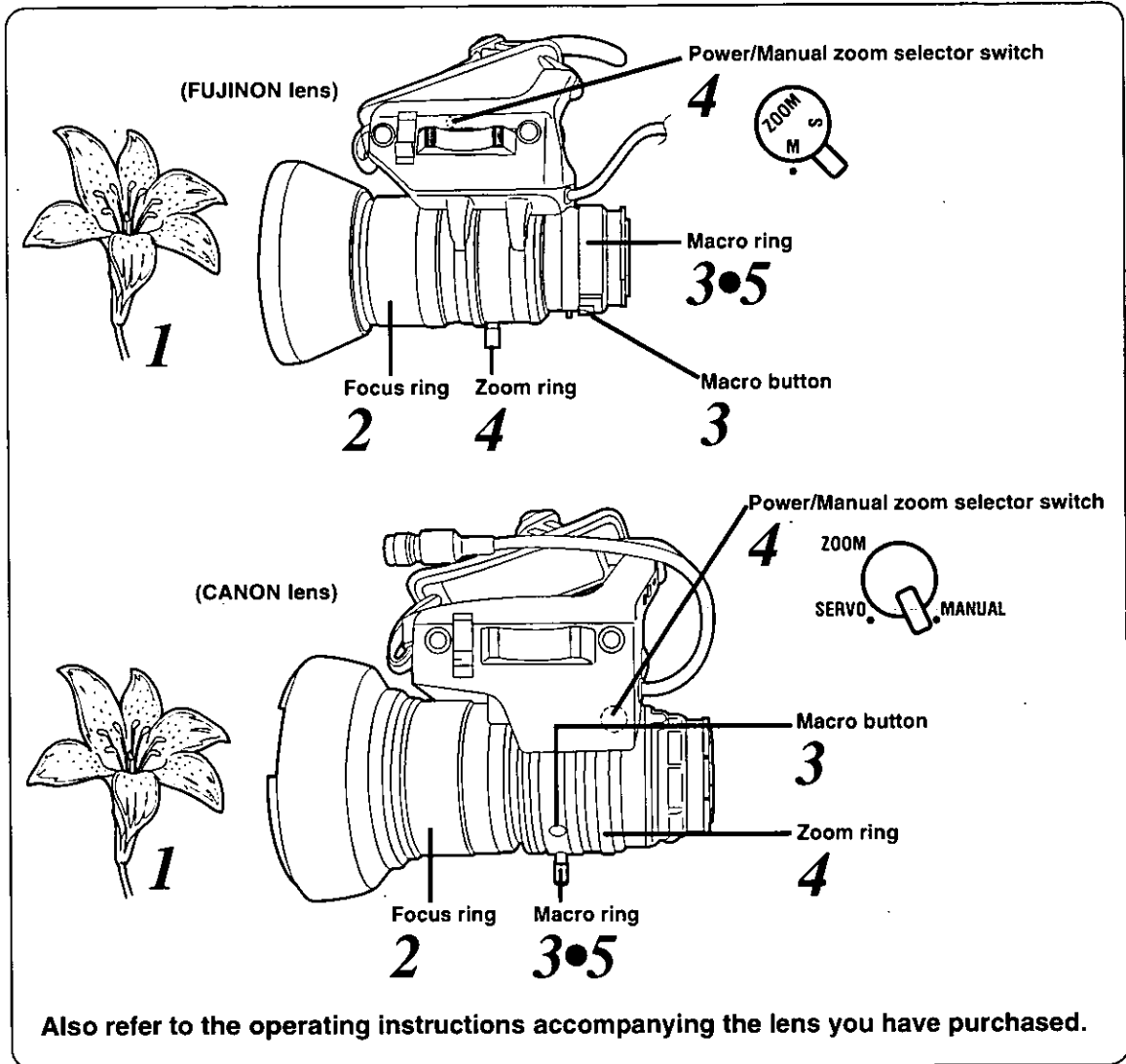


	Power zoom	Manual zoom
<b>Zooming</b>	Set the power/manual zoom selector switch to "S."	Set the power/manual zoom selector switch to "M."
<b>Telephoto</b> 	Set the power zoom control switch to T (TELE).	Rotate the zoom ring downward.
<b>Wide angle</b> 	Set the power zoom control switch to W (WIDE).	Rotate the zoom ring upward.

Also refer to the operating instructions accompanying the lens you have purchased.

## How to take close-ups

The close-up (macro) function comes in handy when shooting insects, flowers or other subjects positioned at close distances of up to 1 meter or so from the unit.



- 1** Bring the lens up close to the subject.
- 2** Set the focus ring to the shortest possible setting.
- 3** Press the **MACRO** button forward, and rotate the macro ring.  
The subject appears at its maximum size when the macro ring is rotated as far as it will go.
- 4** Set the power/manual zoom selector switch to "M," and rotate the zoom ring to bring the subject into focus.
- 5** After completing the macro shooting, return the macro ring to its click-stop position.

## Light sources and color temperatures

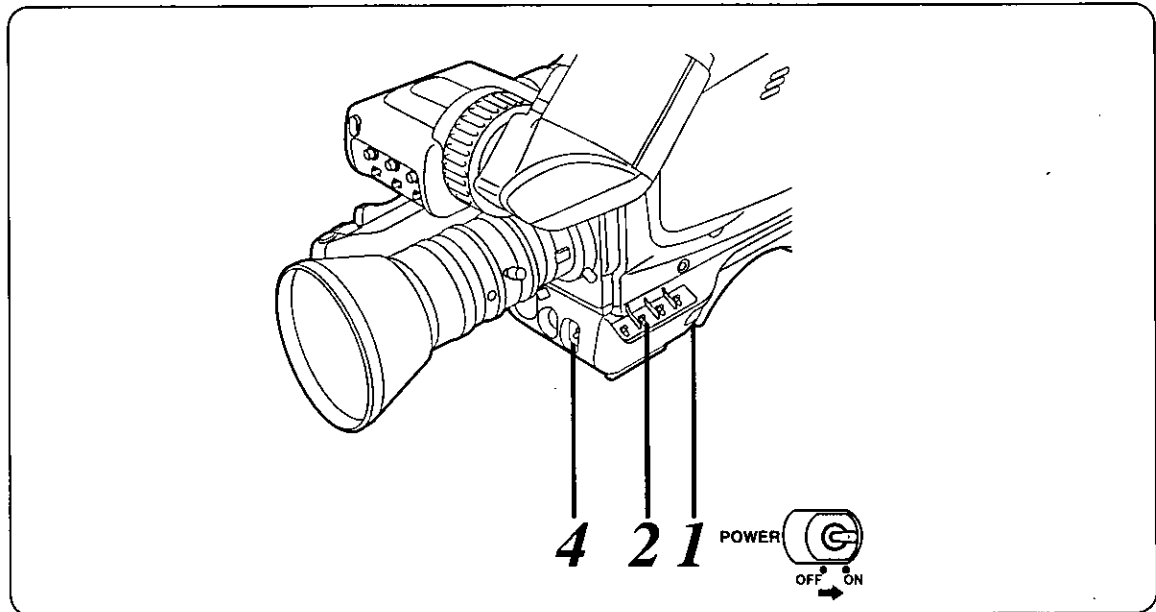
When shooting a subject, it is necessary to adjust the white balance to a setting which matches the light source. A light source is expressed using a color temperature (K). The bluer the light, the higher the temperature; conversely, the redder the light, the lower the temperature. The table given below shows the correlation between light sources and color temperatures.

Light source		Color temperature (K)	
Clear skies		10,000	
Cloudy		8,000	Blue
Rainy		7,000	↑
	Fluorescent lights (daylight)	6,000	↓
		5,000	
Sunshine at midday	Mercury-vapor lamps Fluorescent lights (white)		White
1 hour after sunrise, 1 hour before sunset		4,000	↑
	Fluorescent lights (warm white)	3,500	↓
	Studio lights	3,200	Yellow
	Halogen lamps, video lights	3,000	↑
30 minutes after sunrise, 30 minutes before sunset			
	Incandescent bulbs	2,500	↓
	Sodium lamps (Lighting inside tunnels)		
Sunrise, sunset			
	Candlelight	2,000	red



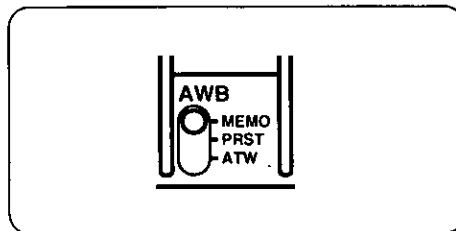
# White balance adjustment

This adjustment may be skipped when the white balance selector switch is used at the ATW position (automatic tracking wide balance mode) or PRST position (for shooting under a predetermined light source).



**1** Set the POWER switch to ON.

**2** Set the white balance selector switch to MEMO.

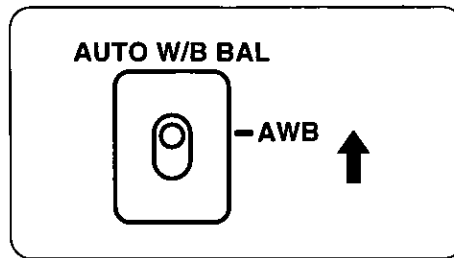


**3** Place a sheet of white paper, handkerchief or something similar in conditions identical to those of the light sources which will be used to illuminate the subject, and zoom in on the subject so that the screen is filled with the white paper or handkerchief.

- Something white (such as a piece of white fabric or white wall) near the subject may serve instead, but it should be borne in mind that what you thought was white may in fact be slightly coloured.
- Be careful not to open the lens iris too far when adjusting the white balance. Attempting to adjust the white balance with the iris open too far will cause the warning "TOO BRIGHT" to be displayed and processing to stop. Note that the "TOO BRIGHT" warning is especially prone to appear when the entire screen is filled with something white, such as a piece of paper.

(Generally speaking, selecting the AUTO IRIS mode to control the lens iris setting will ensure that it is automatically adjusted to the appropriate setting for the lighting level.)

## 4 Shoot the white object so that it fills the screen, and set the AUTO W/B BAL switch to AWB.



### How to use the automatic tracking white (ATW) balance mode

The automatic tracking white balance mode is established when the white balance selector switch (AUTO W/B BAL) is set to the ATW position. However, since the ambient light conditions may make the auto tracking white balance operation unstable, learn how to use the MEMO, PRESET and ATW modes to best suit the prevailing conditions.

### Examples

- When shooting a subject illuminated by a spotlight, proceed in the PRESET (INDOOR mode).
- If you know ahead of time that you will be shooting a subject outdoors, store the white balance setting in the MEMO position.
- Shooting a subject illuminated by a mixture of light from fluorescent lighting and incandescent bulbs or by a mixture of outdoor light and fluorescent lighting because the subject is by a window presents difficulties for automatic tracking. Under conditions such as these, adjust the white balance manually.

Use the ATW balance mode only in an emergency when you do not have the time to adjust the white balance manually.

The white balance adjustment is completed in about 10 seconds.

- Upon completion of the adjustment, the color temperature display appears in the viewfinder. Now check that the color temperature imaged and the color temperature displayed in the viewfinder match. If they do not tally, it is recommended that the white balance be adjusted again.
- If it was not possible to adjust the white balance, the WHITE BAL ERROR TRY AGAIN message appears in the viewfinder. In a case like this, check that the lens cable is connected properly and that the subject brightness is suitable, and then adjust the white balance again.

### When the white balance should be re-adjusted:

Be absolutely sure to re-adjust the white balance when there has been a change in the light conditions or when the gain setting has been changed.

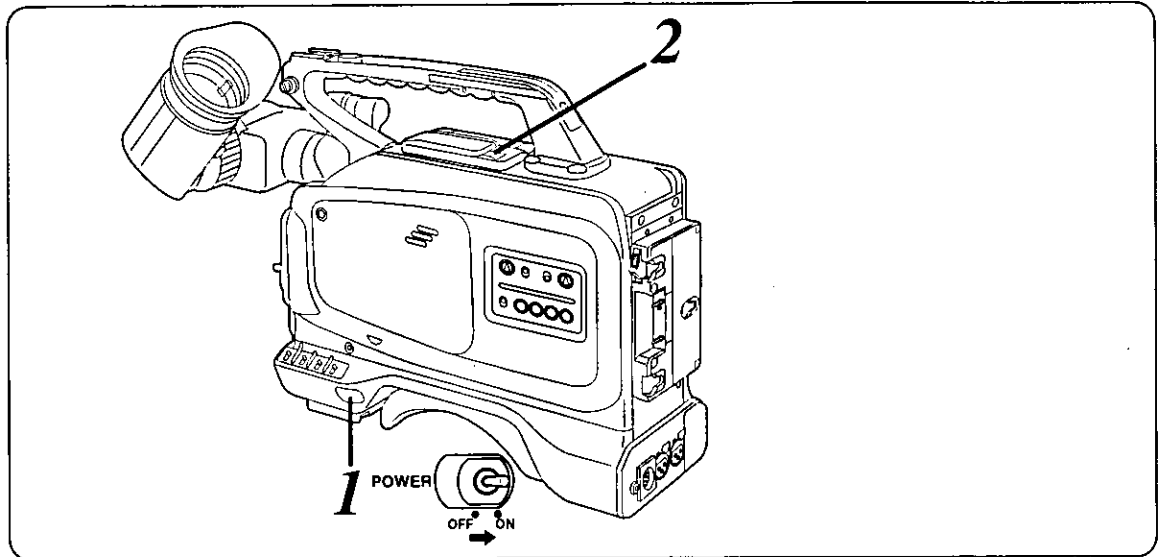
### Notes:

- Since hunting may occur when a zoom lens with an automatic iris mechanism is used, adjust the iris gain knob provided on the lens. For further details, refer to the operating instructions accompanying the lens.
- The white balance cannot be adjusted if the white balance selector switch is set to the ATW or PRST position.
- Do not allow a subject lighter than the white object shot in step 3 above onto the screen since the white balance is adjusted with the lightest part of the subject on the screen taken to be white. Failure to heed this caution may cause malfunctioning.
- Do not increase the gain to an unnecessarily high value and then proceed with the automatic white balance (AWB) operation. Failure to heed this caution will cause the iris to be nearly stopped down when AWB is performed so operation will become unstable.

### Remarks:

- In order to ensure that a high picture quality is maintained, it is recommended that AWB be performed immediately before shooting scenes of great importance or value.
- When the white balance is adjusted, the black balance is also adjusted automatically inside the unit. Consequently, when the AUTO W/B BAL switch has been operated, the iris will close before opening again: this is normal and not indicative of any malfunctioning.

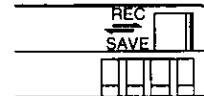
# Normal recording



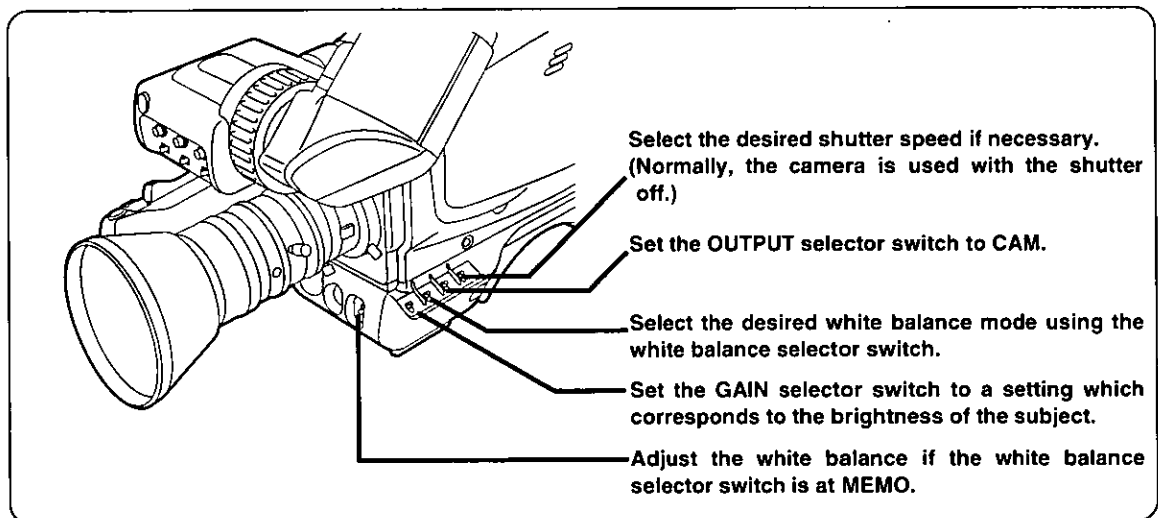
**1** Set the POWER switch to ON.

**2** Press the EJECT button to open the cassette holder, and insert the cassette tape.

- Before proceeding with the recording, make sure that the cassette tab has been set to the REC position.
- This unit uses "L" cassettes only.



**3** Set the camera switches as shown below.



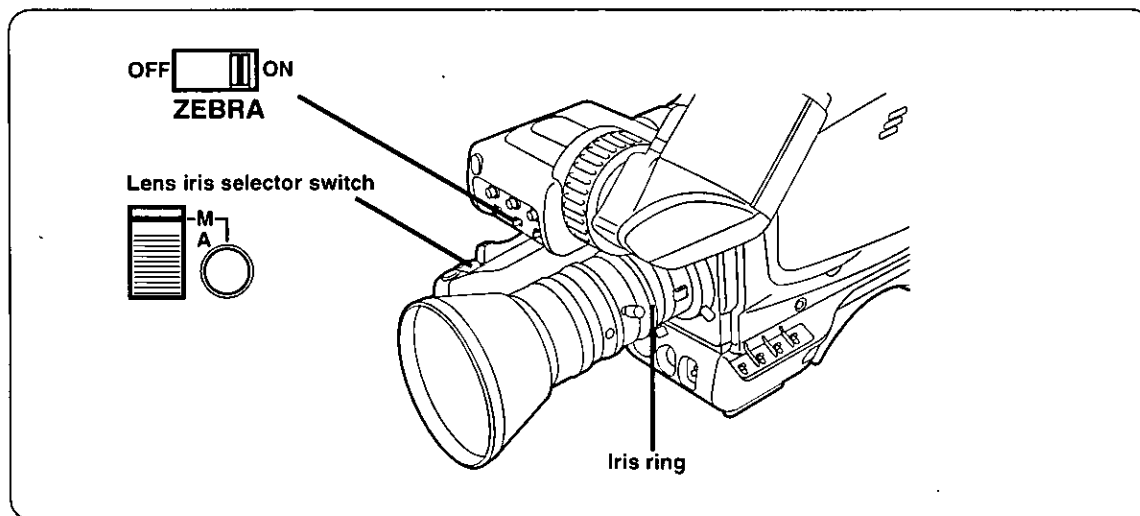
**4** Point the camera at the subject and adjust the focus and zoom.

**5** Press the VTR START/STOP button to start the recording.

**6** Press the VTR START/STOP button to stop the recording.

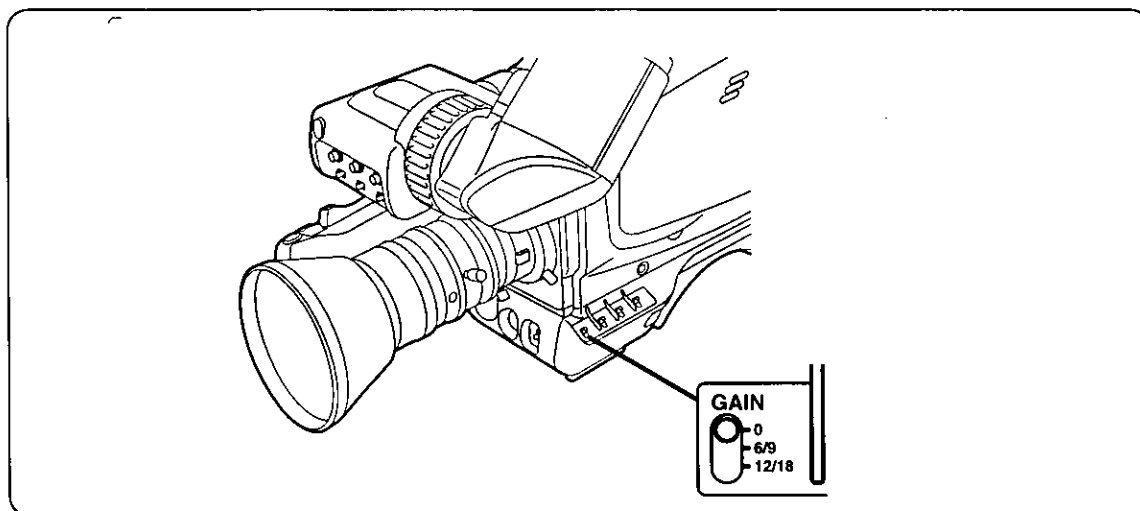
## Zebra pattern display

A zebra pattern can be displayed on a bright part (over approx. 85 IRE) of the image.



## Gain settings

When shooting in locations with insufficient lighting, a brighter image can be produced by increasing the gain. However, it should be borne in mind that the noise will also increase when the gain is raised.

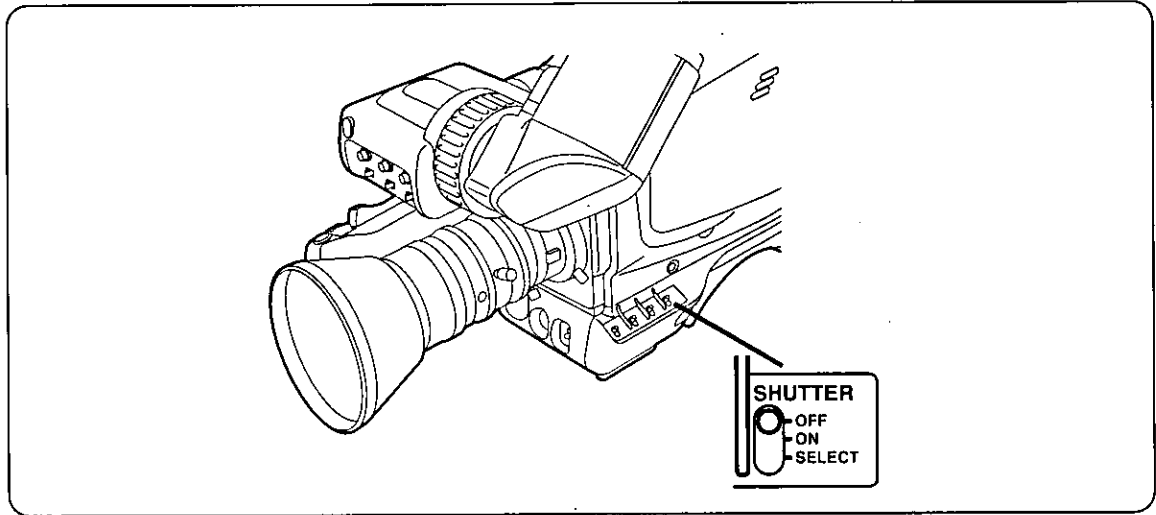


Gain settings of 0/6/12dB or 0/9/18dB are set on the menu item CAMERA SETTING menu screen for operation. (The 0/6/12dB settings were selected when the unit was shipped from the manufacturing plant.) For further details, refer to the menu items (on pages 48, 49 and 53).

---

## High-speed shutter

Camera shake can be minimized when shooting moving subjects by increasing the shutter speed. Furthermore, shooting under fluorescent lights produces flickering images, and this flickering can be reduced by changing the shutter speed when shooting.



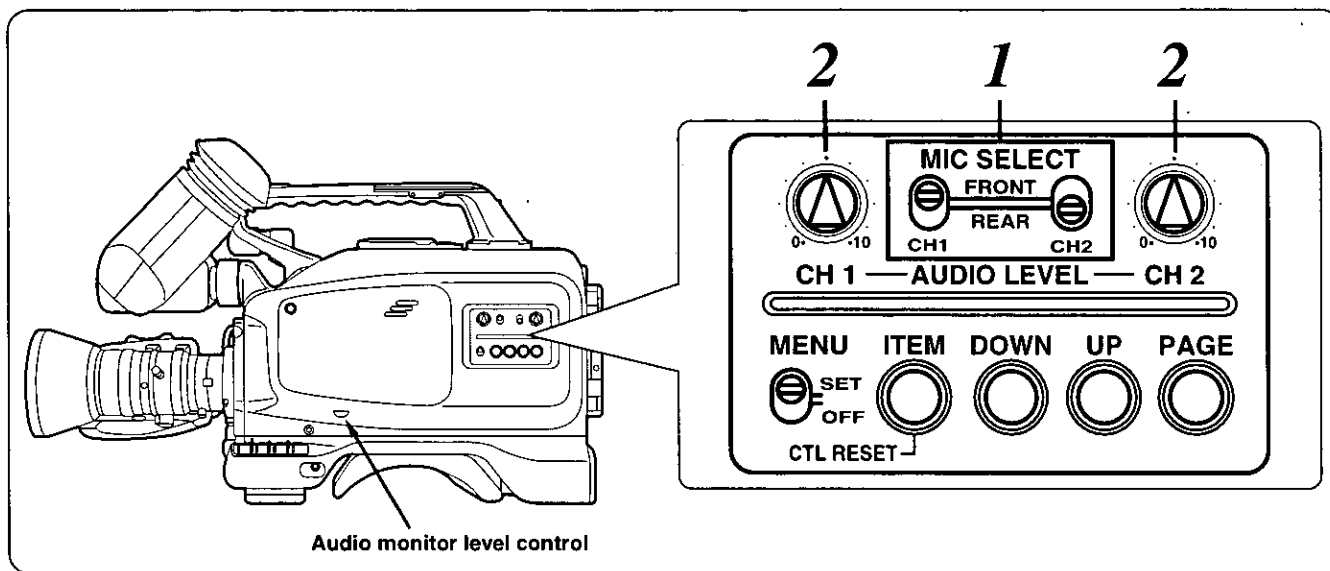
### How to change the shutter speed

The SHUTTER switch is non-locking at the SELECT position. Each time it is operated at this position, the shutter speed changes in the following sequence: 1/100→ 1/125→ 1/250→ 1/500→ 1/1000→ 1/2000 → 1/4000→ 1/8000. When operated again at the 1/8000 setting, the speed returns to 1/100.

#### Notes:

- The higher the shutter speed setting, the darker the images will become. Check the brightness of the images in the viewfinder, and adjust the lighting and lens iris.
- When shooting extremely bright subjects with the shutter speed at a high setting, the smear effect (a form of distortion in which objects appear stretched out vertically) may be more noticeable than in the shutter OFF condition: this is normal and not indicative of any malfunctioning.

# Audio recording



- 1** Select the desired input signals using the audio input selector switches.

When using the built-in microphone	→ FRONT
When using external microphones	→ REAR

- 2** Adjust the recording levels using the audio level controls.

The recording levels can be checked in the viewfinder. Adjust the levels in such a way that the audio level meter for the viewfinder display shows "-----+" or thereabouts.

(See page 15)

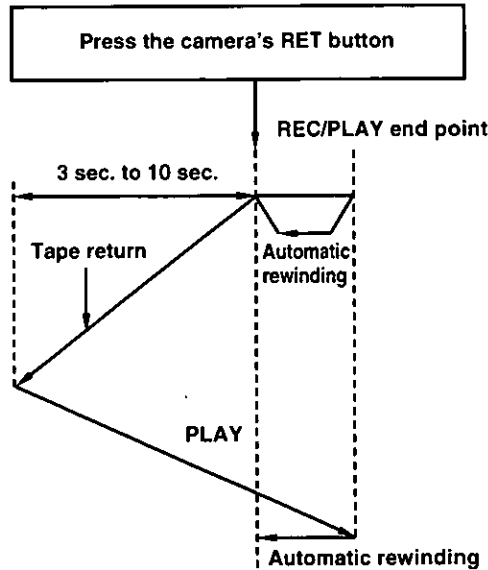
**Notes:** ■ Howling may occur when the volume of the sound delivered through the audio monitor speaker is too high. If this occurs, turn the audio monitor level control down to a level at which howling does not occur.

**Remarks:** ■ The line input can be selected instead of the external microphones by setting an internal switch to the corresponding position. For further details, refer to page 59.

## Rec review

---

When the camera's RET button is pressed while the VTR is in the REC PAUSE mode (which is established after the tape has finished moving back automatically), rec review is conducted so that the quality of what has already been recorded can be checked.



- The amount by which the tape moves backward can be controlled from 3 to 10 seconds by either pressing the camera's RET button and releasing it immediately or holding it down.
- The playback images appear in the viewfinder while the tape is being played back in the rec review mode.

**<When no recording has yet been made near the rec review start point>**

The playback images of the blank part of the tape appear in the viewfinder.

- Notes:**
- During the rec review operation, the rec review images are output to the video output connectors (BNC and S-VIDEO connectors) as well as to the viewfinder. It should be borne in mind that these rec review images will be recorded if a back-up VTR has been connected to record back-up images.

## Retake

---

When the FF or REW button is pressed in the REC PAUSE mode, playback images at 1× normal tape speed or reverse playback images at 1× normal tape speed can be viewed while the button is held down. When the button is released, the REC PAUSE mode is re-established immediately. This function can be used to retake shots by running the tape to the desired position while checking the images and by starting recording again from that position.

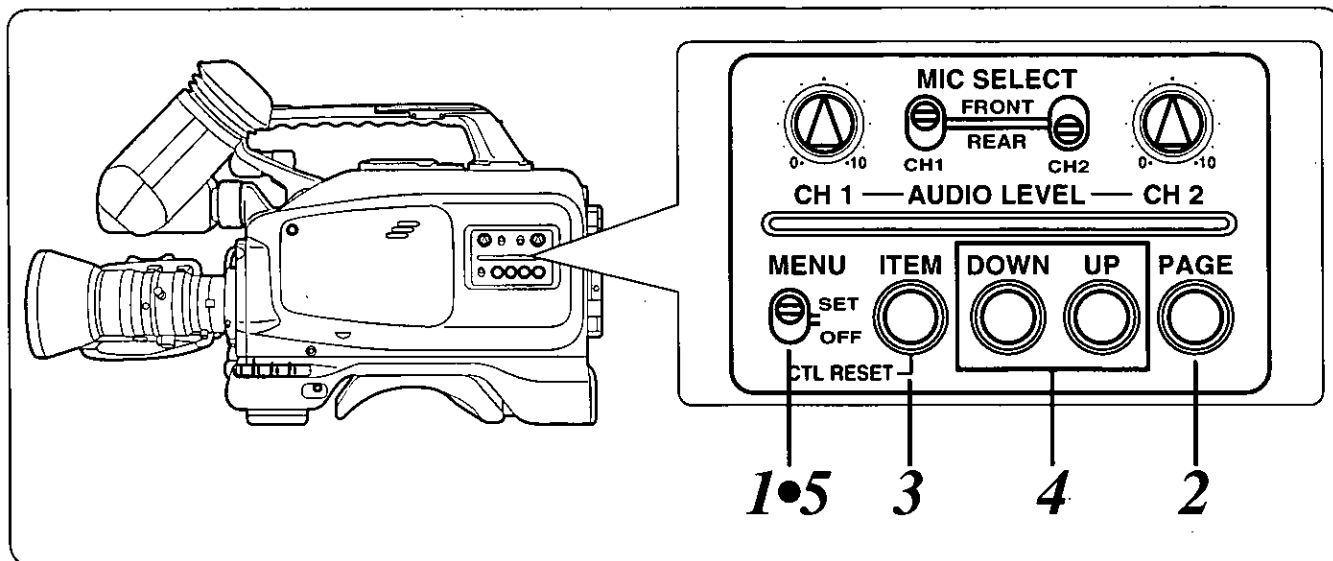
## Still-picture playback

---

The STILL mode is established when the PLAY button is pressed during playback. Both the FF and REW LED displays in the operation section light up at this time. Normal playback is resumed when the PLAY button is pressed again.

# Menu items

## Setting procedure

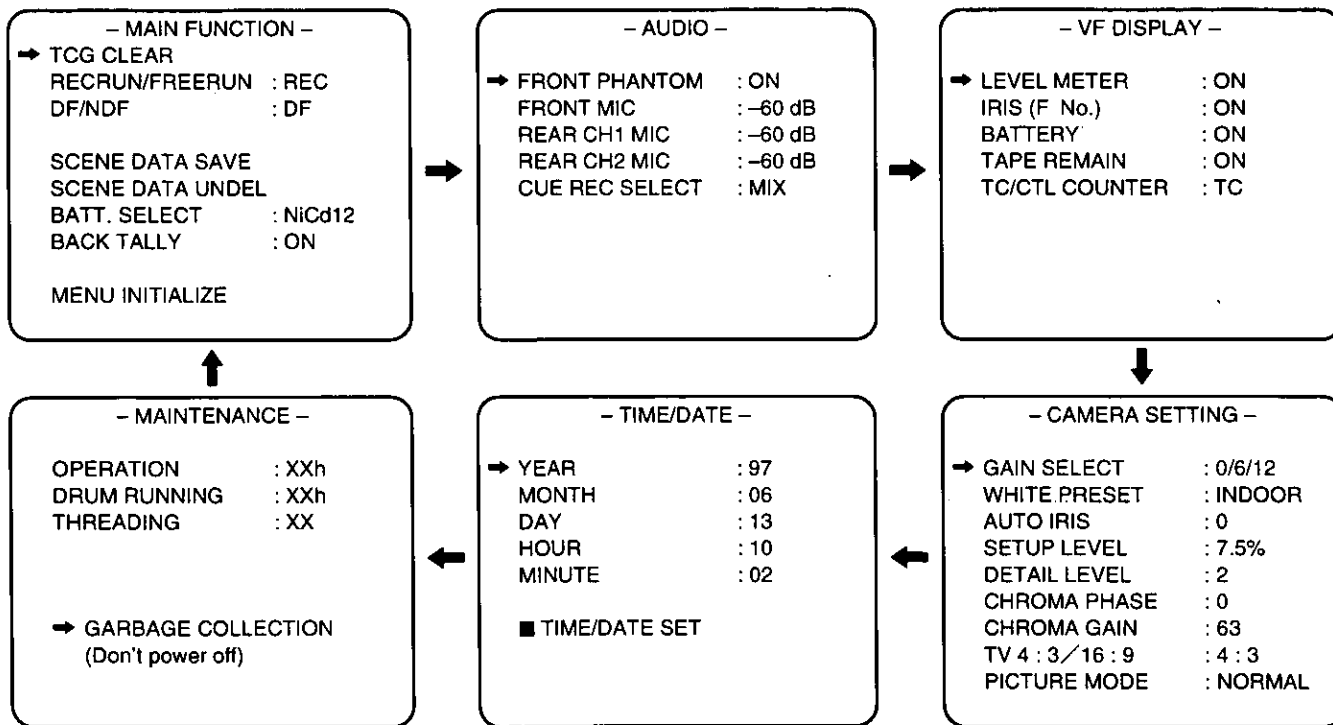


### 1 Set the MENU SET/OFF switch to SET.

When the MENU SET/OFF switch is set to SET while the unit is in the stop, eject or rec pause mode, the menu screen is displayed.

### 2 Press the PAGE button.

The menu screens are switched in succession as shown below by pressing the PAGE button.





---

### **3 Press the ITEM button.**

The ITEM button is pressed to select items on each of the menu screens. Each time the ITEM button is pressed, the arrow at the left of the screen moves. The item indicated by the arrow is the item currently selected.

### **4 Press the UP or DOWN button.**

Press the UP or DOWN button to change the setting.

### **5 Upon completion of the settings, set the MENU SET/OFF switch to OFF.**

The original viewfinder screen is restored.

**Notes:** The setting data is stored in the built-in flash memory several seconds after the MENU SET/OFF switch has been set to the OFF position. Bear in mind that the data will not be stored correctly if the battery or AC adaptor is removed while the MENU SET/OFF switch is still at SET or immediately after the switch was changed to the OFF setting.

## MAIN FUNCTION menu

- MAIN FUNCTION -	
→ TCG CLEAR	
RECRUN/FREERUN	: REC
DF/NDF	: DF
SCENE DATA SAVE	
SCENE DATA UNDEL	
BATT. SELECT	: DIGIT
BACK TALLY	: ON
MENU INITIALIZE	

Menu item	Mode setting	Description of function
TCG CLEAR		Clears the time code generator.
RECRUN/FREERUN	<u>REC</u> FREE	Selects whether the time code generator is to be used in the REC RUN or FREE RUN mode. Regeneration is conducted if REC RUN mode is selected.
DF/NDF	<u>DF</u> NDF	Selects whether the time code generator is to be operated in the drop frame or non-drop frame mode.
SCENE DATA SAVE		Stores the SCENE data on the tape. (Refer to the section on SCENE data on pages 56 and 57.)
SCENE DATA UNDEL		Restores the SCENE data. (Refer to the section on SCENE data on pages 56 and 57.)
BATT. SELECT	<u>NiCd12</u> NiCd13 NiCd14 DIGIT	Selects the type of battery to be used. NiCd12: For an AC adaptor or a 12 V nickel-cadmium battery. NiCd13: For a 13.2 V nickel-cadmium battery. NiCd14: For a 14.4 V nickel-cadmium battery. DIGIT: For a digital nickel-cadmium battery (same for both 13.2 V and 14.4 V).
BACK TALLY	<u>ON</u> OFF	ON is selected if the back tally LED display is to be used; OFF is selected if it is not to be used.
MENU INITIALIZE		Restores all the menu items to the settings established before the unit was shipped from the factory.

The underlining for the mode settings indicates the modes selected before the unit was shipped from the factory.

## AUDIO menu

- AUDIO -	
→ FRONT PHANTOM	: ON
FRONT MIC	: -60 dB
REAR CH1 MIC	: -60 dB
REAR CH2 MIC	: -60 dB
CUE REC SELECT	: MIX

Menu item	Mode setting	Description of function
FRONT PHANTOM	<u>ON</u> OFF	Sets the phantom power for the front microphone to ON or OFF. ON is selected if the microphone provided with the unit is to be used.
FRONT MIC	<u>-60 dB</u> -50 dB -40 dB	Selects the front microphone input level setting. Select -60 dB, -50 dB or -40 dB depending on the microphone used.
REAR CH1 MIC	<u>-60 dB</u> -50 dB -40 dB	Selects the rear microphone CH1 input level setting. Select -60 dB, -50 dB or -40 dB depending on the microphone used.
REAR CH2 MIC	<u>-60 dB</u> -50 dB -40 dB	Selects the rear microphone CH2 input level setting. Select -60 dB, -50 dB or -40 dB depending on the microphone used.
CUE REC SELECT	CH1 CH2 <u>MIX</u>	Selects the signals to be recorded on the CUE audio track from among the CH1, CH2 and MIX signals.

The underlining for the mode settings indicates the modes selected before the unit was shipped from the factory.

## VF DISPLAY menu

- VF DISPLAY -		
→ LEVEL METER	:	ON
IRIS (F No.)	:	ON
BATTERY	:	ON
TAPE REMAIN	:	ON
TC/CTL COUNTER	:	TC

Menu item	Mode setting	Description of function
LEVEL METER	<u>ON</u> OFF	Selects whether the audio level meter reading is to be displayed on the viewfinder.
IRIS (F No.)	<u>ON</u> OFF	Selects whether the lens iris f-value is to be displayed on the viewfinder.
BATTERY	<u>ON</u> OFF	Selects whether the remaining battery charge is to be displayed on the viewfinder.
TAPE REMAIN	<u>ON</u> OFF	Selects whether the remaining tape amount is to be displayed on the viewfinder.
TC/CTL COUNTER	<u>TC</u> UB CTL OFF	Selects whether the viewfinder counter display is to show the time code, user bit, CTL or none of these.

The underlining for the mode settings indicates the modes selected before the unit was shipped from the factory.

## CAMERA SETTING menu

- CAMERA SETTING -	
→ GAIN SELECT	: 0/6/12
WHITE PRESET	: INDOOR
AUTO IRIS	: 0
SETUP LEVEL	: 7.5%
DETAIL LEVEL	: 2
CHROMA PHASE	: 0
CHROMA GAIN	: 63
TV 4 : 3 / 16 : 9	: 4 : 3
PICTURE MODE	: NORMAL

Menu item	Mode setting	Description of function
GAIN SELECT	<u>0/6/12</u> 0/9/18	Selects whether the 0/6/12 dB or 0/9/18 dB settings are to apply to the operation of the camera gain selector switch.
WHITE PRESET	<u>INDOOR</u> OUTDOOR FLUOR	Selects whether OUTDOOR, INDOOR or FLUOR (fluorescent lighting) is to be set when the camera's WHITE BAL selector switch is at the PRST position.
AUTO IRIS	-3.0 : <u>0</u> : 3.0	Selects the target brightness of the auto iris. The brightness can be set in 0.1 increments from -3.0 to 3.0. Example: When -1.5 is selected, the iris is closed by approximately 1.5 stops from the factory setting. However, there may be a slight deviation from this value.
SETUP LEVEL	0% <u>7.5%</u>	Sets the camera setup level. Either 0% or 7.5% is selected.
DETAIL LEVEL	0 : <u>2</u> : 16	Finely adjusts the camera detail level. Adjustment is possible from 0 to 16.
CHROMA PHASE	-32 : <u>0</u> : 32	Finely adjusts the camera's chroma phase. Set the value in the + direction if the skin color is to be made redder or in the - direction if it is to be made more yellow. Any value from -32 to 32 can be set.
CHROMA GAIN	0 : <u>63</u>	Adjusts the camera's color intensity. The higher the value, the greater the intensity of the colors. Any value from 0 to 63 can be set.
TV 4 : 3 / 16 : 9	<u>4 : 3</u> 16 : 9	Selects whether the camera is to be used for screen dimensions of 4:3 or 16:9.
PICTURE MODE	<u>NORMAL</u> FRAME	NORMAL is selected for ordinary shooting. At the FRAME setting, pictures have the "skipped frame" effect.

The underlining for the mode settings indicates the modes selected before the unit was shipped from the factory.

## TIME/DATE menu

- TIME/DATE -

→ YEAR : 97

MONTH : 06

DAY : 13

HOUR : 10

MINUTE : 02

■ TIME/DATE SET

**Note:** Make absolutely sure that the arrow is moved to the “■ TIME/DATE SET” position upon completion of the setting, and then press the UP or DOWN button. The settings will not be recorded unless the UP or DOWN button is pressed at the “■ TIME/DATE SET” position.

Menu item	Mode setting	Description of function
YEAR	00 : 99	Sets the last two digits of the year. Examples: “97” is set for 1997, and “01” for 2001.
MONTH	01 : 12	Sets the month using two digits.
DAY	01 : 31	Sets the day using two digits.
HOUR	00 : 24	Sets the hour (24-hour mode) using two digits.
MINUTE	00 : 59	Sets the minute using two digits.

## MAINTENANCE menu

- MAINTENANCE -

OPERATION : XXh  
 DRUM RUNNING : XXh  
 THREADING : XX

➔ GARBAGE COLLECTION  
 (Don't power off)

Menu item	Description of function
OPERATION	Indicates the number of hours during which power has been supplied to the unit to date.
DRUM RUNNING	Indicates the total accumulated number of hours during which the head cylinder has been operating to date.
THREADING	Indicates the number of times a tape was loaded to date.
GARBAGE COLLECTION	<p>Gives the command to collect the garbage in the built-in flash memory. If the "FLASH MEMORY EMPTY" message appears in the viewfinder when the power is turned on, align the arrow with "GARBAGE COLLECTION," and press the UP or DOWN button. Collection of garbage in the flash memory then commences.</p> <p><b>Notes:</b></p> <ul style="list-style-type: none"> <li>● Once the collection of garbage in the flash memory has commenced, no operation is possible for about one minute. Upon completion of this processing, normal operation can be resumed.</li> <li>● While the garbage in the flash memory is being collected, do NOT turn off the power. Also ensure that the battery has an adequate charge during this operation. If the power is cut off during the processing, the collection of the garbage in the flash memory will be discontinued and not completed properly, and this will affect subsequent operation.</li> </ul>

---

## SCENE data (news gathering data recording)

If SCENE data is used for future non-linear editing or other such applications, it will be possible to do the job extremely efficiently.

SCENE data is an information exchange system for enhancing efficiency during editing. It operates by gathering information for editing during shooting and recording it onto the tape.

The SCENE data information consists of the following data for each cut.

Cut 1	Recording start time code	Recording stop time code	MARK
Cut 2	Recording start time code	Recording stop time code	MARK
⋮			
Cut 200	Recording start time code	Recording stop time code	MARK

- The recording start time code and recording stop time code are automatically written.
- MARK is written by operating buttons.
- A return is made to cut 1 when the cassette tape is replaced.
- In order to ensure frame-to-frame continuity in operation, this unit returns the tape by several frames from the position of the previous cut's recording stop, and then it starts to record the next cut (this is known as overlap recording). For this reason, the position of the SCENE data information's recording stop time code is shifted slightly from the end point of the cut recorded on the tape.

## **I** MARK operation

The "No MARK" status is established when recording starts.

MARK is an extremely simple memo (3 types: "No MARK," "MARK 1" or "MARK 2") which is inserted during shooting to facilitate editing afterwards.

Make up your own rules governing the use of these marks by, for instance, assigning "MARK 1" to one shooting session and "MARK 2" to another. When a situation arises which meets the conditions of the rules you have made up, press the MARK/CANCEL button. "MARK 1" now appears in the right corner of the viewfinder. When the MARK/CANCEL button is pressed again, "MARK 2" appears, and when the MARK/CANCEL button is pressed yet again, the CANCEL mode is established, and the "MARK" display in the right corner of the viewfinder is cleared.

When the recording of the next cut is started, this "MARK" is recorded into the internal memory, and the MARK/CANCEL button may be pressed any number of times until the next recording is started.

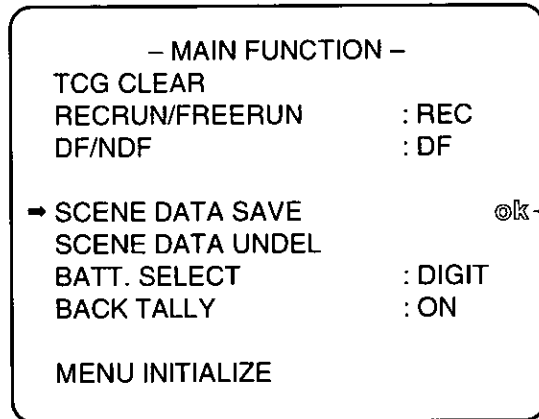


## 2 Saving the SCENE data onto the tape

The SCENE data is saved before the tape is ejected. Normally, it is saved after the final cut has been shot.

Set the menu SET/OFF selector switch to SET and display the MAIN FUNCTION MENU.

### Menu item screen (viewfinder)



The "ok" indication appears after the scene data has been saved.

Use the ITEM button to align the arrow with the SCENE DATA SAVE position, and press the UP or DOWN button.

The color of the screen changes to green, and the VTR starts operating in the recording mode. It takes about 10 seconds for the SCENE data to be saved, after which the original viewfinder screen is restored and "ok" indication will appear.

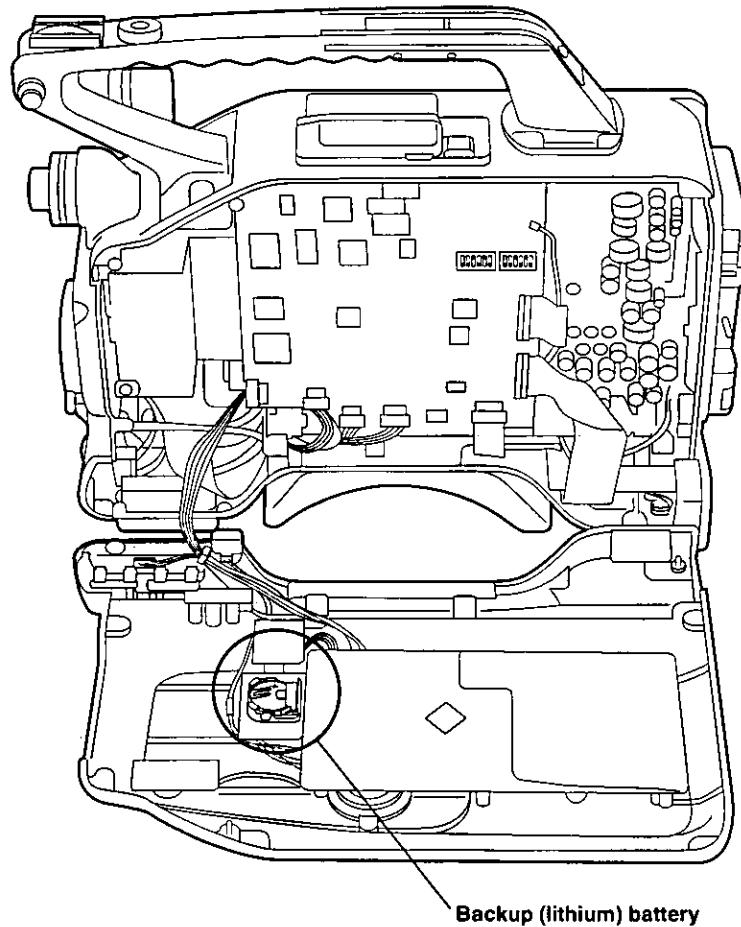
- Notes:**
- Other operations cannot be performed while the SCENE data is being saved.
  - When the tape is ejected, the SCENE data stored to date is cleared, and the preparations are made to gather the SCENE data for the next tape.
  - SCENE data cannot be saved from the SAVE mode (which is automatically established to protect the tape when the unit has been left standing in the REC PAUSE mode for more than 30 minutes). In this case, first press the STOP button to release the SAVE mode, and then save the SCENE data.

- Remarks:**
- If it is absolutely essential for the data to be restored because you forgot to save it before the tape was ejected, reload the ejected tape, display the MAIN FUNCTION menu screen, and use the ITEM button to align the arrow with SCENE DATA UNDEL. The data can now be restored by pressing the UP or DOWN button. If the tape is reloaded after its ejection and recording is then started, the data will be rewritten by the SCENE data for the new tape. This means that the data cannot be restored.

## Replacing the back-up battery

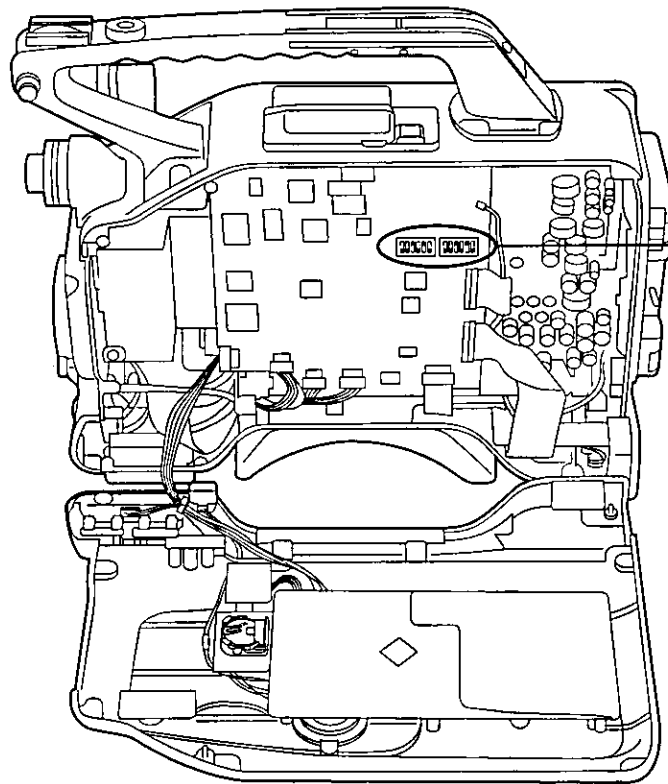
---

The unit is shipped from the factory with a back-up battery already installed. The "BACKUP BATTERY EMPTY" message appears in the viewfinder when the back-up battery has run down. Consult with your dealer, and replace the battery with a new one (CR2032 or BR2032).

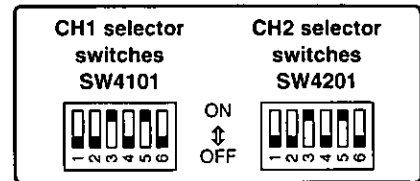


# Selecting the audio input

To connect phantom microphones or the line input to the audio input connectors on the rear panel, set the internal switches (audio input selector switches) to the appropriate positions.



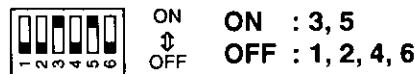
Audio input selector switches



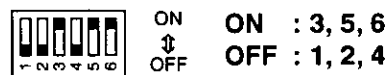
**Technical details:**

- 1: For selecting the gain (gain is increased at OFF).
- 6: For selecting the phantom power supply.
- 2, 3, 4, 5: For selecting the attenuator.

**When an ordinary microphone is used (factory settings):**

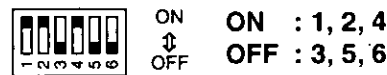


**When a phantom microphone is to be used:**



Set the switches to the above positions.

**When the line input is to be used:**



Set the switches to the above positions.

The line input level can be switched to one of three settings: -6 dB, 0dB or +4 dB. It is set using the REAR CH1 MIC/REAR CH2 MIC menu item (on the AUDIO menu/see page 51) but the menu screen display will remain unchanged even when the internal switches are set to the positions shown above. Use the table given below as a reference to convert the input level.

Menu display	For microphone	For line input
-60 dB	-60 dB	-6 dB
-50 dB	-50 dB	0 dB
-40 dB	-40 dB	+4 dB

# Tips on lighting

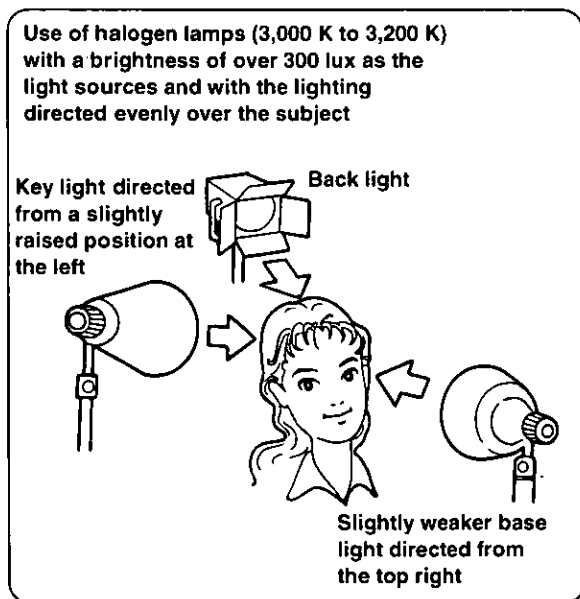
## Studio lighting

Use halogen lamps with a color temperature of 3,000K to 3,200K for lighting in a studio. If the color temperature of the light source differs from this value, the colors of the subject will appear differently to what is seen by eye. The shadows may take on colors or the image may not appear with the proper colors.

Use lighting of 300 lux or above. If it is less than this value, the screen may appear dark, the contrast may be insufficient, the depth of focus may be shallow or the picture quality may suffer deterioration in some other way.

Ensure that the lighting is directed evenly over the entire subject and that no shadows are formed.

Consult the table below and use the figures given, which are approximations only, as a guideline for evaluating the brightness.



Lighting required	Lighting desired	Actual shooting without lighting	ND filter required
10	• Brightness of a candle at 20 cm (10 to 15) • Brightness of a cigarette lighter at 30 cm (15)		
30			
50	• Brightness underneath a street lamp (50 to 100)		
100	• Shopping arcade at night (150 to 200) • Direct beam from a flashlight at 1 m (250)		
500	• Indoor area lit with fluorescent lighting (400 to 500)		
1,000	• Sales counters of a department store (500 to 700) • Sunlight 1 hour before dusk on a clear day (1,000)		
	• Sunlight 1 hour after dawn on a cloudy day (2,000) • By a train window in the afternoon (3,500)		
10,000	• Sunlight at 10 AM on a cloudy day (25,000) • Sunlight at noon on a cloudy day (32,000) • Sunlight at 3 PM on a clear day (35,000) • Sunlight at 10 AM on a clear day (65,000)		
100,000	• Sunlight on a clear day (100,000)		
	• Outdoors at noon under a cloudless sky • On the beach at the height of summer • In the mountains covered with snow		
(Unit: lux)			

### Notes:

- Do not expose the lens directly to sunlight or shoot a subject for a long time which is reflecting either a bright light or the light which is used for lighting.
- Flickering may result if the camera is used to shoot under fluorescent lights. Add extra lighting such as video lights (optional accessories) in cases like this.
- If the light quantity is too great, obtain an ND filter (62 mm diameter) from a camera store, and attach it in front of the lens.

---

---

## Tips on outdoor shooting

When, while shooting a subject outdoors under clear skies or for other reason, the brightness level of the subject itself is extremely high, it is recommended that the light quantity be adjusted using the electronic shutter or that an ND filter be added in front of the lens.

This unit does not contain an ND filter. Obtain an ND filter (62 mm diameter) from a camera store, and attach it in front of the lens.

---

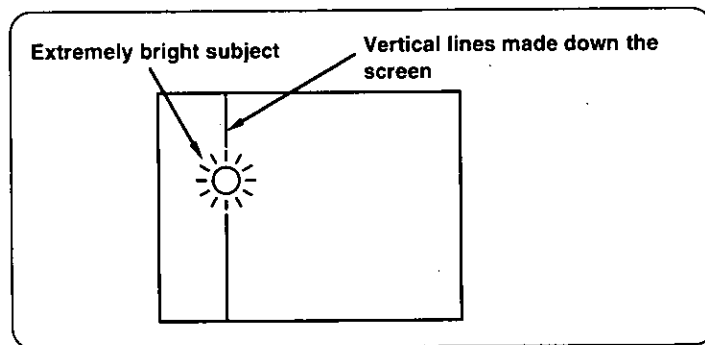
---

## Phenomena inherent to CCD cameras

The following phenomena are known to arise in CCD cameras.

### Smear

Although this unit has extremely low smear characteristics, smear may arise when shooting an extremely bright subject.



### Flicker

Flickering may occur if fluorescent lights are used for the lighting. This is the case in areas where the commercial power line frequency is 50 Hz or when a high shutter speed is used. To prevent flicker, set the electronic shutter speed to 1/100 where the commercial power line frequency is 50 Hz and to OFF where it is 60 Hz.

### Moiré

Shooting a subject with striped patterns may give rise to the formation of Moiré patterns.

### White streaks

White streaks may appear at high temperatures. They may be more conspicuous when the gain has been increased.

### Picture roughness

Roughness in a specific pattern may appear all over the screen when the temperature is extremely high.

# Troubleshooting

If you suspect trouble in your unit, proceed with the inspections or adjustments described below. Consult your dealer if the trouble persists even after you have taken the remedial action suggested.

Symptom	Inspection/adjustment	Reference page no.
<ul style="list-style-type: none"> <li>● The power fails to come on.</li> </ul>	<ul style="list-style-type: none"> <li>● Check if the battery still has a sufficient charge.</li> <li>● Check if the AC adaptor has been connected securely.</li> </ul>	—
<ul style="list-style-type: none"> <li>● The low battery warning is given (BATT LED or TALLY LED lights or flashes).</li> </ul>	<ul style="list-style-type: none"> <li>● Check if the battery still has a sufficient charge.</li> <li>● Check if the battery setting menu item has been set correctly. If the AC adaptor is being used, use the NiCd12 setting for the battery selection menu item.</li> </ul>	15, 50
<ul style="list-style-type: none"> <li>● The "BACKUP BATTERY EMPTY" message appears when the power is turned on.</li> <li>● The real time is not correct.</li> </ul>	<ul style="list-style-type: none"> <li>● The back-up battery may have reached the end of its service life (approx. 1 year). Consult with your dealer and replace it with a new one.</li> </ul>	16, 58
<ul style="list-style-type: none"> <li>● No operation results when the function buttons are pressed.</li> </ul>	<ul style="list-style-type: none"> <li>● Check the viewfinder for error messages.</li> </ul>	16, 17
<ul style="list-style-type: none"> <li>● The tape cannot be fast forwarded or rewind.</li> </ul>	<ul style="list-style-type: none"> <li>● Check if the tape has already been fast forwarded or rewind all the way to the end or beginning of the tape.</li> </ul>	—

# Condensation

---

Condensation may form on the head cylinder when the unit is moved from a cold location into a warm room or when it is operated in a humid environment.

The principle behind this phenomenon is the same as when droplets of water form on the window panes of a heated room.

These droplets are called condensation. If the tape is made to travel when condensation has formed, the head cylinder and tape may be damaged.

Take the following precautions regarding condensation:

- Before inserting the cassette tape, set the power switch to ON, and check that the VTR LED or TALLY LED is not lighted or flashing and that the HUMID display is not lighted on the display panel.
- Whenever possible, avoid operating the unit in situations where condensation is likely to form.
- When the unit is to be moved, remove the cassette tape before moving it.
- If the HUMID display flashes while the cassette tape is already loaded, take the following steps.
  1. Turn on the power.
  2. Press the EJECT button to eject the cassette tape.
  3. Wait until the HUMID display stops flashing.
  4. Once the HUMID display has stopped flashing, insert the cassette tape and run it.
  5. Check that no trouble occurs.

# Maintenance

---

- The unit has a precision-made construction inside which is designed to deliver a high performance. Take care to conduct proper maintenance in order to keep the unit in perfect working order for many years to come. Sophisticated technology and equipment are required to replenish the oil, replace the parts or adjust the electrical components. Consult your dealer as to when these steps need to be taken.
- Failure to adhere to the maintenance and inspection routine, which involves removing the dirt and dust from inside, replenishing the lubricating oil and replacing the worn parts (such as heads), will make it impossible for the unit to produce quality pictures and proper recordings. It will also shorten the unit's service life. Ensure that the unit is maintained and inspected well ahead of time.

## Cleaning the heads

When the heads need to be cleaned, use the AJ-CL12LP cleaning cassette. Follow the handling instructions accompanying the cleaning cassette since the video heads may be damaged if it is used incorrectly.

## Cleaning the lens

- Maintain and inspect the lens once a year.
- Wiping the lens may leave scratches on it. Use an air blower or a brush with soft bristles to blow or brush away the dirt or dust which may have accumulated on the lens surface.
- If grease or fingerprints have been left on the lens, use a lens cleaner available from a camera shop, and wipe the lens starting from its center. Make circular motions and work toward the edges.

Ensure that droplets of water will not find their way to the lens when shooting in rainy or snowy conditions.

Once the lens has been removed from the camera, attach the lens cap to prevent dust and dirt accumulating on the inside of the lens.

## Cleaning the viewfinder

- Do not use paint thinners or other solvents to remove dirt on the viewfinder.
- Use a lens cleaner available from a camera store to wipe the lens.
- Under no circumstances must the mirrors be touched. Use an air blower available from a camera store to blow away any dirt or dust which may have accumulated on them.



# Specifications

---

## [GENERAL]

<b>Power supply:</b>	DC12 V (10.5V to 17.0V)
<b>Power consumption:</b>	16W (main unit including viewfinder)

**Operating ambient temperature:**

32°F to 104°F (0°C to 40°C)

**Storage ambient temperature:**

-4°F to 140°F (-20°C to 60°C)

**Operating ambient humidity:**

Less than 80% (relative humidity)

**Continuous operation time:**

Approx. 120 minutes

(with Anton Bauer Trimpack 14, continuous recording time)

**Dimensions**

(W × H × D): 4-15/16" × 11-1/2" × 13-5/16" (126 × 292 × 337 mm)

**Weight:**

7.7 lbs (3.5 kg) for main unit only

13.0 lbs (5.9 kg) for with NP-1 battery, viewfinder, Fujinon 14× lens,  
123-minute tape

## [CAMERA]

**Image sensor:** 1/3" IT-type CCD with on-chip lens (pixel shift system) ×3

**Pixels:** 542 (H) × 492 (V)

**Horizontal drive frequency:**

11.25 MHz

**Sensitivity:** 2000 lux, f/5.6

**Minimum illumination:** 5 lux (f/1.4 +18 dB)

**S/N ratio:** 60 dB (TYP)

**Horizontal resolution:** Approx. 500 lines (center)

**Vertical resolution:** 400 lines

**Sampling frequency:** 13.5 MHz/27 MHz

**Shutter speeds:** 1/100, 1/125, 1/250, 1/500, 1/1000, 1/2000, 1/4000, 1/8000

**Gain selection:** 0/6/12 dB or 0/9/18 dB

**Lens mount:** 1/3" bayonet mount

**Color separation optical system:**

Prism system (f/1.4)

**Registration error:** Less than 0.03% (full range, excluding lens distortion)

## [VIEWFINDER]

**Display tube:** 1.5" high-resolution monochrome tube

**Horizontal resolution:** 600 lines (center)

**External controls:** BRIGHT, CONTRAST, PEAKING controls,  
TALLY ON/OFF, ZEBRA ON/OFF, CHARACTER ON/OFF switches

**[VTR]** The video and audio performance specifications apply for a tape which has been recorded on this unit and played back on a standard player (ANALOG COMPONENT OUT).

**Tape speed:** 33.8201 mm/sec  
**Recording/playback time:** Approx. 123 min. (using AJ-P123LP)  
**FF/REW time:** Approx. 5 min. 40 sec.  
**Video signal band:** Brightness = 0 Hz to 5.75 MHz, +1.0 dB/-3.0 dB  
**S/N ratio:** 55 dB  
**Linearity:** Less than 2%  
**Y/C delay:** Within 20ns  
**Audio sampling frequency:** 48 kHz (synchronized with video)  
**Quantizing:** 16 bits/sample  
**Frequency response:** 20 Hz to 20 kHz,  $\pm 1.0$  dB (at reference level)  
**Distortion:** Less than 0.2% (at 1 kHz, operating level)  
**Crosstalk:** Less than -65 dB (between channels, at 1 kHz)  
**Wow and flutter:** Below measurable limits  
**Headroom:** 20 dB

### **[CONNECTORS]**

**INPUT FRONT MIC:** Phantom +48V (built-in microphone), -60 dBu, balanced, 3 k $\Omega$   
(-60, -50 or -40 dBu setting possible on menu)  
**AUDIO IN CH1/CH2 (XLR, 3P):**  
-60, -50 or -40 dBu setting possible on menu, balanced, 10 k $\Omega$   
Internal DIP switch setting:  
Phantom 48V output possible  
line (-6/0/+4 dBu) switchable

**OUTPUT AUDIO OUT CH1/CH2 (Phono pin jack):**  
-6 dBu, unbalanced, low impedance output  
**HEADPHONE OUT:** Stereo mini jack  
**VIDEO OUT (BNC):** 1.0 V<sub>P-P</sub>, 75  $\Omega$   
**S-VIDEO OUT:** Y signal = 1.0 V<sub>P-P</sub>, 75  $\Omega$   
C signal = 0.286 V<sub>P-P</sub> (burst), 75  $\Omega$

**OTHER LENS (12P)**

### **[ACCESSORIES]**

1.5" viewfinder  
Microphone (attached to main unit)  
Battery holder (attached to main unit)  
Battery mounting connector and screw supporting Sony-made battery (NP-1B)



---

# **Panasonic**

Broadcast & Television Systems Company

## **Division of Matsushita Electric Corporation of America**

### **Executive Office**

One Panasonic Way (4B-7), Secaucus, NJ 07094

### **Service Centers**

**Eastern:** One Panasonic Way, Panazip (2A-4), Secaucus, NJ 07094  
(201)-348-7677 Fax (201)-348-7511

**Southern:** 1225 Northbrook Parkway, Suite #170, Suwanee, GA 30174  
(770)-338-6855 Fax (770)-338-6656

**Western:** 4001 West Alameda Ave., Suite 100, Burbank, CA 91505  
(818)-562-1579 Fax (818)-562-6663

### **Parts Information & Ordering**

9:00 am – 5:00 pm (EST) (800)-334-4881/24 hr.Fax (800)-334-4880

### **Technical Support**

Emergency 24 hr Parts & Support (800)-222-0741

### **Training Information**

Digital System Products (201)-392-6076

### **Service Literature**

(201)-392-6281

### **Panasonic Canada Inc.**

5770 Ambler Drive, Mississauga, Ontario L4W 2T3 (905)-624-5010

### **Panasonic de Mexico S.A. de C.V.**

Av angel Urraza Num. 1209 Col. de Valle 03100 Mexico, D.F. (52) 1 951 2127

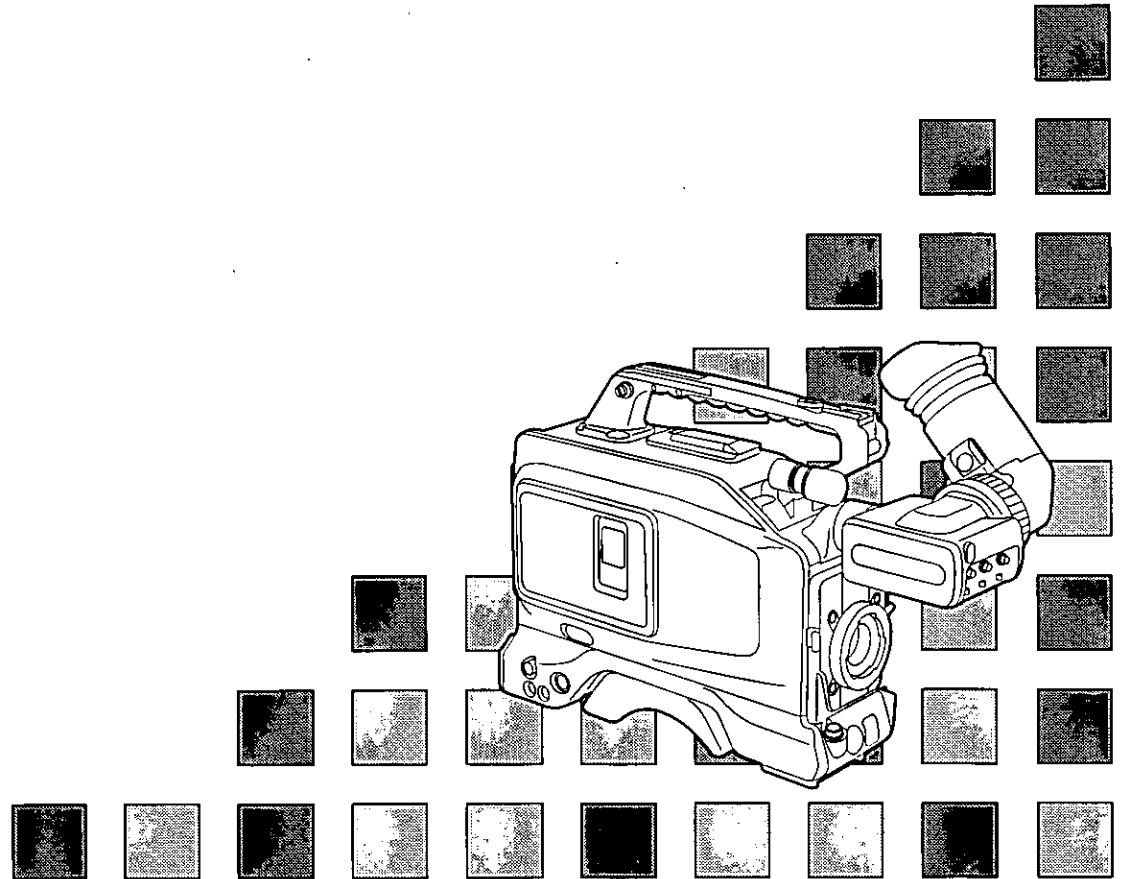
# Panasonic

**DVC PRO**  
DIGITAL VIDEO CASSETTE

Caméscope numérique

**AJ-D210 P**

**Manuel d'utilisation**



**ATTENTION****RISQUE DE CHOCS  
ÉLECTRIQUES  
NE PAS OUVRIR**

ATTENTION: AFIN DE PRÉVENIR LE RISQUE DE CHOCS  
ÉLECTRIQUES, NE PAS RETIRER LES VIS.  
TOUTE RÉPARATION DEVRAIT ÊTRE CONFÉE À UN  
PERSONNEL COMPÉTENT.



Le symbole de l'éclair dans un triangle  
équilatéral indique la présence d'une tension  
suffisamment élevée pour engendrer un  
risque de chocs électriques.



Le point d'exclamation dans un triangle  
équilatéral indique que le manuel  
d'instructions inclus avec l'appareil contient  
d'importantes recommandations quant au  
fonctionnement et à l'entretien de ce dernier.

**ATTENTION:**

**AFIN DE PRÉVENIR TOUT RISQUE  
D'INCENDIE, DE CHOCS ÉLECTRIQUES OU  
D'INTERFÉRENCES, N'UTILISER QUE LES  
ACCESSOIRES RECOMMANDÉS.**

**MISE EN GARDE:**

**AFIN DE PRÉVENIR TOUT RISQUE  
D'INCENDIE OU DE CHOCS ÉLECTRIQUES,  
ÉVITER D'EXPOSER CET APPAREIL À LA  
PLUIE OU À UNE HUMIDITÉ EXCESSIVE.**

**ATTENTION:**

Le produit que vous avez acheté est alimenté par une  
pile au nickel-cadmium. La pile est recyclable. Pour  
obtenir des renseignements sur les façons de  
recycler cette pile, appeler au 1-800-8 BATTERY.

Remplacer la pile exclusivement par une pile No.  
CR2032 ou BR2032.

Le fait d'utiliser un autre type de pile pourrait poser un  
risque de feu ou d'explosion.

Attention—La pile risque d'exploser si elle n'est pas  
manipulée avec soin. Ne pas la recharger, la  
démonter ni la jeter au feu.

 indique les consignes de sécurité.

# Table des matières

---

<b>Précautions à prendre</b> .....	5
<b>Caractéristiques</b> .....	5
<b>Points à se rappeler</b> .....	5
<b>Organigramme du système</b> .....	6
<b>Les commandes et leurs fonctions</b> .....	7-12
<b>Zoom électrique 14X (vendu séparément)</b> .....	13, 14
<b>Affichages sur le viseur</b> .....	15-18
Affichage électroluminescent .....	15
Affichage des caractères.....	15
Affichage des messages d'erreur.....	16, 17
<b>Préparatifs</b> .....	18-34
• <b>Fixation des périphériques</b> .....	18-30
Fixation de l'objectif.....	18
Fixation du viseur .....	19
Retrait de l'ocillon .....	20
Réglage de la position de l'oculaire.....	20
Réglage de la position de l'ocillon .....	20
Utilisation avec un bloc-batterie Anton/Bauer .....	21
Utilisation avec le bloc-batterie AU-BP402 .....	22-24
Utilisation avec le bloc-batterie Sony NP-1B.....	25, 26
Utilisation avec une source d'alimentation secteur (avec l'adaptateur secteur AU-B110/AJ-B75) .....	27
Fixation du support de microphone (vendu séparément).....	28
Fixation de l'appareil sur un trépied .....	29, 30
Fixation de la bandoulière (vendue séparément) .....	30
Réglage de la position du rembourrage d'épaule.....	31
• Réglage de la date et de l'heure.....	32, 33
• Réglage du viseur.....	34
• Réglage du foyer arrière .....	35
<b>Réglages pendant la prise de vues</b> .....	36-40
Tenue de la caméra.....	36
Mouvements de la caméra.....	36
Réglage de l'exposition .....	37
Prise de vues au zoom.....	38
Prise de vues rapprochée .....	39
Sources d'éclairage et températures de couleur.....	40
<b>Réglage de l'équilibre des blancs</b> .....	41, 42

<b>Enregistrement normal</b> .....	43-45
Affichage de zébrures .....	44
Réglage du gain .....	44
Obturateur à grande vitesse.....	45
<b>Enregistrement audio</b> .....	46
<b>Révision d'enregistrement</b> .....	47
<b>Reprise</b> .....	47
<b>Arrêt sur image</b> .....	47
<b>Menus de réglage</b> .....	48-57
Procédure de réglage.....	48, 49
Menu MAIN FUNCTION.....	50
Menu AUDIO.....	51
Menu VF DISPLAY.....	52
Menu CAMERA SETTING .....	53
Menu TIME/DATE .....	54
Menu MAINTENANCE .....	55
Données SCENE (enregistrement de données d'actualités).....	56, 57
<b>Remplacement de la pile de sauvegarde</b> .....	58
<b>Sélection de l'entrée audio</b> .....	59
<b>Conseils relatifs à l'éclairage</b> .....	60, 61
Eclairage de studio.....	60
Conseils pour les prises de vues en extérieur .....	61
<b>Phénomènes inhérents aux caméras CCD</b> .....	61
Estompage .....	61
Scintillement.....	61
Moiré .....	61
Lignes blanches .....	61
Irrégularité de l'image.....	61
<b>Guide de dépannage</b> .....	62
<b>Condensation</b> .....	63
<b>Entretien</b> .....	64
Nettoyage des têtes .....	64
Nettoyage de la lentille.....	64
Nettoyage du viseur .....	64
<b>Données techniques</b> .....	65, 66



# Précautions à prendre

---

## 1. Vibrations

Éviter d'utiliser l'appareil dans les endroits où il risque d'être soumis à de fortes vibrations.

## 2. Température ambiante

L'appareil est conçu pour fonctionner lors d'une température entre 0°C et 40°C (32°F à 104°F). Faire attention si l'appareil doit fonctionner en dehors de cette plage, car il risque de développer des différences de compatibilité ou de ne pas fonctionner correctement, et sa durée de service risque d'être raccourcie.

## 3. Pluie, humidité et poussière

Utiliser le moins possible l'appareil sous la pluie ou dans des environnements très humides car de la condensation risque de se former à l'intérieur, provoquant des pannes. Faire attention lorsque l'appareil doit fonctionner dans un environnement très poussiéreux car la poussière risque de pénétrer à l'intérieur de l'appareil, ce qui provoquera notamment une dégradation des fonctions.

## 4. Soleil

Ne pas diriger l'objectif de la caméra sur le soleil lorsque le diaphragme est ouvert. L'oculaire du viseur ne devra pas non plus être dirigé sur le soleil. Le non respect de cette mise en garde pourrait provoquer un mauvais fonctionnement interne.

## 5. Manipulation

Ne pas faire tomber l'appareil ni le heurter. Le non respect de cette mise en garde pourrait provoquer un mauvais fonctionnement. Par ailleurs, ne pas insérer d'objets à l'intérieur de l'appareil lorsque le couvercle de la cassette est en position soulevée.

## 6. Champs électriques et magnétiques puissants

Noter que le fait d'utiliser l'appareil dans un champ électrique ou magnétique puissant risque de provoquer des interférences avec l'image ou avec le son.

# Caractéristiques

---


**Ensemble caméra/magnétoscope intégré compact, léger et à faible consommation d'énergie**

## Caméra à haute qualité d'image

- Une image stable et de haute qualité est garantie sur une longue durée grâce aux processus numériques.
- L'appareil possède un lecteur/générateur de signal de base de temps interne.
- Des objectifs 1/3 pouce interchangeables permettent un fonctionnement de tout premier niveau.

## Autres caractéristiques

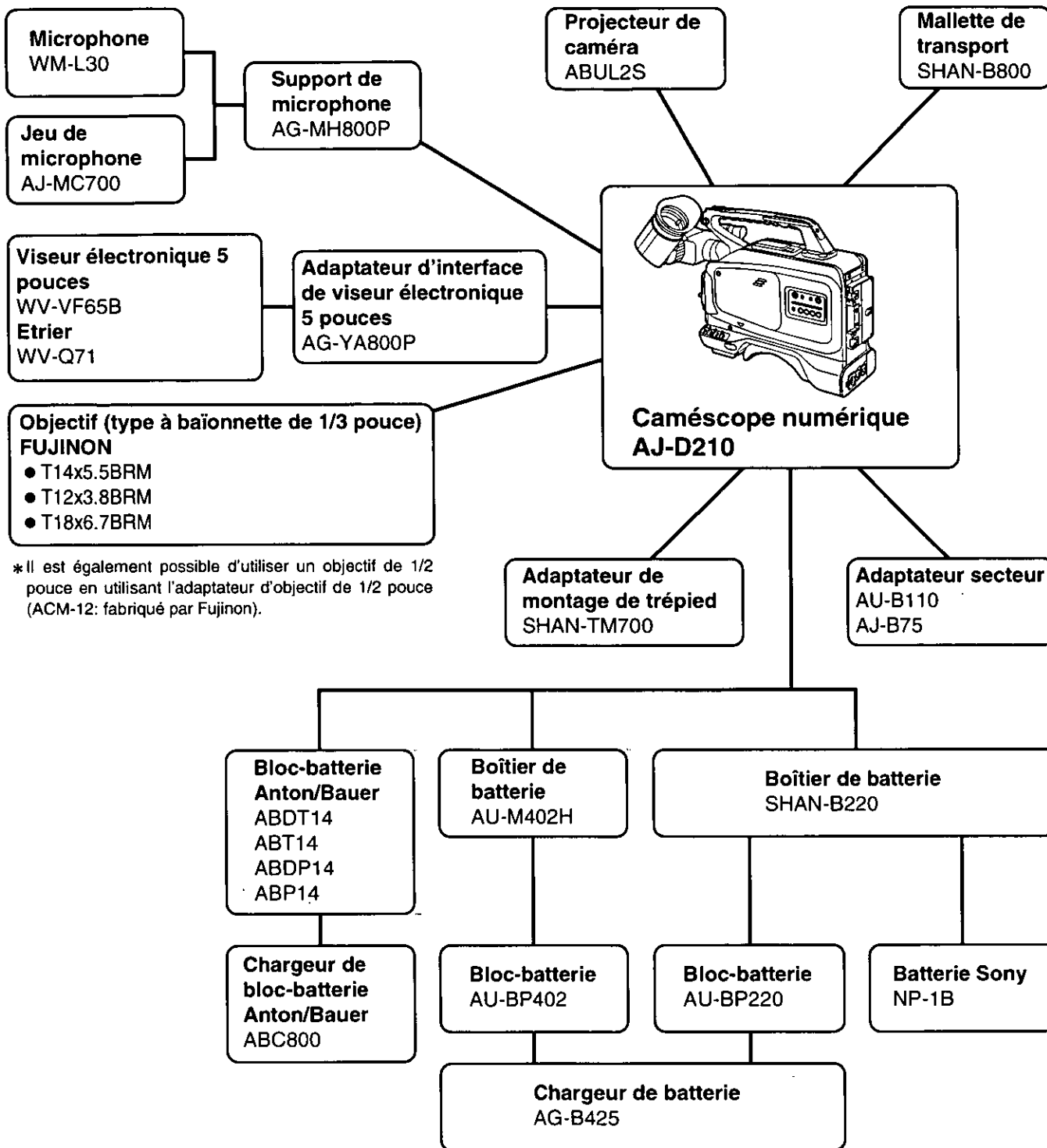
- Un grand nombre de fonctions peuvent être réglées en toute facilité sur le menu à l'écran.

- Réduction de bruit Dolby fabriquée sous licence de Dolby Laboratories Licensing Corporation.
- DOLBY et le symbole Double-D  sont des marques de Dolby Laboratories Licensing Corporation.

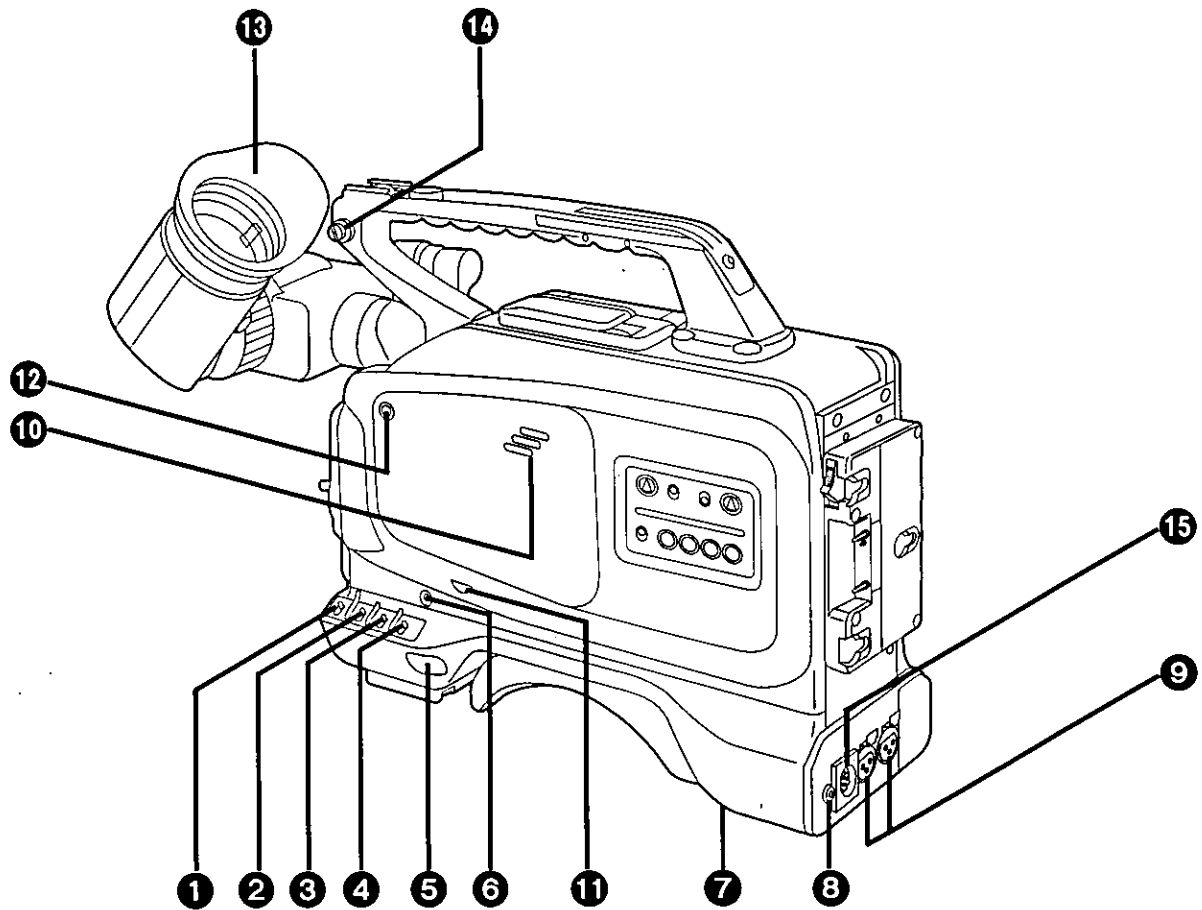
### Attention :

- \* Ce caméscope ne supporte que les cassettes DVC PRO de format "L".  
Ne pas utiliser de cassettes DV grand public ni de cassettes d'autres formats.

# Organigramme du système



# Les commandes et leurs fonctions



## 1 Sélecteur de gain (GAIN)

Lorsque l'image de la caméra est sombre, changer la position de ce sélecteur pour augmenter le gain et rendre l'image plus brillante.

**0dB:** Normalement, placer le sélecteur à cette position.

**6/9dB:** Le gain de l'amplificateur vidéo de la caméra augmente à cette position. Sélectionner tout d'abord 6 dB ou 9 dB à l'aide du menu à l'écran. Pour les détails, se reporter aux menus de réglage (pages 48, 49 et 53).

**12/18dB:** Le gain de l'amplificateur vidéo de la caméra augmente à cette position. Sélectionner tout d'abord 12 dB ou 18 dB à l'aide du menu à l'écran. Pour les détails, se reporter aux menus de réglage (pages 48, 49 et 53).

Le bruit augmente également quand le gain est augmenté.

## 2 Sélecteur de l'équilibre des blancs

**MEMO:** Quand le sélecteur de l'équilibre automatique des blancs/noirs (AUTO W/B BAL) du panneau avant est réglé, l'équilibre des blancs est automatiquement réglé, et ce réglage est automatiquement sauvegardé dans la mémoire interne.

**PRST:** Bien que le mode pré-réglé ait été réglé sur INDOOR en usine, il est possible de régler l'une des trois valeurs au choix à l'aide du menu à l'écran. Pour les détails, se reporter aux menus de réglage (pages 48, 49 et 53).

EXTERIEUR	INTERIEUR	FLUOR
5000K	3200K	4500K

**ATW:** C'est le mode d'équilibre des blancs pour le pistage automatique.

**Remarque:**

Il n'est pas toujours possible d'obtenir un équilibre des blancs correct avec certains types d'éclairage.

### 3 Sélecteur de sortie (OUTPUT)

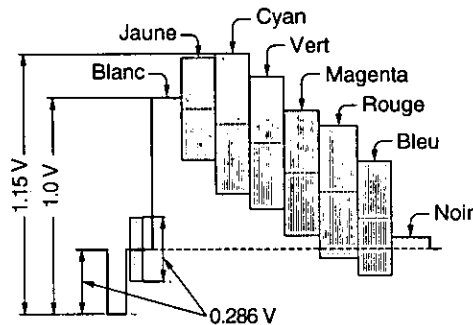
**CAM:** Les signaux vidéo captés par la caméra sont acheminés.

**BAR:** Les signaux de la barre de couleur sont acheminés.

#### <Remarque>

La figure ci-dessous montre les niveaux de sortie qui apparaissent comme signaux de barre de couleur sur cet appareil.

Noter qu'ils sont différents des signaux des barres de couleur SMPTE.



### 4 Commutateur d'obturateur (SHUTTER)

C'est le sélecteur de marche/arrêt de l'obturateur électronique.

**OFF:** L'obturateur électronique n'est pas activé à cette position.

**ON:** L'obturateur électronique est activé à cette position.

**SELECT:** Cette position permet de changer la vitesse de l'obturateur électronique. Ce commutateur ne se verrouille pas. A chaque pression, la vitesse d'obturation change d'un cran dans l'ordre suivant: 1/100 → 1/125 → 1/250 → 1/500 → 1/1000 → 1/2000 → 1/4000 → 1/8000. Après 1/8000, la vitesse revient à 1/100.

### 5 Interrupteur (POWER)

**ON:** Le caméscope entier est mis en contact.

**OFF:** Le caméscope est mis hors contact.

### 6 Touche vérification de mode (MODE CHECK)

Elle permet de vérifier les réglages de la caméra dans le viseur.

### 7 Touche disjoncteur (BREAKER)

Si une anomalie se produit à la suite d'un flux de courant excessivement élevé à l'intérieur du caméscope, le disjoncteur se déclenche pour mettre automatiquement l'appareil hors contact et le protéger.

Enfoncer cette touche à la position "in" après avoir inspecté l'intérieur de l'appareil et corrigé la cause de l'anomalie. Le contact est rétabli si aucune panne ne s'est produite.

### 8 Prise d'écouteur (PHONE)

Il est possible d'effectuer un contrôle sonore en raccordant un écouteur (stéréo) à cette prise. Quand l'écouteur est raccordé, le son ne parvient plus par le haut-parleur.

### 9 Prises d'entrée audio

Raccorder des microphones externes à ces prises. Il est également possible de raccorder des signaux d'entrée de ligne en réglant le commutateur interne à la position correspondante.

### 10 Haut-parleur

Le son est contrôlé via ce haut-parleur.

- Le son émis par le haut-parleur est automatiquement coupé lorsqu'un écouteur est raccordé à la prise PHONE.
- Le son de la voie 1 et de la voie 2 est mélangé et il est perçu comme son de contrôle.

### 11 Commande de niveau de contrôle audio

C'est la commande qui permet de régler le volume du son de contrôle.

### 12 Touche marque/annulation (MARK/CANCEL)

C'est le commutateur de fonction pour les données SCENE. Pour les détails, se reporter à la sélection sur la fonction de données SCENE (pages 56 et 57).

### 13 Viseur

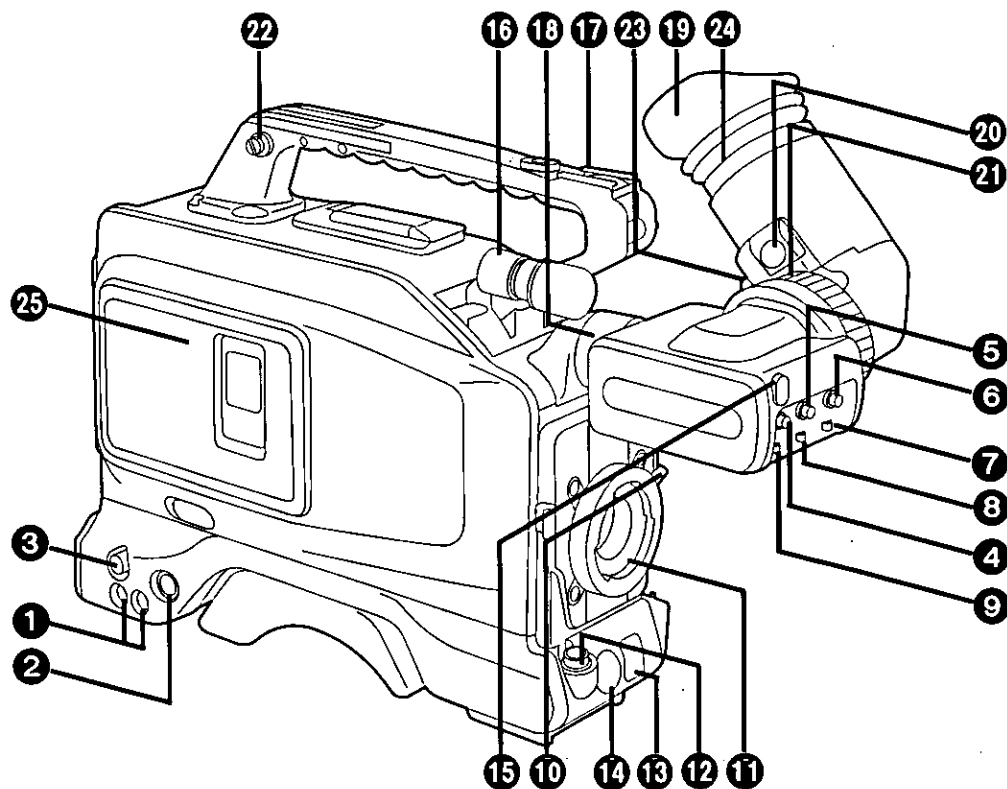
### 14 Monture de bandoulière

Elle permet de fixer la bandoulière.

### 15 Prise d'entrée c.c. externe (DC)

C'est la prise d'alimentation c.c. (DC) externe. Y raccorder l'adaptateur secteur.

Quand l'adaptateur secteur est raccordé à cette prise, le contact est automatiquement établi via la source externe.



**1 Prises de sortie audio (AUDIO OUT) (prises à contact)**

**2 Prise de sortie S-vidéo (S-VIDEO OUT) (connecteur Y/C)**

**ATTENTION :**

Noter que si une opération faisant intervenir la lecture d'un ruban sur ce magnétoscope (par exemple une vérification d'enregistrement ou une reprise) est effectuée quand un magnétoscope de réserve est raccordé à la prise S-VIDEO OUT, les images lues sur cet appareil seront enregistrées sur le magnétoscope de réserve.

**3 Prise de sortie vidéo (VIDEO OUT)**

**ATTENTION :**

Noter que si une opération faisant intervenir la lecture d'un ruban sur ce magnétoscope (par exemple une vérification d'enregistrement ou une reprise) est effectuée quand un magnétoscope de réserve est raccordé à la prise VIDEO OUT, les images lues sur cet appareil seront enregistrées sur le magnétoscope de réserve.

**4 Commande alignement de crête (PEAKING)**

Tourner cette commande pour renforcer le contour des images du viseur afin de faciliter la mise au point. Cette commande est sans effet sur les signaux de sortie de la caméra.

**5 Commande contraste (CONTRAST)**

Elle permet de régler le contraste de l'image du viseur. Cette commande est sans effet sur les signaux de sortie de la caméra.

**6 Commande luminosité (BRIGHT)**

Elle permet de régler la luminosité de l'image du viseur. La tourner vers la droite pour rendre l'image plus lumineuse. Cette commande est sans effet sur les signaux de sortie de la caméra.

**7 Commutateur signalisation (TALLY ON/OFF)**

**ON:** Le voyant de signalisation sur le devant du viseur s'éclaire.

**OFF:** Le voyant de signalisation sur le devant du viseur ne s'éclaire pas.

**8 Commutateur zébrure (ZEBRA ON/FF)**

**ON:** Un motif de zébrures s'affiche dans le viseur.

**OFF:** Aucun motif de zébrures ne s'affiche.

**9 Commutateur caractères (CHARACTER ON/FF)**

Il permet d'activer et de désactiver l'affichage des caractères.

**ON:** Les caractères sont affichés dans le viseur.

**OFF:** Les caractères ne sont pas affichés dans le viseur.

L'affichage de la température de couleur en mode ATW et les marques de données SCENE apparaissent même si le commutateur caractères (CHARACTER ON/OFF) est réglé à la position OFF.

**10 Levier de serrage d'objectif**

Après avoir fixé l'objectif sur la monture d'objectif, serrer ce levier pour verrouiller l'objectif.

**11 Monture d'objectif (type à baïonnette)**

Fixer l'objectif à cette monture.

**12 Connecteur d'objectif (12 contacts)**

Brancher le câble de raccordement d'objectif dans ce connecteur. Pour la description détaillée de l'objectif à utiliser, se reporter au manuel qui accompagne l'objectif.

**13 Sélecteur de l'équilibre automatique des blancs/noirs (AUTO W/B BAL)**

**AWB:** L'équilibre des blancs et des noirs est automatiquement réglé. Si le sélecteur de l'équilibre des blancs est à la position MEMO et que le sélecteur d'équilibre automatique des blancs/noirs (AUTO W/B BAL) est ensuite actionné, la valeur est enregistrée dans la mémoire de l'appareil. Noter que cette opération n'est pas possible si le sélecteur est à la position ATW ou PRST.

**14 Touche début/arrêt du magnétoscope (VCR START/STOP)**

Elle permet de déclencher ou d'arrêter l'enregistrement.

**15 Voyant de signalisation (TALLY)**

Il s'éclaire pendant que l'image captée par la caméra est enregistrée sur le magnétoscope. Il s'éclaire ou il clignote en parallèle avec le voyant de signalisation (TALLY) à l'intérieur du viseur.

**16 Microphone**

Ce microphone compact est de type unidirectionnel. Toutefois, s'il est remplacé par le support (vendu séparément), un microphone hautement directionnel pourra être monté à la place.

**17 Orifice d'accessoire**

Il permet de monter des accessoires, par exemple un projecteur vidéo.

**18 Bague de serrage du viseur**

Elle permet de fixer et de retirer le viseur. En desserrant la bague de serrage, le viseur pourra tourner sur 90° et être dirigé vers le haut.

**19 Œilleton**

**20 Levier de dégagement de l'œilleton**

Il permet de retirer l'œilleton. Déplacer le levier dans le sens de la flèche et tirer sur l'œilleton pour le retirer.

**21 Butée de serrage du viseur**

Elle permet de régler la position du viseur. Desserrer la butée et déplacer le viseur vers la gauche ou vers la droite pour régler sa position. Une fois la position réglée, resserrer la butée pour verrouiller le viseur.

**22 Monture de bandoulière**

Elle permet d'attacher la bandoulière.

**23 Commande de réglage de dioptrie (fond de l'appareil)**

La régler à la vue de l'opérateur pour qu'il puisse voir les images avec netteté dans le viseur.

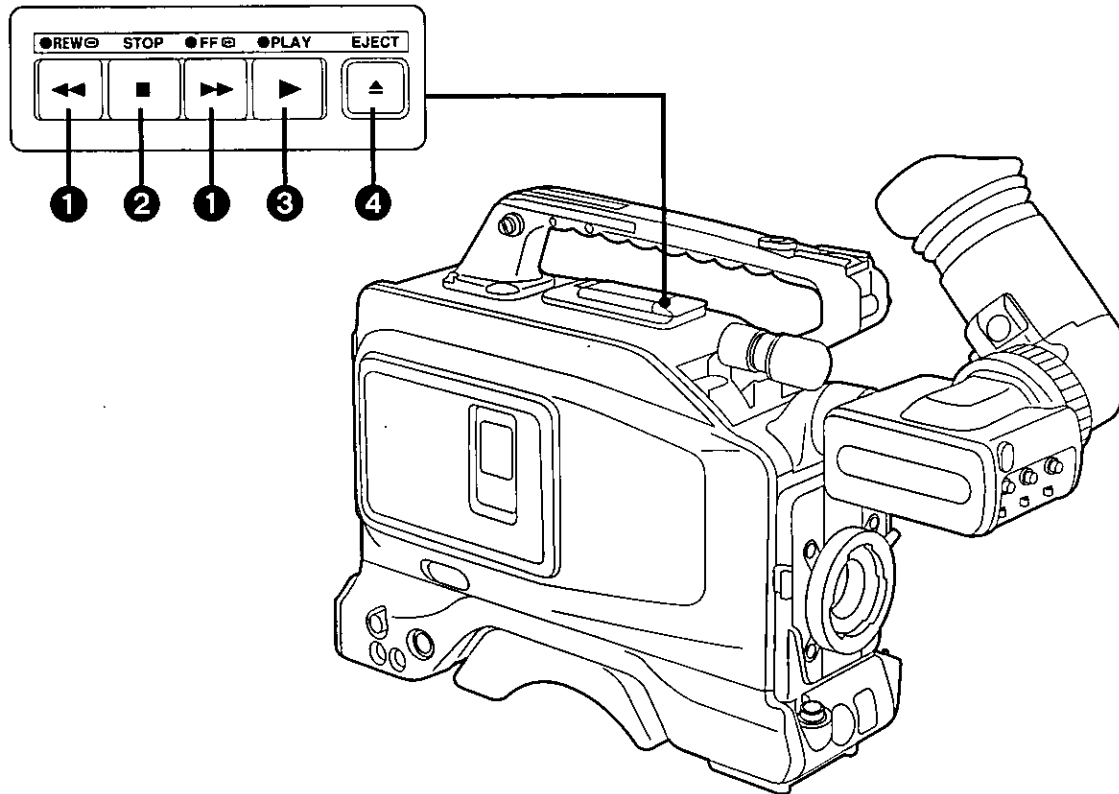
**24 Bague de réglage de la position de l'oculaire**

En position non verrouillée, l'oculaire pourra être déplacé vers l'avant ou vers l'arrière. Après avoir effectué le réglage, ramener la bague à la position LOCK pour verrouiller l'oculaire.

**25 Compartiment de la cassette**

C'est dans cette fente que la cassette est insérée.

## Touches de fonction



### 1 Touches reboinage (REW)/avance accélérée (FF)

- Lorsque la touche reboinage (REW) ou avance accélérée (FF) est pressée alors que le ruban est arrêté, le ruban se reboine ou avance en accéléré normalement en mode E-E.
- Si les touches sont pressées pendant la lecture, le ruban se reboine ou avance en accéléré à environ 4,5 fois la vitesse de défilement normale.
- Si les touches sont pressées pendant un arrêt sur image ou une pause d'enregistrement, le ruban est revu ou repéré à environ 1 fois la vitesse de défilement normale.

### 2 Touche arrêt (STOP)

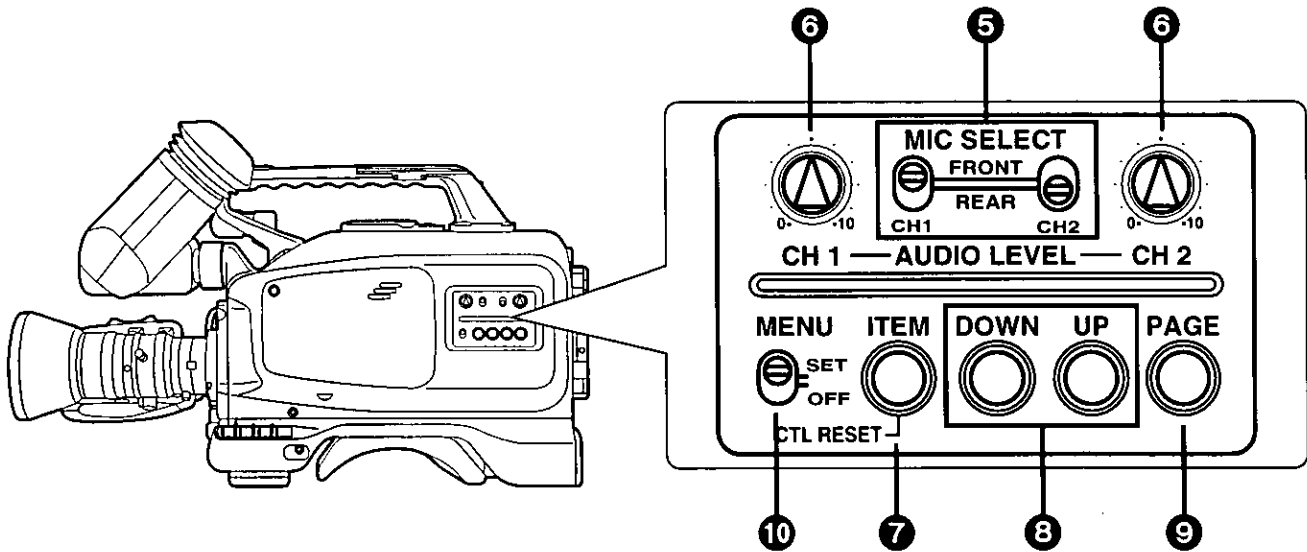
Le ruban cesse de défiler lorsque cette touche est pressée. Elle ne fonctionne pas pendant l'enregistrement. Pour arrêter le ruban pendant l'enregistrement, mettre tout d'abord le magnétope en mode pause d'enregistrement (REC/PAUSE), et appuyer sur la touche arrêt (STOP).

### 3 Touche/voyant lecture (PLAY)

La lecture du ruban commence quand cette touche est pressée, et le voyant s'éclaire. Une nouvelle pression fait passer l'appareil en mode arrêt sur image (STILL), et une autre pression le ramène au mode lecture (PLAY).

### 4 Touche éjection (EJECT)

Quand cette touche est pressée, le compartiment de la cassette se soulève, ce qui permet d'insérer ou de retirer la cassette. Elle ne fonctionne pas si le magnétope est en mode enregistrement. Pour éjecter la cassette en mode enregistrement (REC), mettre tout d'abord l'appareil en mode pause d'enregistrement, puis appuyer sur la touche éjection (EJECT).



**5 Sélecteurs d'entrée audio (MIC SELECT)**

Ils permettent de sélectionner l'entrée audio de la voie 1 ou de la voie 2.

**FRONT:** Régler à cette position pour enregistrer les signaux audio du microphone interne de la caméra.

**REAR:** Régler à cette position pour raccorder un microphone externe aux prises d'entrée audio (XLR 3P) du panneau arrière et enregistrer leurs signaux audio.

**6 Commandes de niveau audio**

Elles permettent de régler le niveau d'enregistrement des voies 1 et 2.

**7 Touche rubrique (ITEM)**

Elle permet de sélectionner les menus de réglage. Lorsque le commutateur menu (MENU) 9 est à la position OFF, elle tient lieu de touche de remise à zéro du compteur CTL.

**8 Touches bas (DOWN) et haut (UP)**

Elles permettent de changer les valeurs des menus de réglage.

**9 Touche page (PAGE)**

Elle permet de régler les menus de réglage.

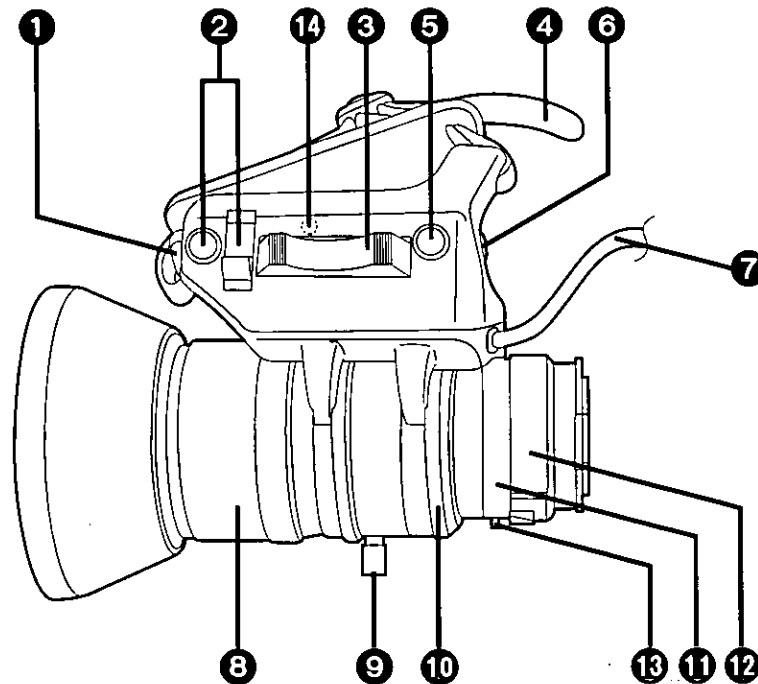
**10 Commutateur réglage/arrêt de menu (MENU SET/OFF)**

**SET:** Placer le commutateur à cette position pour afficher ou régler les menus de réglage.

**OFF:** Normalement, placer le commutateur à cette position.



# Zoom électrique 14X (vendu séparément)



## 1 Commande de diaphragme automatique

Elle permet d'effectuer un réglage automatique de la vitesse du diaphragme.

La commande se trouve à l'intérieur lorsque le capuchon en caoutchouc est retiré. Pour augmenter la vitesse, tourner la commande vers la droite, mais noter que si la commande est tournée trop loin, il en résultera un balayage (l'opération ne s'arrête pas).

Régler impérativement la commande lorsque l'objectif est remplacé ou qu'il est fixé pour la première fois.

## 2 Sélecteur diaphragme (IRIS)

**Côté (A):** Le diaphragme se règle automatiquement.

**Côté (M):** Placer à cette position pour régler le diaphragme manuellement.

## 3 Commutateur de commande de zoom électrique

Le zoom est commandé électriquement si le sélecteur de zoom manuel/électrique est placé à la position SERVO et que ce commutateur de commande est pressé. La vitesse du zoom change en fonction de l'intensité de la pression sur le commutateur.

## 4 Poignée

Régler la poignée à la taille du poignet.

## 5 Sélecteur de retour (RET, REC CHECK)

Ce sélecteur permet de vérifier les enregistrements. Lorsqu'il est pressé pendant une pause d'enregistrement, la fonction de vérification d'enregistrement s'active, elle lit la section qui vient d'être enregistrée, puis l'appareil commute en pause d'enregistrement.

## 6 Sélecteur de début/arrêt du magnétoscope

Ce sélecteur facilement accessible est pratique pour débuter et arrêter l'enregistrement sur le magnétoscope. Lorsqu'une pression est exercée, l'enregistrement commence; si une nouvelle pression est exercée, l'enregistrement s'arrête. Si cet objectif est monté sur la caméra, le magnétoscope peut être piloté soit par ce sélecteur, soit par le sélecteur début/arrêt de la caméra.

## 7 Câble d'objectif (12 contacts)

Ce câble se raccorde à la prise d'objectif (LENS).

## 8 Bague de mise au point

Tourner cette bague pour effectuer la mise au point sur le sujet.

## 9 Bague de zoom

La taille de l'image se règle en plaçant le sélecteur de zoom électrique/manuel à la position MANU puis en tournant cette bague.

---

**10 Bague de diaphragme**

Le diaphragme se règle en plaçant le sélecteur de diaphragme (IRIS) à la position M puis en tournant cette bague.

**11 Bague de réglage du foyer arrière**

Le foyer arrière se règle en desserrant le bouton de serrage du foyer arrière puis en tournant cette bague. Régler la bague lorsque l'objectif est remplacé ou qu'il est fixé pour la première fois.

**12 Bague macro**

La prise de vue rapprochée s'effectue en réglant l'objectif à fond vers la position d'ouverture puis en tournant cette bague.

**13 Bouton de serrage de foyer arrière**

Utiliser ce bouton à des fins de serrage une fois que le foyer arrière a été réglé.

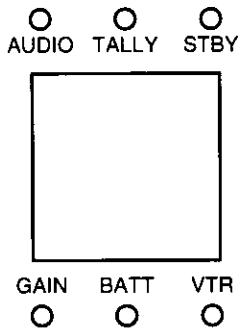
**14 Sélecteur de zoom électrique/manuel**

Lorsqu'il est à la position SERVO, le zoom se règle à l'aide du commutateur de commande de zoom électrique ; à la position MANU, il se règle à l'aide de la bague de zoom.

**Voir également le manuel d'utilisation qui accompagne l'objectif.**

# Affichage sur le viseur

## Affichages électroluminescents



**AUDIO (jaune):** Non utilisé par le système.

**TALLY (rouge):** S'éclaire pendant l'enregistrement; clignote pendant l'approche de fin de section enregistrée à partir du chargement ou s'il s'est produit une anomalie.

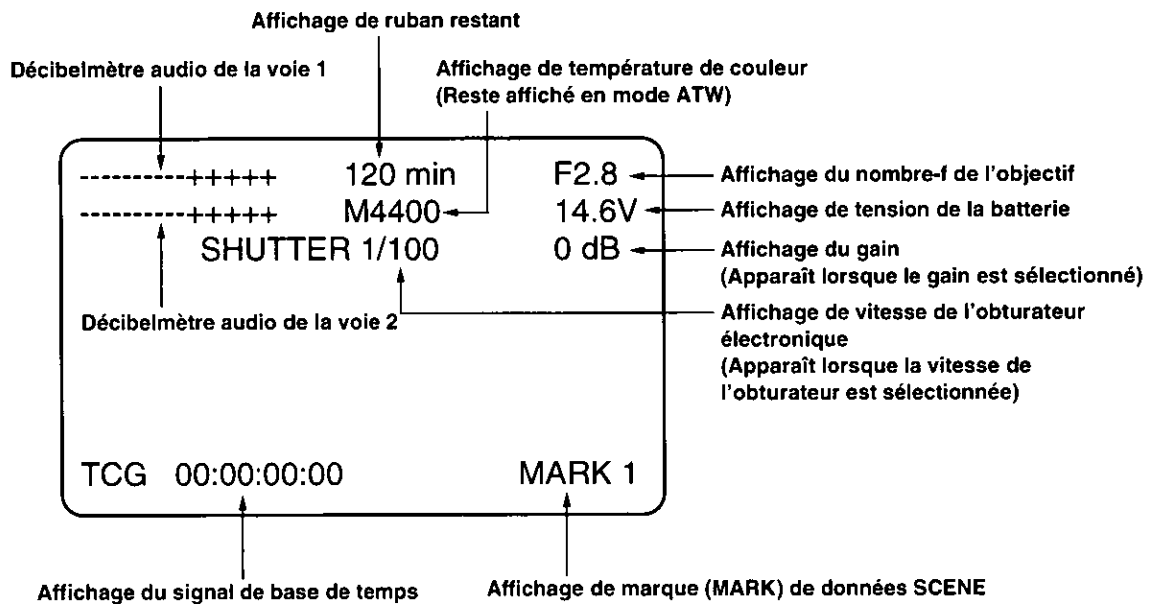
**STBY (vert):** Non utilisé par le système.

**GAIN (jaune):** S'éclaire lorsque le gain de la caméra est augmenté.

**BATT (jaune):** Clignote lorsque la batterie est déchargée.

**VTR (jaune):** S'éclaire ou clignote lorsqu'une anomalie s'est produite dans l'appareil.

## Affichage des caractères



- Ces affichages apparaissent lorsque le commutateur CHARACTER à l'avant du viseur est à la position ON.
- Chacun de ces affichages pourra être désactivé à l'aide des menus.
- Lorsque le sélecteur de vérification de mode est pressé, les états actuels s'affichent, que les affichages individuels aient été activés ou désactivés à l'aide des menus ou que le sélecteur de caractères (CHARACTER) ait été activé ou désactivé.
- L'affichage de la température de couleur en mode ATW et les marques de données SCENE apparaissent même si le commutateur caractères (CHARACTER ON/OFF) est réglé à la position OFF.

## Affichage des messages d'erreur

Lorsqu'une anomalie se produit, un message d'erreur apparaît au registre.

Il y a deux sortes de messages d'erreur; ceux qui apparaissent lorsque l'appareil est hors contact, et ceux qui apparaissent pendant le fonctionnement.

Les tableaux ci-dessous indiquent les causes et les mesures à effectuer pour chaque message d'erreur.

### Messages d'erreur qui s'affichent lorsque l'appareil est hors contact

Affichage d'erreur	Cause	Mesure
BACKUP BATTERY EMPTY	Apparaît lorsque la pile de l'horloge interne est épuisée.	Remplacer la pile de sauvegarde de l'appareil. Pour la procédure de remplacement, se reporter à la page 58, et consulter son détaillant.
	<p><b>Remarques:</b>            Une pile de sauvegarde épuisée aura des répercussions sur l'horloge et sur le fonctionnement libre du signal de base de temps, mais les autres fonctions ne seront pas affectées. Remplacer la pile de sauvegarde dès que possible.            L'affichage BACKUP BATTERY EMPTY apparaît même lorsque l'appareil est remis en contact après le remplacement de la pile de sauvegarde. Ceci est normal.</p>	
FLASH MEMORY EMPTY	Apparaît lorsque les données parasites de la mémoire flash interne ont besoin d'être vidées. L'appareil renferme une mémoire spéciale appelée mémoire flash qui contient tous les menus de réglage, les données de réglage de l'équilibre des blancs et autres types de données. Cette mémoire étant spéciale, les vieilles données devenues inutiles, après un nouveau réglage des menus par exemple, sont conservées en mémoire. Il faudra donc vider ces données parasites de temps en temps.	Vider les données parasites sur le menu MAINTENANCE. Se reporter aux menus de réglage (pages 48, 49 et 55).
	<p><b>Remarque:</b>            L'affichage apparaît suffisamment à l'avance, de sorte qu'il n'est pas nécessaire de paniquer et de vider les données parasites immédiatement. L'opération de vidage des données parasites exige un certain temps (environ une minute); elle sera donc effectuée à un moment libre.</p>	

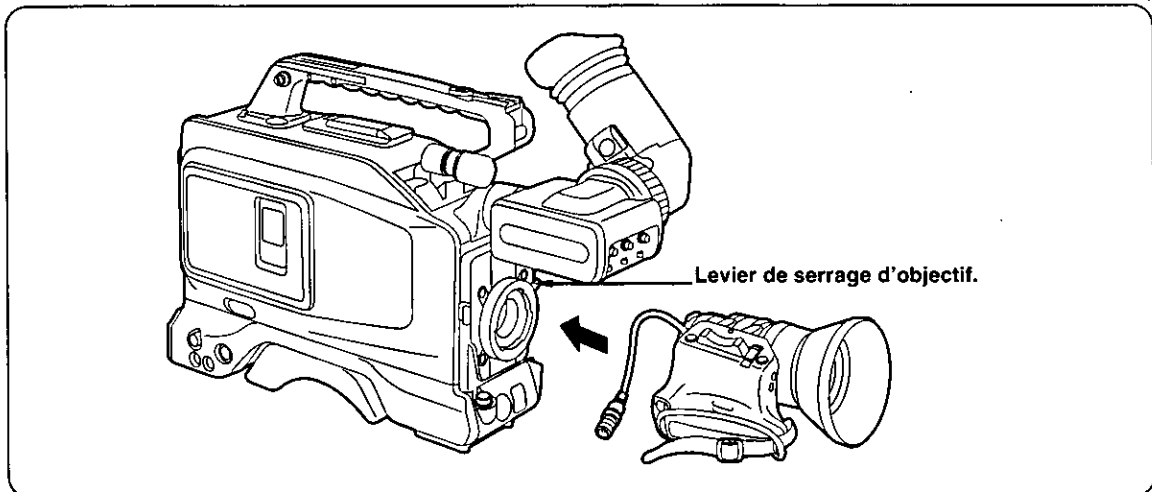
## Messages d'erreur qui s'affichent pendant le fonctionnement

Affichage d'erreur	Cause	Mesure
TOO BRIGHT ERROR	Apparaît lorsque l'équilibre des blancs doit être réglé (lorsque le sélecteur de l'équilibre automatique des blancs/noirs (AUTO W/B BAL) a été actionné) ou que l'écran est trop brillant.	Réduire légèrement le diaphragme et régler l'équilibre des blancs. Si l'affichage d'erreur demeure, insérer l'obturateur électronique ou fixer le filtre ND.
TOO DARK ERROR	Apparaît lorsque l'équilibre des blancs doit être réglé (lorsque le sélecteur de l'équilibre automatique des blancs/noirs (AUTO W/B BAL) a été actionné) ou que l'écran est trop sombre.	Ouvrir légèrement le diaphragme, augmenter le gain (si la luminosité du sujet le justifie) et régler l'équilibre des blancs. Si l'affichage d'erreur demeure, éclairer le sujet.
LENS UNIT ERROR	Apparaît lorsque le câble d'objectif est débranché ou que le circuit de commande de diaphragme de l'objectif est endommagé.	La cause en est presque toujours un câble d'objectif débranché. Si l'affichage apparaît toujours alors que le câble a été branché correctement, consulter son détaillant.
SELECT SW ERROR	Apparaît lorsque le sélecteur de l'équilibre automatique des blancs/noirs (AUTO W/B BAL) a été actionné et que le sélecteur de sortie (OUTPUT) est placé à une position autre que MEMO.	Régler l'équilibre des blancs (à l'aide du sélecteur de l'équilibre automatique des blancs/noirs (AUTO W/B BAL)) avec le sélecteur de sortie (OUTPUT) à la position MEMO.
OUTPUT SW ERROR	Apparaît lorsque le sélecteur de l'équilibre automatique des blancs/noirs (AUTO W/B BAL) a été actionné et que le sélecteur de sortie (OUTPUT) est placé à une position autre que CAM.	Régler l'équilibre des blancs (à l'aide du sélecteur de l'équilibre automatique des blancs/noirs (AUTO W/B BAL)) avec le sélecteur de sortie (OUTPUT) à la position CAM.
BLACK BAL ERROR	Indique une anomalie de la caméra.	Consulter son détaillant.
WHITE BAL ERROR TRY AGAIN	Cet affichage apparaît si, pour une raison ou pour une autre, l'équilibre des blancs n'a pu être réglé correctement.	Si le message TOO BRIGHT ERROR, TOO DARK ERROR ou LENS UNIT ERROR apparaît, effectuer la correction qui s'impose, puis essayer à nouveau de régler l'équilibre des blancs. Si le message WHITE BAL ERROR TRY AGAIN apparaît mais non le message TOO BRIGHT ERROR, TOO DARK ERROR ou LENS UNIT ERROR, recommencer le réglage de la balance des blancs. Si l'affichage apparaît toujours après deux ou trois tentatives, consulter son détaillant.
<b>Référence:</b> Les erreurs ci-dessus sont détectées lors du réglage de l'équilibre des blancs (lorsque le sélecteur de l'équilibre automatique des blancs/noirs (AUTO W/B BAL) a été actionné). L'erreur LENS UNIT ERROR est également détectée tout de suite après la mise sous tension.		
SERVO	Apparaît à la lecture d'une section non enregistrée d'un ruban ou à d'autres moments lorsque l'asservissement du magnétoscope est libéré.	Il est normal que cet affichage apparaisse à la lecture d'une section non enregistrée. Si l'affichage demeure pendant la lecture d'un ruban qui est enregistré ou pendant un enregistrement, cela est signe d'anomalie. Consulter son détaillant.
HUMID	Cela signifie qu'il s'est formé de la condensation. Pour les instructions détaillées, se reporter à la page 63.	Voir les instructions détaillées à la page 63.
POWER OFF	Ceci n'est pas un message d'erreur. Cet avertissement indique que l'appareil va bientôt se mettre hors contact.	

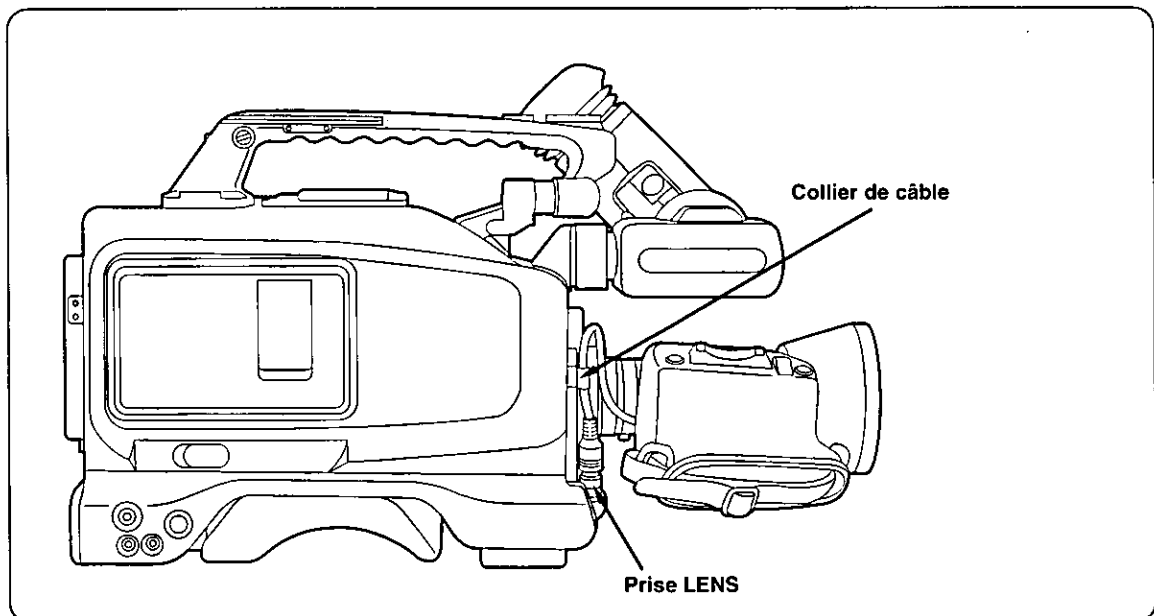
## ■ Fixation des périphériques

### Fixation de l'objectif

- 1** Placer l'objectif sur l'appareil, l'insérer et le verrouiller à l'aide du levier de serrage d'objectif.



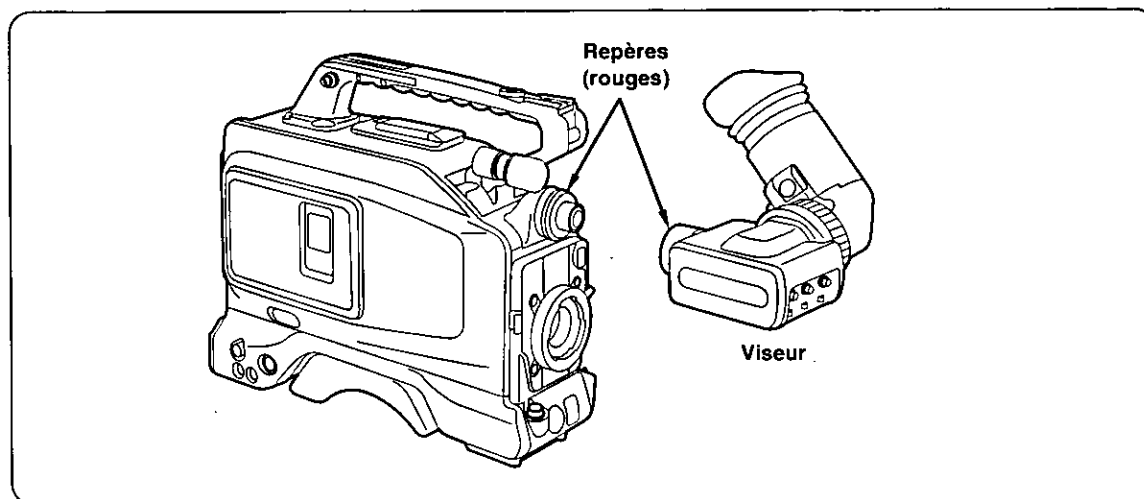
- 2** Raccorder le cordon à la prise LENS et le verrouiller à l'aide du collier de câble.



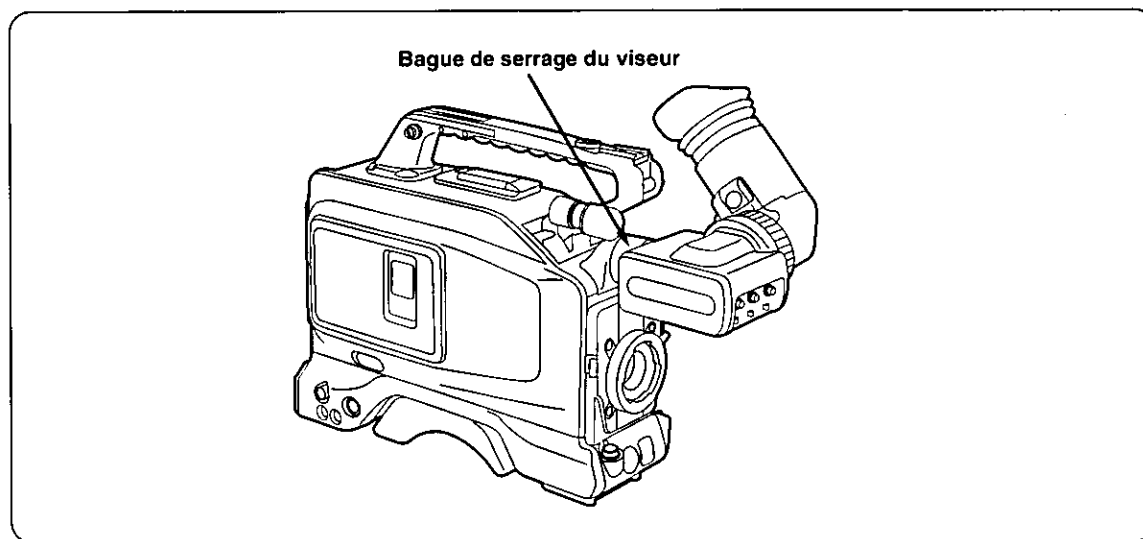
- Remarques:
- Pour les détails sur la manipulation de l'objectif, se reporter au manuel d'utilisation qui accompagne l'objectif.
  - Lorsque l'objectif est détaché du caméscope, fixer le capuchon d'objectif afin de protéger l'appareil.

## Fixation du viseur

**1** Aligner les repères (rouges) l'un sur l'autre et insérer le viseur.

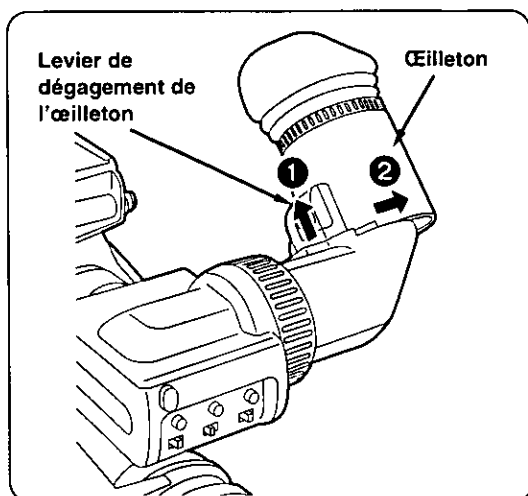


**2** Tourner la bague de serrage du viseur pour verrouiller le viseur.



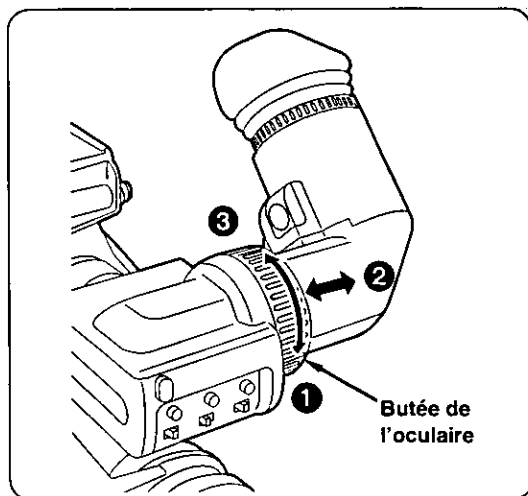
Le viseur pourra tourner de 90° si la bague de serrage est desserrée.

## Retrait de l'ocilleton



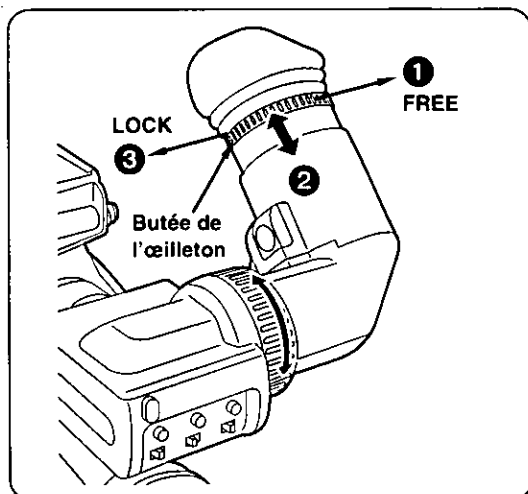
- 1 Déplacer le levier de dégagement de l'ocilleton dans le sens de la flèche.
- 2 Glisser l'ocilleton dans le sens indiqué pour le retirer.

## Réglage de la position de l'oculaire



- 1 Mettre la butée de l'oculaire à la position FREE.
- 2 Déplacer l'oculaire vers la gauche ou vers la droite de façon à obtenir la position permettant la visualisation la plus commode.
- 3 Resserrer la butée de l'oculaire.

## Réglage de la position de l'ocilleton



- 1 Mettre la butée de l'ocilleton à la position FREE.
- 2 Régler l'ocilleton en le déplaçant vers l'avant ou vers l'arrière.
- 3 Ramener la butée de l'ocilleton à la position LOCK pour verrouiller l'ocilleton.

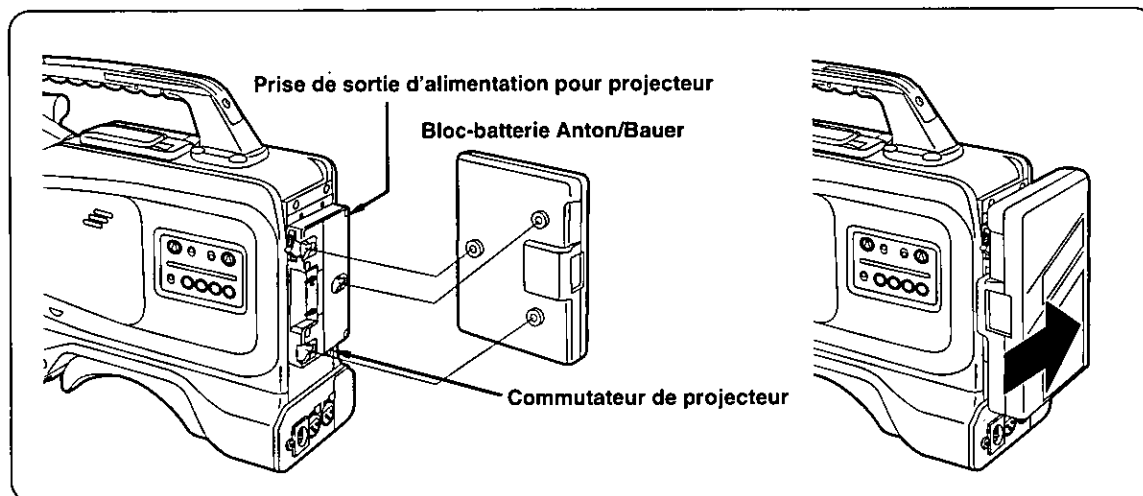


## Utilisation avec un bloc-batterie Anton/Bauer

Avant d'utiliser le bloc-batterie, le charger à l'aide d'un chargeur de batterie spécial Anton/Bauer. Pour la durée de charge et les autres détails, se reporter au manuel d'utilisation qui accompagne le chargeur de batterie.

### 1 Fixer le bloc-batterie Anton/Bauer.

L'insérer dans le sens de la flèche et le glisser à fond.



■ Sur le support de batterie Anton/Bauer se trouve une prise de sortie d'alimentation prévue pour un projecteur et un commutateur de projecteur, qui permettent de fixer un projecteur en toute facilité. Pour les détails sur les systèmes d'éclairage, s'adresser à un représentant Anton/Bauer.

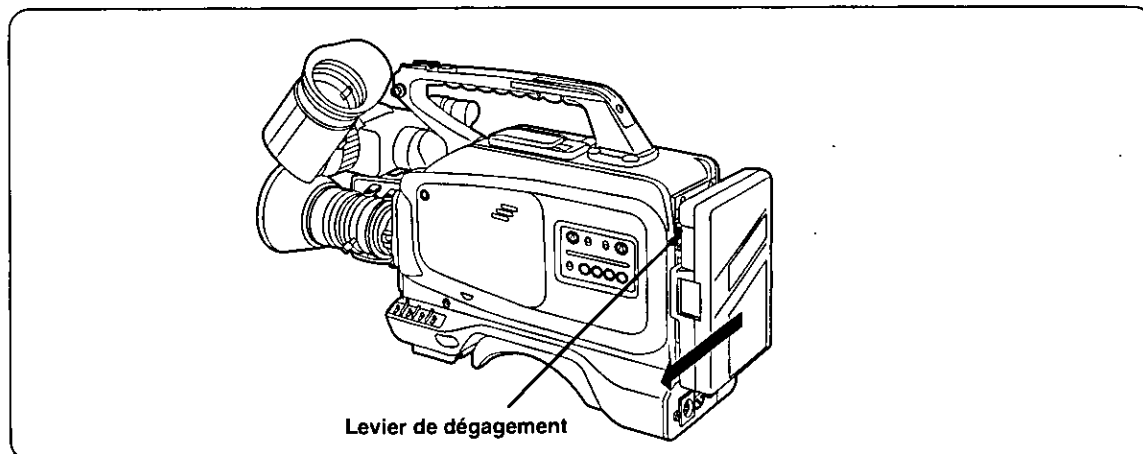
### 2 Régler le menu 7. BATTERY (BATT.SELECT) à la batterie utilisée.

Pour les détails, se reporter aux menus (pages 48 à 50).

Remarque:

■ Pour retirer le bloc-batterie

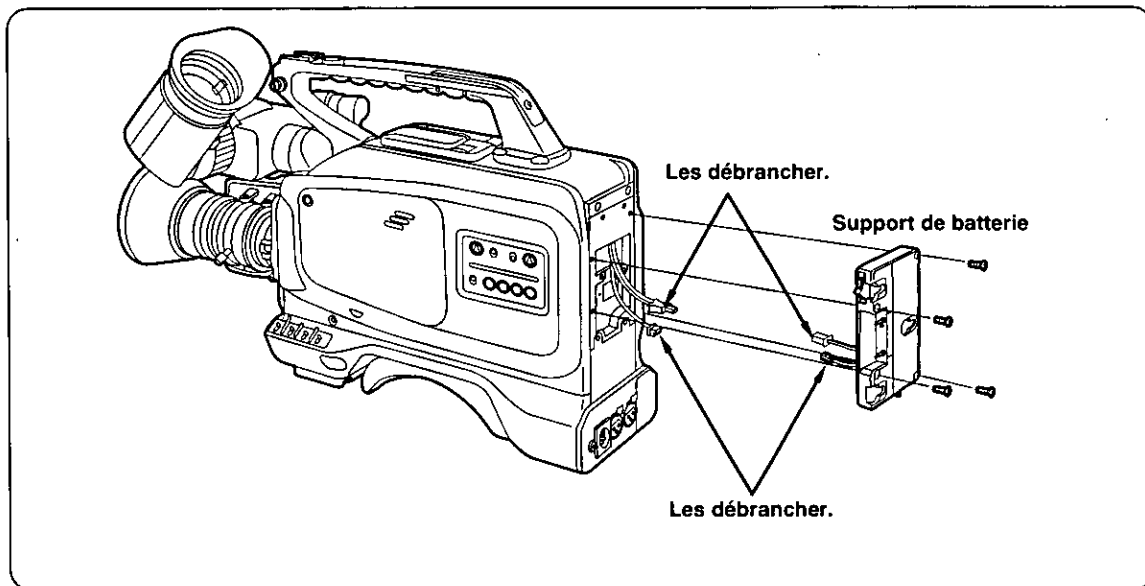
Tout en appuyant à fond sur le levier de dégagement du support de batterie, glisser le bloc-batterie dans le sens de la flèche.



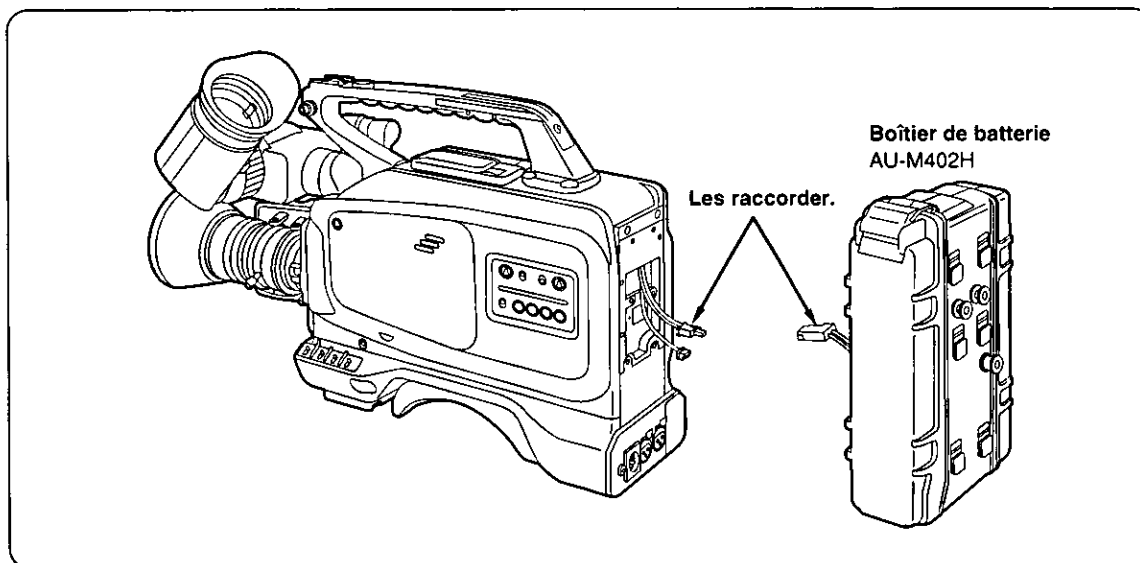
## Utilisation avec le bloc-batterie AU-BP402

Recharger le bloc-batterie AU-PB402 à l'aide du chargeur de batterie AG-B425. Il faudra environ un heure pour recharger le bloc-batterie. Pour les détails, se reporter au manuel d'utilisation qui accompagne le chargeur de batterie.

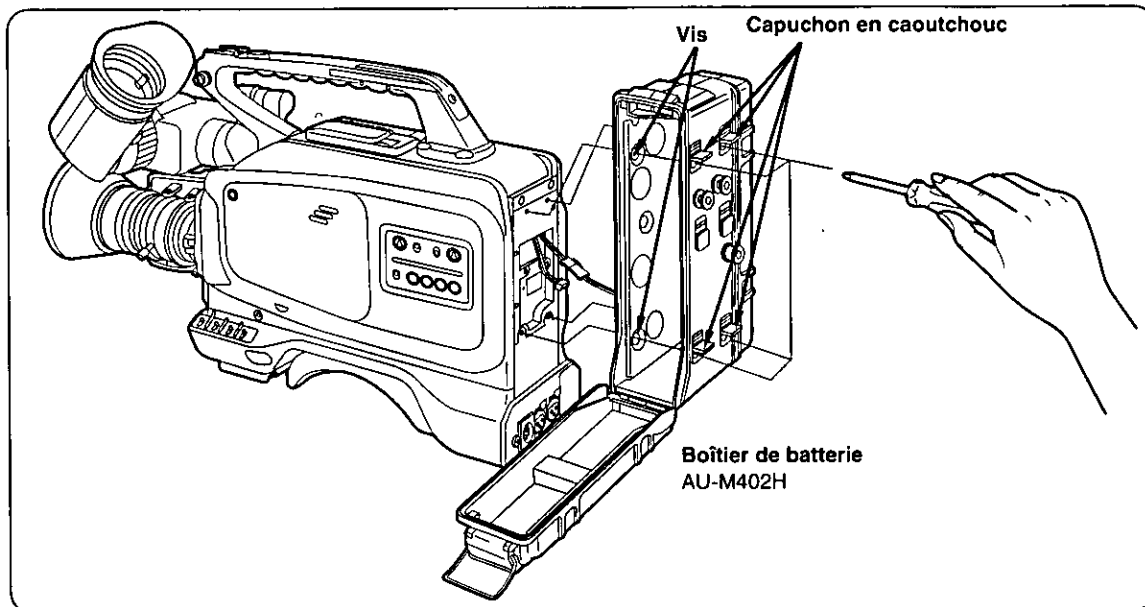
### 1 Retirer le support de batterie.



### 2 Raccorder les câbles de l'appareil aux câbles du boîtier de batterie AU-M402H.



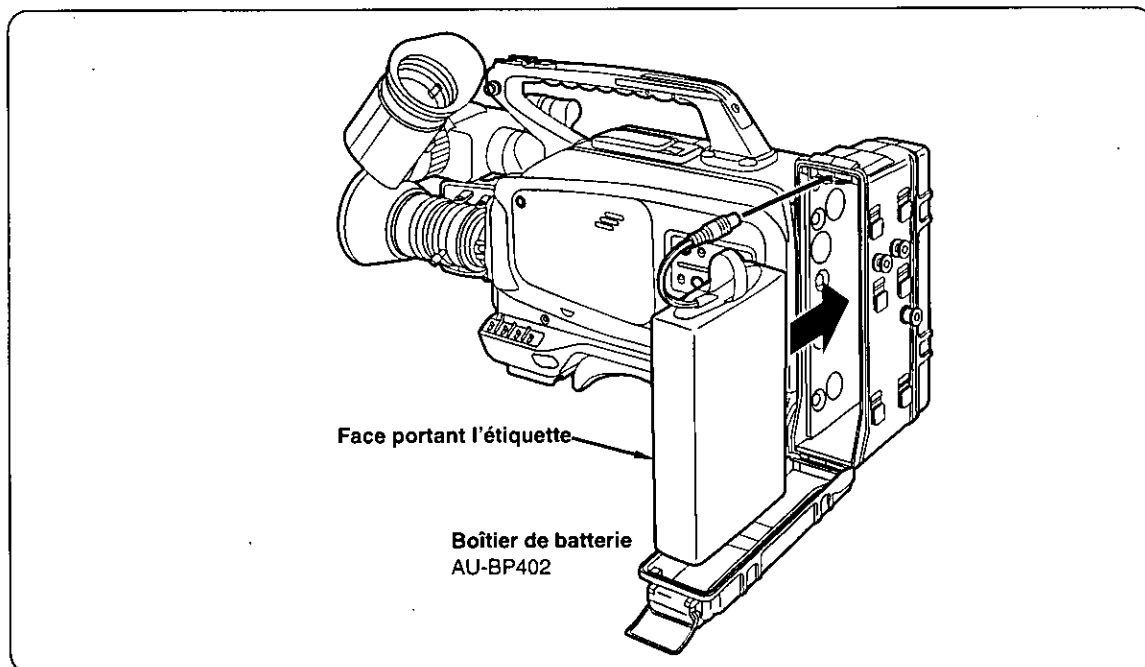
**3** Fixer le boîtier de batterie AU-M402H sur l'appareil à l'aide d'un tournevis.



Les orifices avec les vis dans le renforcement s'aperçoivent lorsque le couvercle est ouvert et les capuchons de caoutchouc relevés. Serrer ces vis à l'aide d'un tournevis de façon à fixer le boîtier de batterie sur l'appareil. Serrer les vis à fond.

**ATTENTION:** Ne pas tirer trop fort sur les capuchons en caoutchouc.

**4** Brancher la fiche du boîtier de batterie dans la prise à l'intérieur du boîtier de batterie, et mettre le bloc-batterie dans le boîtier.



**ATTENTION:** Mettre l'appareil hors contact avant de brancher ou de débrancher la fiche.

---

## 5 Régler le menu 7.BATTERY (BATT.SELECT) à la position NiCd12V.

### Ecran du menu (viseur)

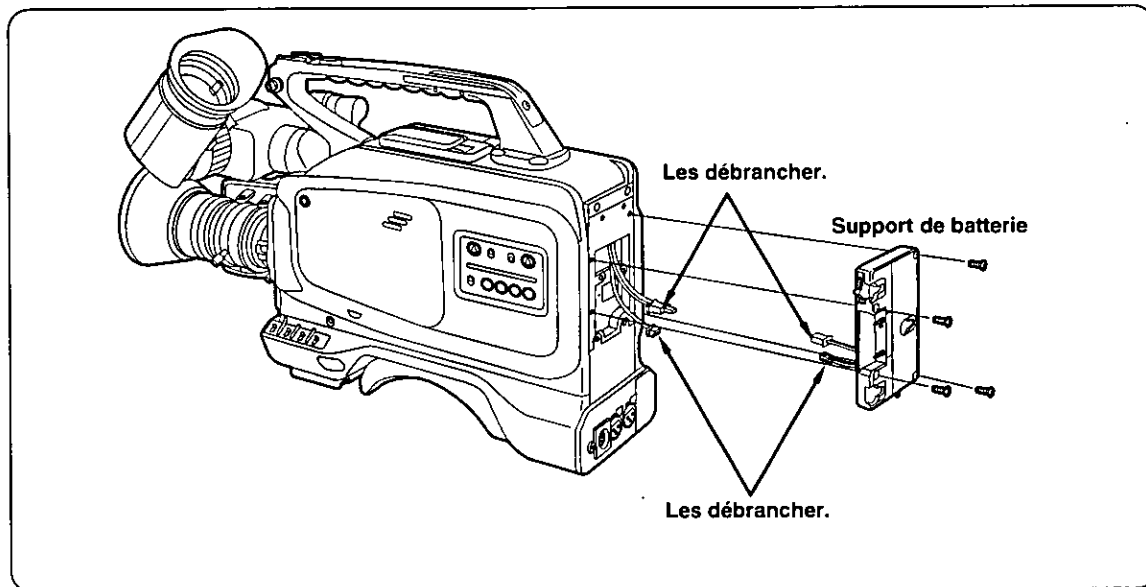
```
      - MAIN FUNCTION -  
TCG CLEAR  
RECRUN/FREERUN      : REC  
DF/NDF               : DF  
  
SCENE DATA SAVE  
SCENE DATA UNDEL  
- BATT. SELECT       : NiCd12  
BACK TALLY          : ON  
  
MENU INITIALIZE
```

Pour les détails, se reporter aux menus (pages 48 à 50).

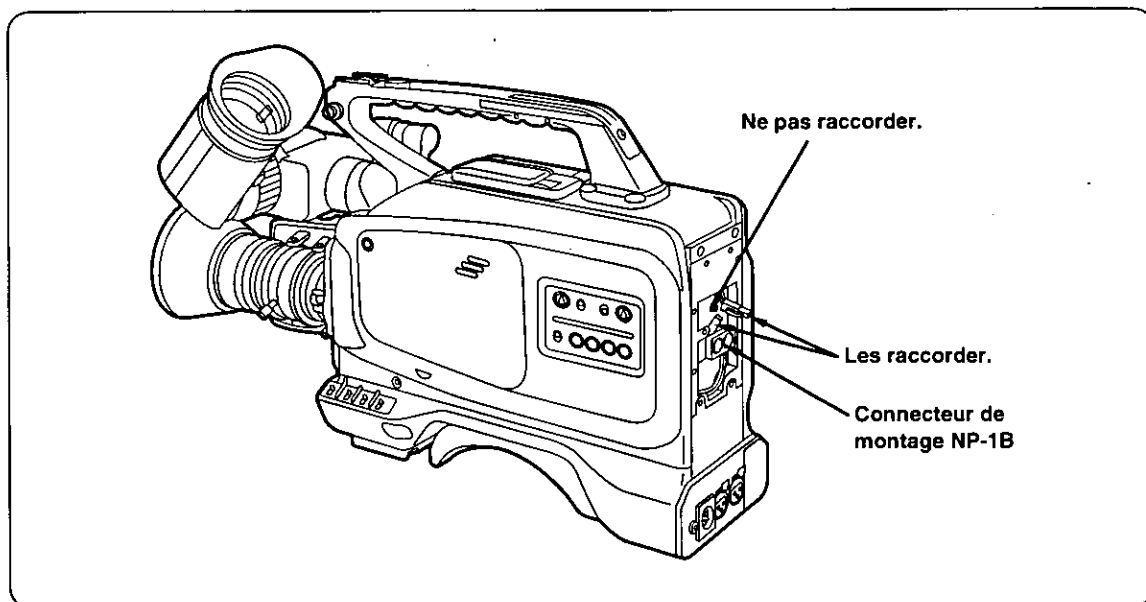
## Utilisation avec la batterie Sony NP-1B

Recharger la batterie NP-1B à l'aide du chargeur de batterie Sony spécial.  
Pour les détails, se reporter au manuel d'utilisation qui accompagne le chargeur de batterie.

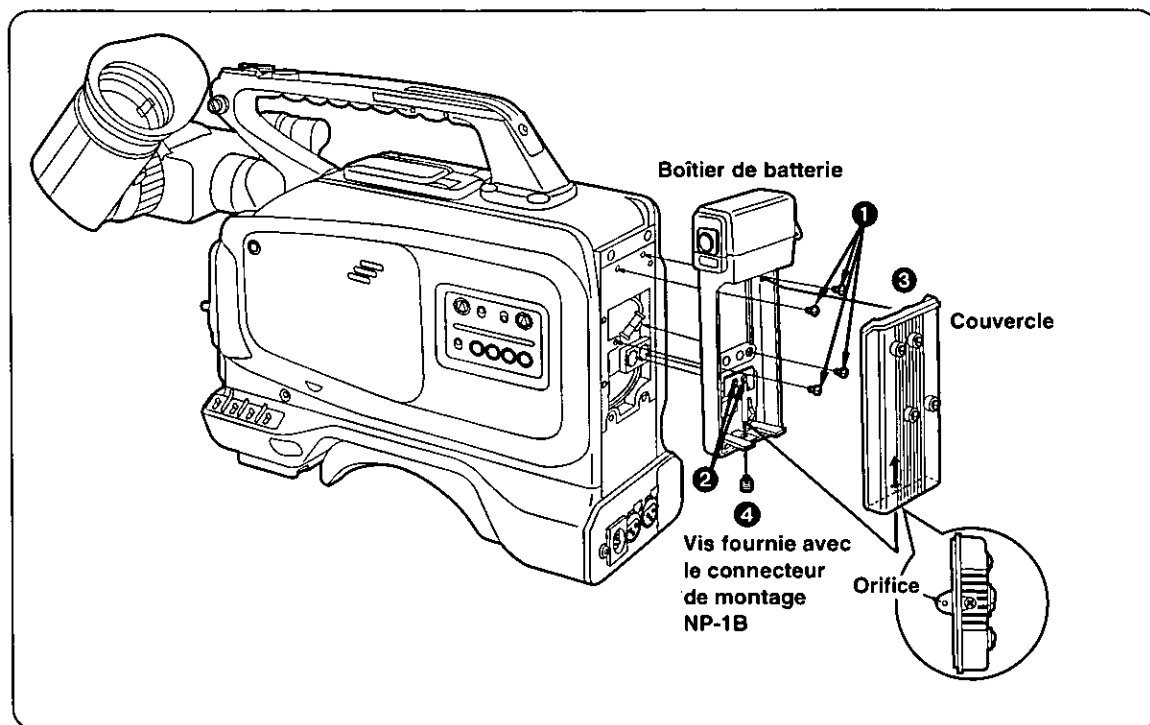
### 1 Retirer le support de batterie.



### 2 Raccorder le connecteur de montage NP-1B accessoire.



### 3 Fixer le support de batterie Sony.

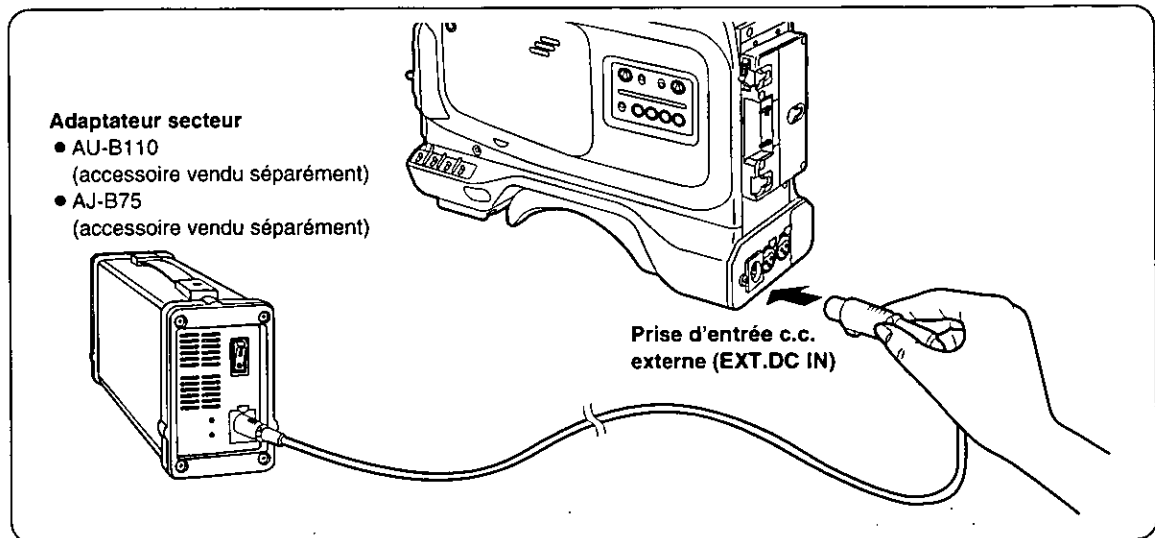


Avant de poursuivre, retirer le couvercle du support de batterie.

- ① Fixer le boîtier de batterie à l'aide des vis de montage.
- ② Serrer la vis du contact d'alimentation.
- ③ Insérer le haut du couvercle dans le sens de la flèche.
- ④ Aligner l'orifice au fond (pièce métallique) du couvercle sur l'orifice au fond du boîtier de batterie et fixer le support de batterie avec la vis fournie avec le connecteur de montage NP-1B.

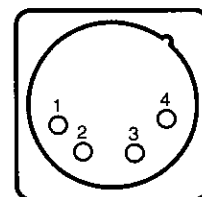
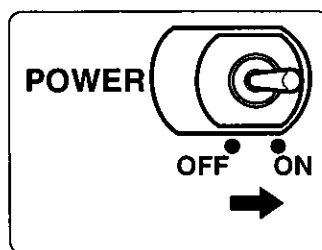
## Utilisation avec une source d'alimentation secteur (avec l'adaptateur secteur AU-B110/AJ-B75)

- 1** Raccorder la prise d'entrée c.c. externe de l'appareil à la prise DC OUT de l'adaptateur secteur AU-B110/AJ-B75.



- 2** Etablir le contact sur l'adaptateur secteur.
- 3** Mettre l'interrupteur (POWER) de l'appareil à la position ON.

Vérifier les signaux des contacts de la prise d'entrée c.c. externe si une source d'alimentation externe autre que l'adaptateur secteur AU-B110/AJ-B75 est utilisée.



Prise d'entrée c.c. externe

No. de contact	Signal
1	Mise à la terre
2, 3	—
4	+12V

**Remarques:** ■ Si un bloc-batterie et l'adaptateur secteur sont tous deux raccordés, l'alimentation via l'adaptateur secteur a priorité.

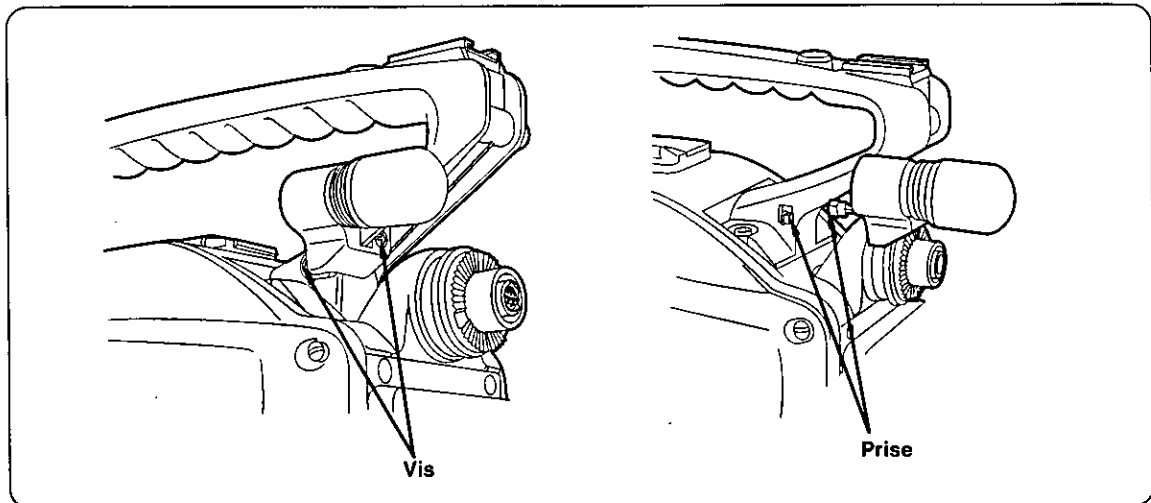
■ Lorsque l'adaptateur secteur est utilisé, l'avertissement de batterie faible peut apparaître en fonction du réglage du menu BATT.SELECT. Dans cette éventualité, il est recommandé de régler BATT.SELECT à la position Ni-Cd12 V.

■ Lorsque l'adaptateur secteur est utilisé, le contact devra être établi sur l'adaptateur secteur avant de mettre l'interrupteur (POWER) de l'appareil à la position ON. Si l'interrupteur (POWER) est mis à la position ON en premier, l'appareil risque de mal fonctionner car la tension de sortie de l'adaptateur secteur augmente lentement après la mise en contact.

## Fixation du support de microphone (vendu séparément)

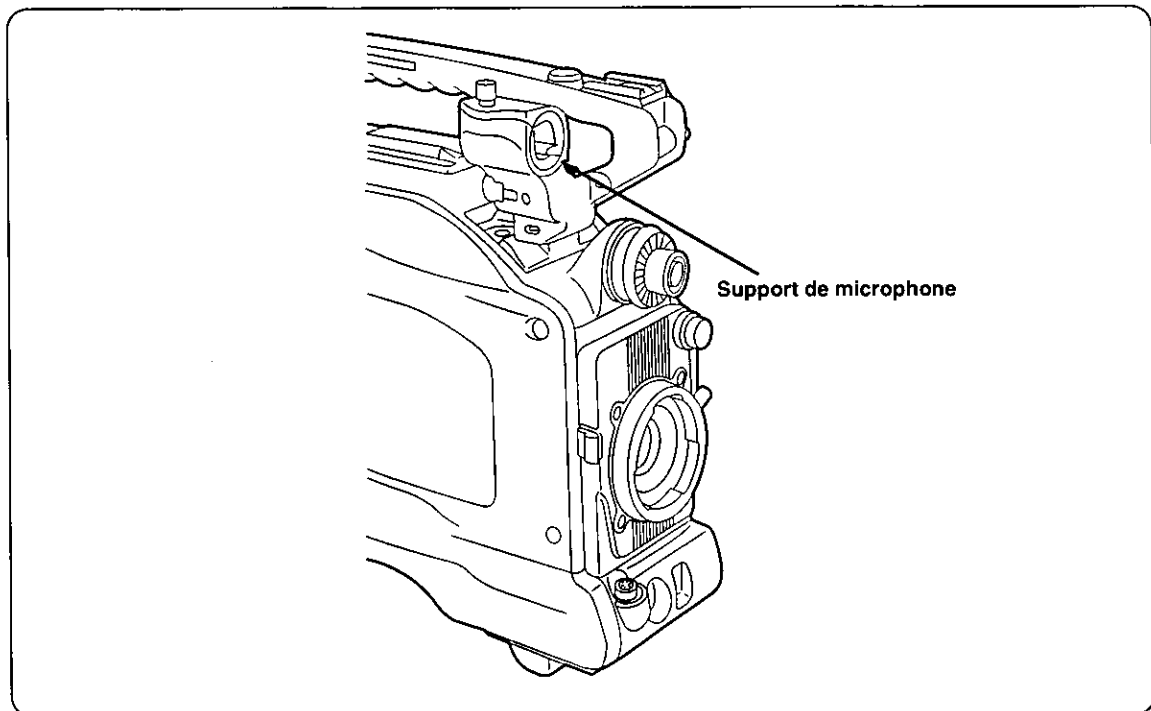
Le microphone qui accompagne l'appareil pourra être remplacé par le microphone AJ-MC700/WM-L30 ou par tout autre microphone vendu séparément.

### **1** Retirer le microphone de l'appareil principal.



Enlever les deux vis pour retirer la prise, puis retirer le microphone.

### **2** Fixer le support de microphone.



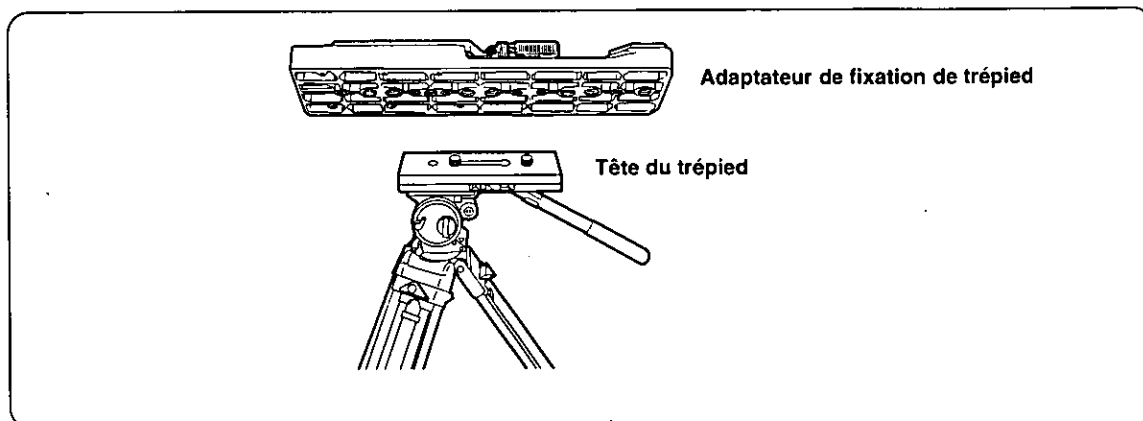
Le support de microphone se fixe en procédant dans l'ordre inverse du retrait.



## Fixation de l'appareil sur un trépied

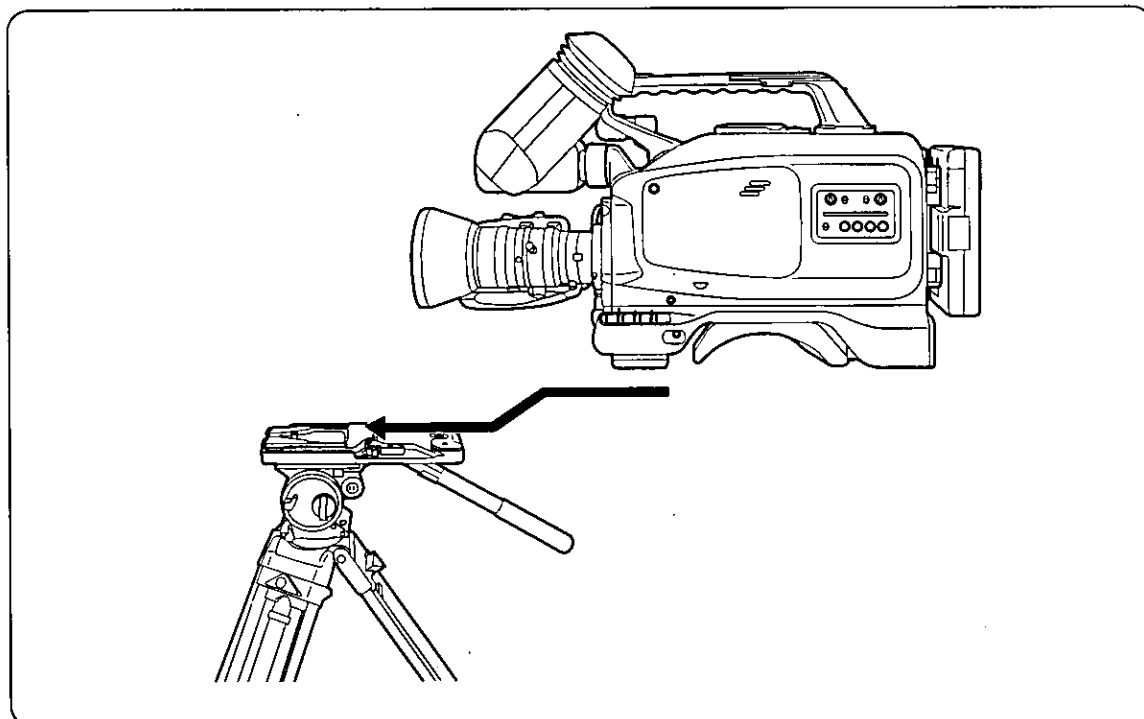
Pour fixer l'appareil sur un trépied, utiliser l'adaptateur de fixation de trépied, vendu séparément.

### 1 Fixer l'adaptateur de fixation de trépied au trépied.



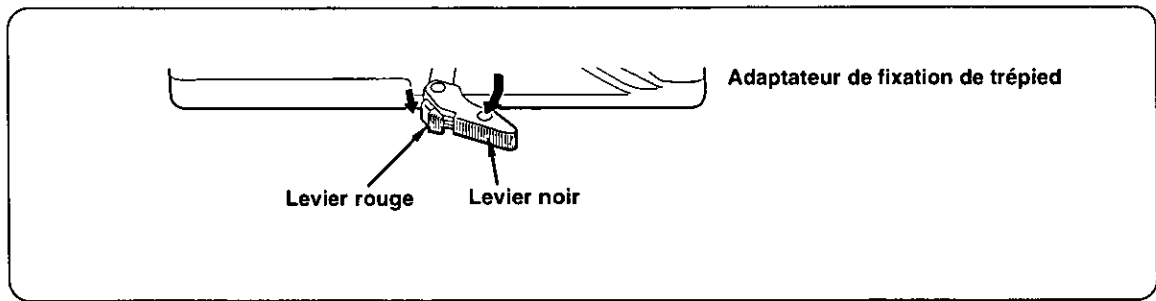
**Remarque:** Tenir compte du centre de gravité de l'appareil et de l'adaptateur de fixation de trépied pour sélectionner l'orifice de fixation. Par ailleurs, vérifier si le diamètre de l'orifice sélectionné correspond au diamètre de vis de la tête du trépied.

### 2 Fixer l'appareil sur l'adaptateur de fixation de trépied.



Glisser l'appareil en arrière, le long de la rainure, jusqu'à la position enclenchée.

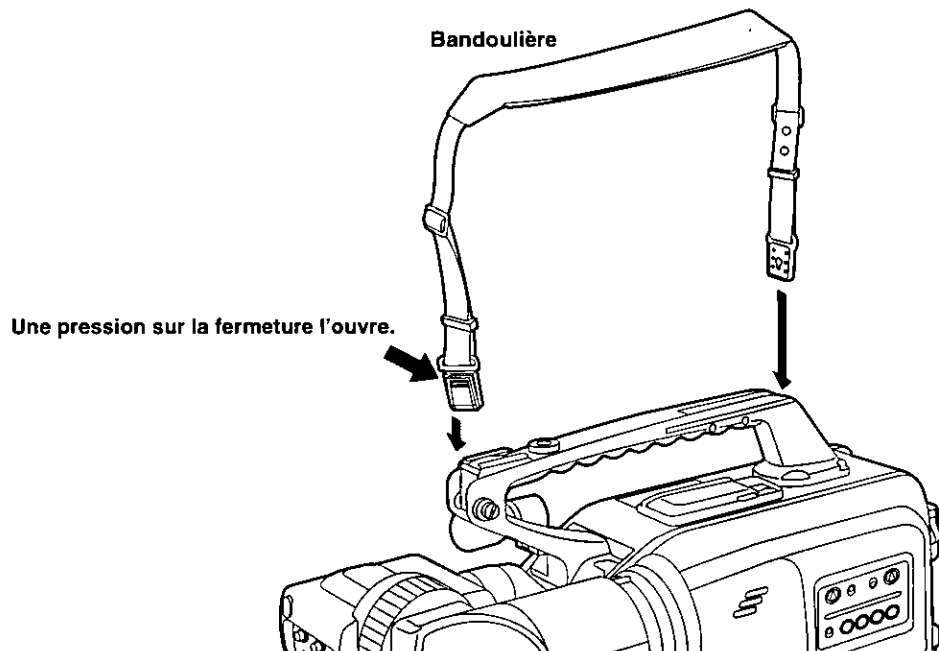
## Pour retirer l'appareil de l'adaptateur de fixation de trépied



Déplacer le levier noir dans le sens de la flèche tout en maintenant le levier rouge abaissé, et dégager l'appareil en le tirant vers soi.

**Remarque:** Si la tige de l'adaptateur de fixation de trépied ne revient pas à la position originale lorsque l'appareil est dégagé, redéplacer le levier noir dans le sens de la flèche tout en maintenant le levier rouge abaissé. La tige reviendra à la position précédente. Noter que l'appareil ne pourra pas être monté si la tige reste au centre.

## Fixation de la bandoulière (vendue séparément)



Pour libérer la bandoulière, ouvrir les fermetures aux deux extrémités et retirer la bandoulière.



**Remarque:** Vérifier si la bandoulière est solidement fixée.

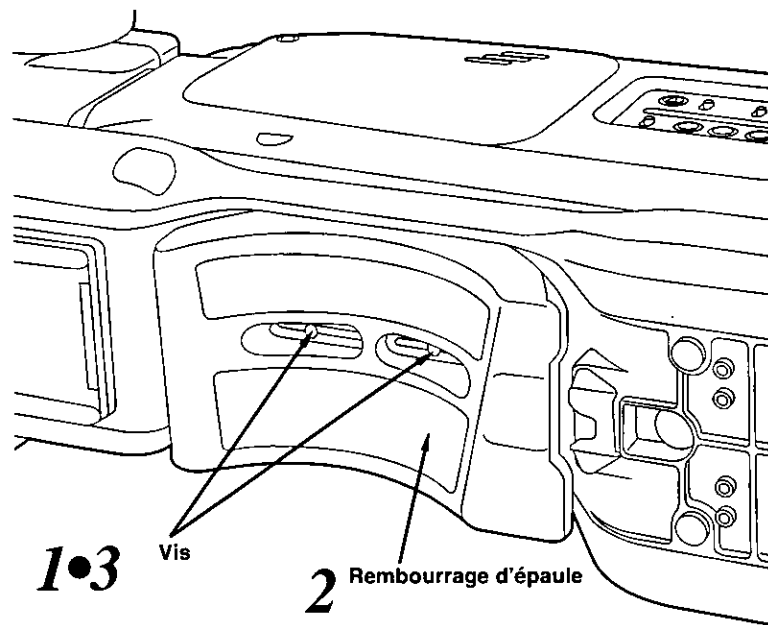
---

## Réglage de la position du rembourrage d'épaule

Le rembourrage d'épaule se règle en le glissant vers l'avant ou vers l'arrière par rapport à la position centrale (position usine) de 15 mm maximum en chaque sens.

Le régler à la position permettant l'utilisation la plus confortable.

- 1** Desserrer les deux vis.
- 2** Glisser le rembourrage d'épaule vers l'avant ou vers l'arrière jusqu'à obtenir la position la plus confortable.
- 3** Serrer les vis pour fixer le rembourrage d'épaule.

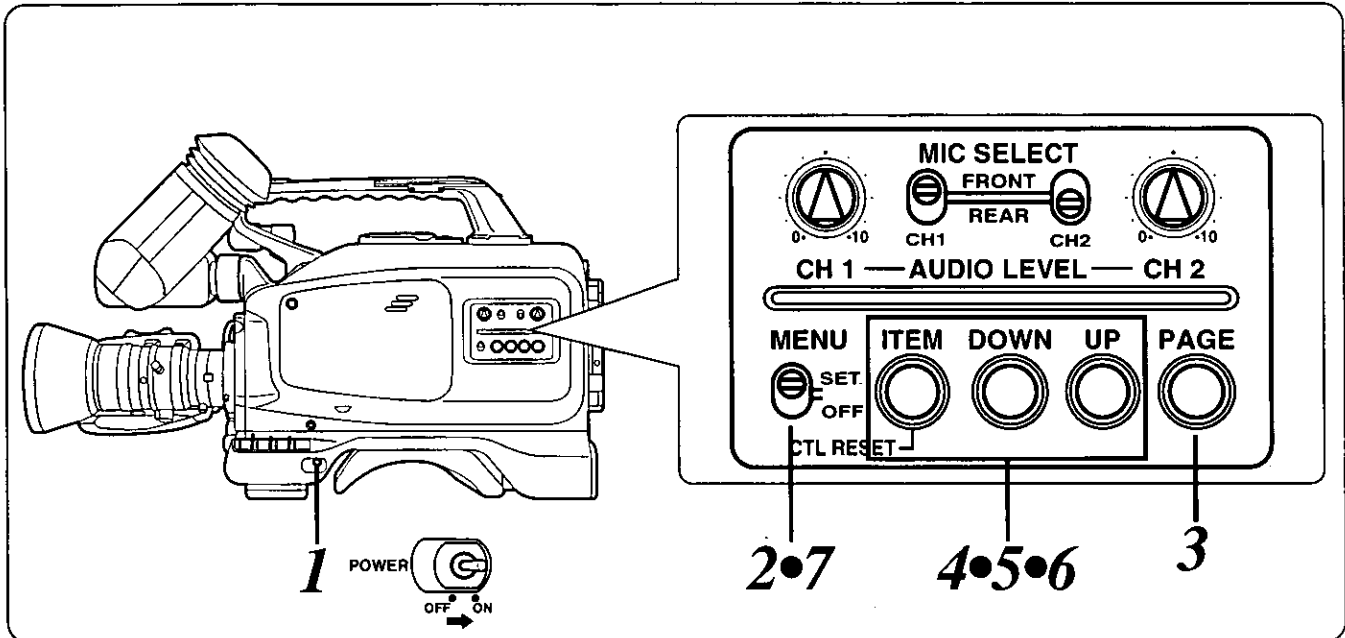


Fond de l'appareil

## ■ Réglage de la date et de l'heure

La première chose à faire après l'achat de l'appareil, c'est de régler la date et l'heure.

(Avec un magnétoscope DVCPRO, la date et l'heure de prise de vues s'enregistrent séparément des images. Pour que ces données s'enregistrent correctement, commencer par régler la date et l'heure.)



- 1** Placer l'interrupteur (POWER) à la position ON.
- 2** Lorsque le commutateur réglage/arrêt de menu (MENU SET/OFF) est à la position SET, l'écran de menu (MENU) apparaît dans le viseur.
- 3** Tout en contrôlant le viseur, appuyer sur la touche page (PAGE) jusqu'à ce que l'écran TIME/DATE apparaisse.

### Ecran de réglage (viseur)

(Premier écran de réglage des menus)

- MAIN FUNCTION -	
→ TCG CLEAR	
RECRUN/FREERUN	: REC
DF/NDF	: DF
SCENE DATA SAVE	
SCENE DATA UNDEL	
BATT. SELECT	: DIGIT
BACK TALLY	: ON
MENU INITIALIZE	

→  
Continuer  
à appuyer  
sur la  
touche  
page  
(PAGE).

- TIME/DATE -	
→ YEAR	: 97
MONTH	: 06
DAY	: 13
HOUR	: 10
MINUTE	: 02
■ TIME/DATE SET	

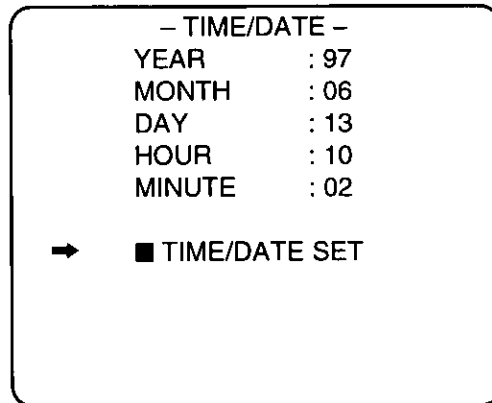
Les descriptions sont également données à la section des menus (pages 48, 49 et 54).

---

**4** Régler la date et l'heure à l'aide des touches rubrique (ITEM), haut (UP) et bas (DOWN).

**5** Maintenir la touche rubrique (ITEM) enfoncée jusqu'à ce que la flèche soit dirigée sur "■ TIME/DATE SET".

Ecran de réglage (viseur)

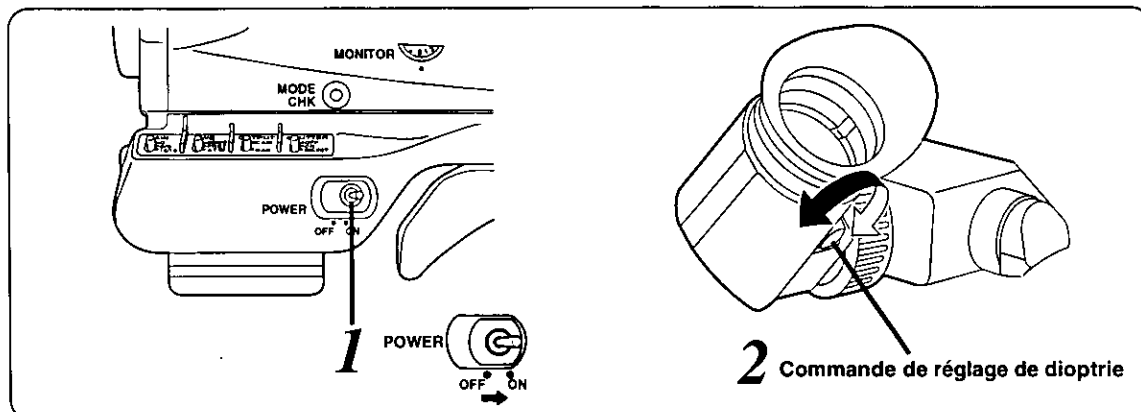


**6** Les réglages de la date et de l'heure sont enregistrés sur pression de la touche haut (UP) ou bas (DOWN).

**7** Enfin, placer le sélecteur réglage/arrêt de menu (MENU SET/OFF) à la position OFF.

## ■ Réglage du viseur

### Réglage de dioptrie du viseur

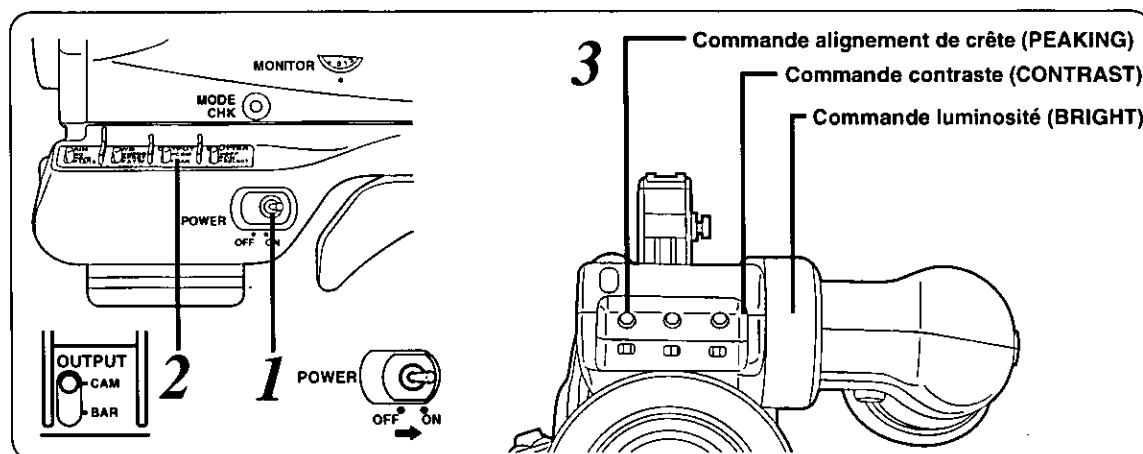


- 1** Placer l'interrupteur (POWER) à la position ON.

Une image apparaît dans le viseur.

- 2** Tourner la commande de réglage de dioptrie et la régler de façon que l'image du viseur soit nette.

### Réglage de la luminosité et du contraste du viseur



- 1** Placer l'interrupteur (POWER) à la position ON.

Une image apparaît dans le viseur.

- 2** Placer le sélecteur de sortie (OUTPUT) à la position CAM.

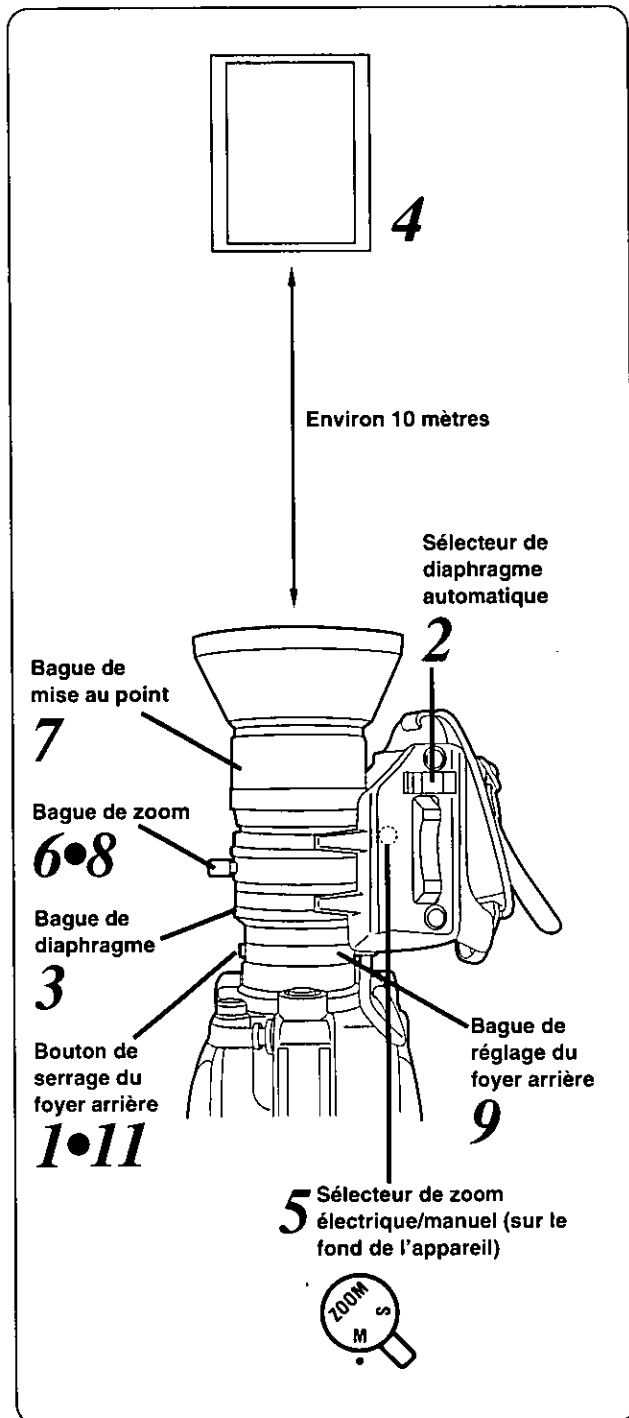
- 3** Tourner les commandes de luminosité (BRIGHT) et de contraste (CONTRAST) du viseur et régler la luminosité et le contraste de l'image.

Lorsque la commande alignement de crête (PEAKING) du viseur est tournée, il est possible d'obtenir une image plus douce ou plus nette. La mise au point sera plus facile si l'image est nette.

## ■ Réglage du foyer arrière

Il faudra régler le foyer arrière si la mise au point est impossible aux positions téléobjectif et grand angle parce que l'objectif est fixé pour la première fois ou qu'il est remplacé.

**Ce réglage ne devra être effectué qu'une seule fois, à moins que l'objectif ne soit remplacé.**



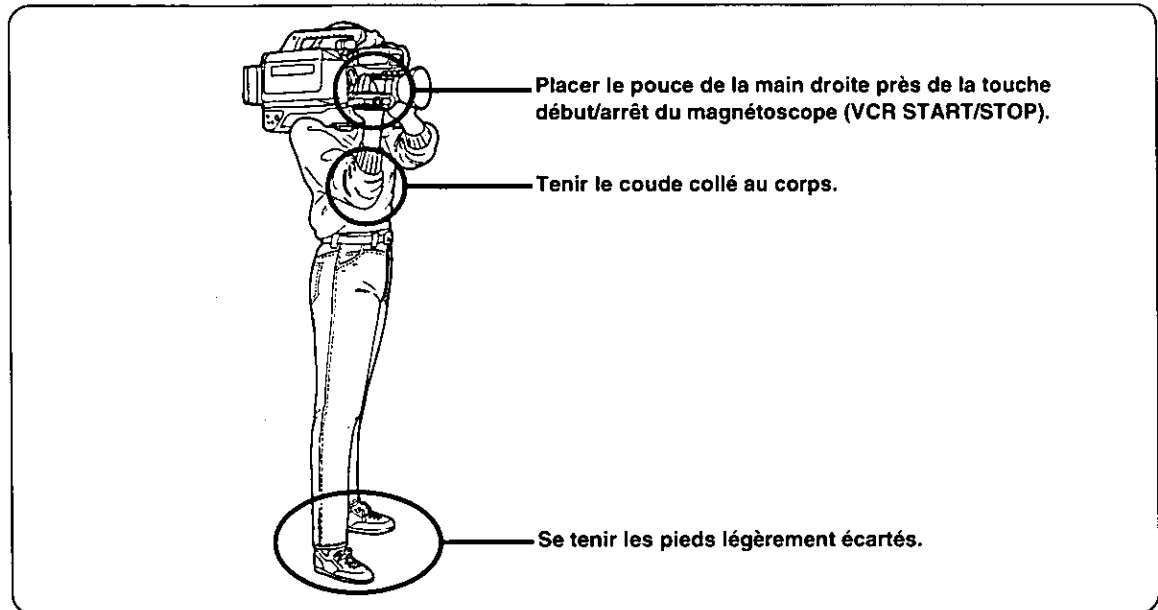
- 1** Desserrer le bouton de serrage du foyer arrière.
- 2** Placer le sélecteur de diaphragme (IRIS) à la position "M".
- 3** Tourner la bague de diaphragme et régler le diaphragme à l'ouverture maximale.
- 4** Prendre un sujet fortement contrasté, par exemple une fenêtre ou un poteau électrique à une distance d'au moins 10 mètres.
- 5** Placer le sélecteur de zoom électrique/manuel à la position "M".
- 6** Tourner la bague de zoom et régler le zoom à la position de téléobjectif maximale (zoom avant).
- 7** Tourner la bague de mise au point et effectuer la mise au point sur le sujet.  
Si le sujet est trop brillant et qu'il est difficile de vérifier s'il est au point: mettre l'obturateur électronique à la position ON. (Si nécessaire, changer également la vitesse d'obturation.)
- 8** Tourner la bague de zoom et régler le zoom à la position de grand angle maximale (zoom arrière).
- 9** Tourner la bague de réglage du foyer arrière et effectuer la mise au point sur le sujet.
- 10** Recommencer les opérations 5 à 9 jusqu'à ce que le sujet soit net à la fois à la position de téléobjectif et à celle de grand angle.  
Si le sujet n'est pas net, corriger la mise au point à l'aide de la bague de mise au point, puis effectuer un zoom arrière, et corriger la mise au point à l'aide de la bague de réglage du foyer arrière.
- 11** Lorsque les réglages sont terminés, serrer le bouton de serrage du foyer arrière pour éviter que la bague de réglage du foyer arrière ne bouge.

Se reporter également au manuel d'utilisation qui accompagne l'objectif.

# Réglages pendant la prise de vues

## Tenue de la caméra

Si la caméra est tenue à la main et non fixée sur un trépied, les images auront beaucoup de mouvement mais elles manqueront de stabilité. Tenir la caméra de façon à éviter tout bougé.

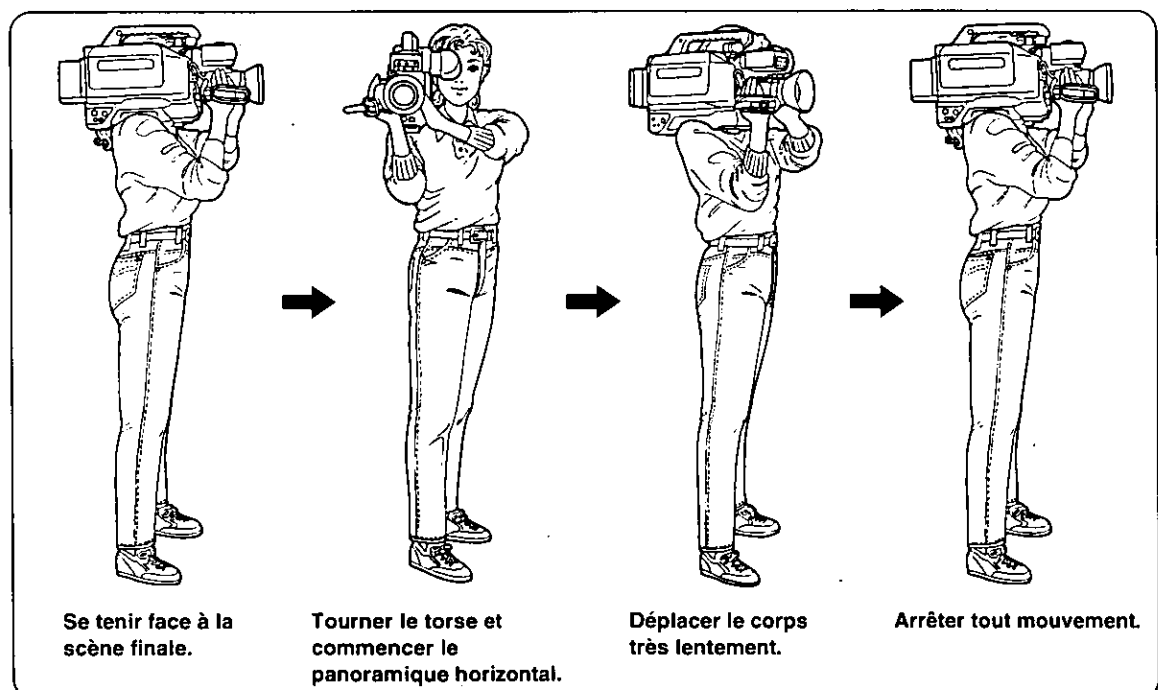


## Mouvements de la caméra

D'une manière générale, la caméra devra être en position fixe pour la prise de vues. Toutefois, si les fonctions de panoramique horizontal et de panoramique vertical sont utilisées, l'enregistrement donnera une plus grande impression de mouvement. Le déplacement horizontal de la caméra s'appelle "panoramique horizontal"; le déplacement vertical de la caméra s'appelle "panoramique vertical". Le secret de la réussite d'un mouvement de la caméra, c'est de la déplacer avec lenteur. Les prises de vues seront meilleures si la caméra est déplacée très lentement.

Chaque fois qu'un mouvement est terminé, s'arrêter quelques instants.

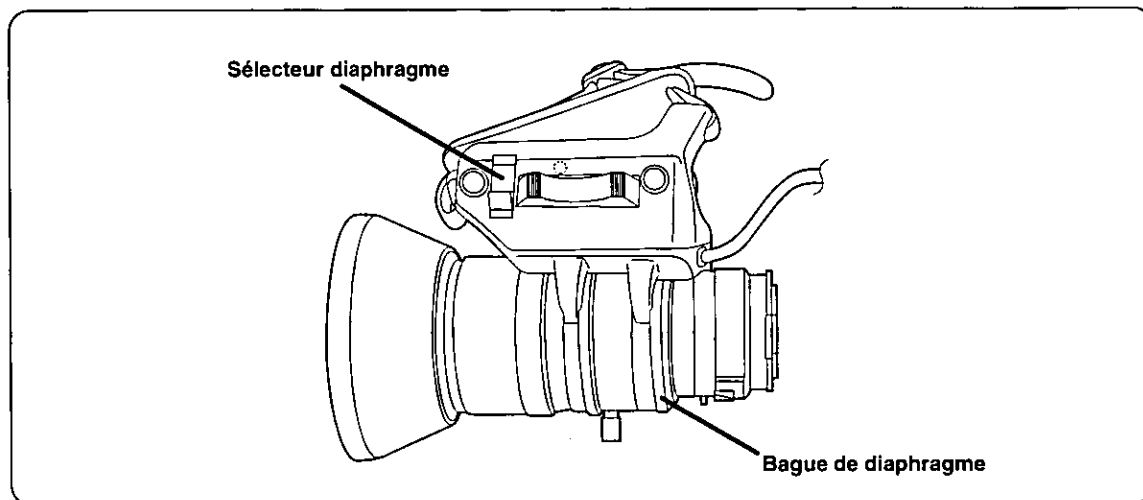
### Panoramique horizontal





## Réglage de l'exposition

L'exposition varie en fonction du diaphragme.  
Le diaphragme se règle à l'aide de sélecteur diaphragme.



### ● Diaphragme automatique

Placer le sélecteur diaphragme (IRIS) à la position "A".

Le diaphragme se règle automatiquement sur la luminosité qui convient au sujet.

■ L'opération de diaphragme automatique de l'appareil sert à mesurer la luminosité moyenne de l'écran entier afin de contrôler le diaphragme. Cela veut dire que le sujet aura tendance à devenir tout blanc ou tout noir s'il est soumis à un éclairage direct ou s'il est pris à contre-jour. Utiliser le réglage manuel du diaphragme dans ces conditions d'éclairage.

### ● Diaphragme manuel

Placer le sélecteur diaphragme (IRIS) à la position "M".

Tourner la bague de diaphragme et régler la luminosité.

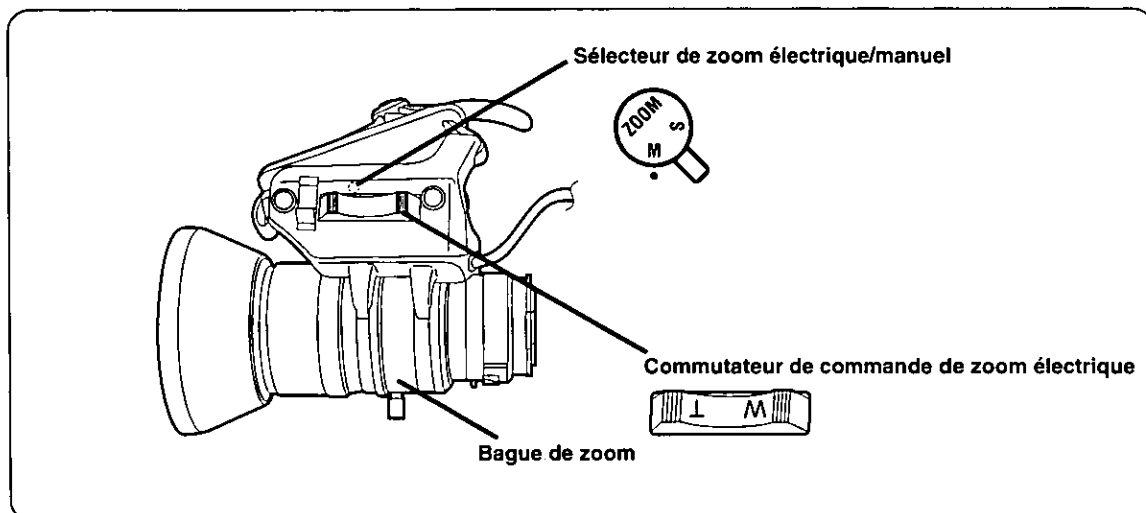
Conditions de prise de vues	Opération
Arrière-plan trop éclairé et sujet trop sombre (contre-jour).	Ouvrir légèrement le diaphragme.
Arrière-plan sombre et sujet brillant	Réduire légèrement le diaphragme.
Pour une prise de vues avec effets spéciaux	Régler le diaphragme selon ses préférences.



Se reporter également au manuel d'utilisation qui accompagne l'objectif.

Remarques: ■ S'il y a trop de lumière, se procurer un filtre ND (62 mm de diamètre) dans un magasin photo et le fixer devant l'objectif.

## Prise de vues au zoom

Deux zooms sont disponibles pour la prise de vues au zoom: le zoom électrique et le zoom manuel.  
 Pour le zoom électrique, il suffit d'appuyer sur un sélecteur et de sélectionner le téléobjectif (TELE) ou le grand angle (WIDE); pour le zoom manuel, il faudra régler la bague de zoom et sélectionner le téléobjectif ou le grand angle.

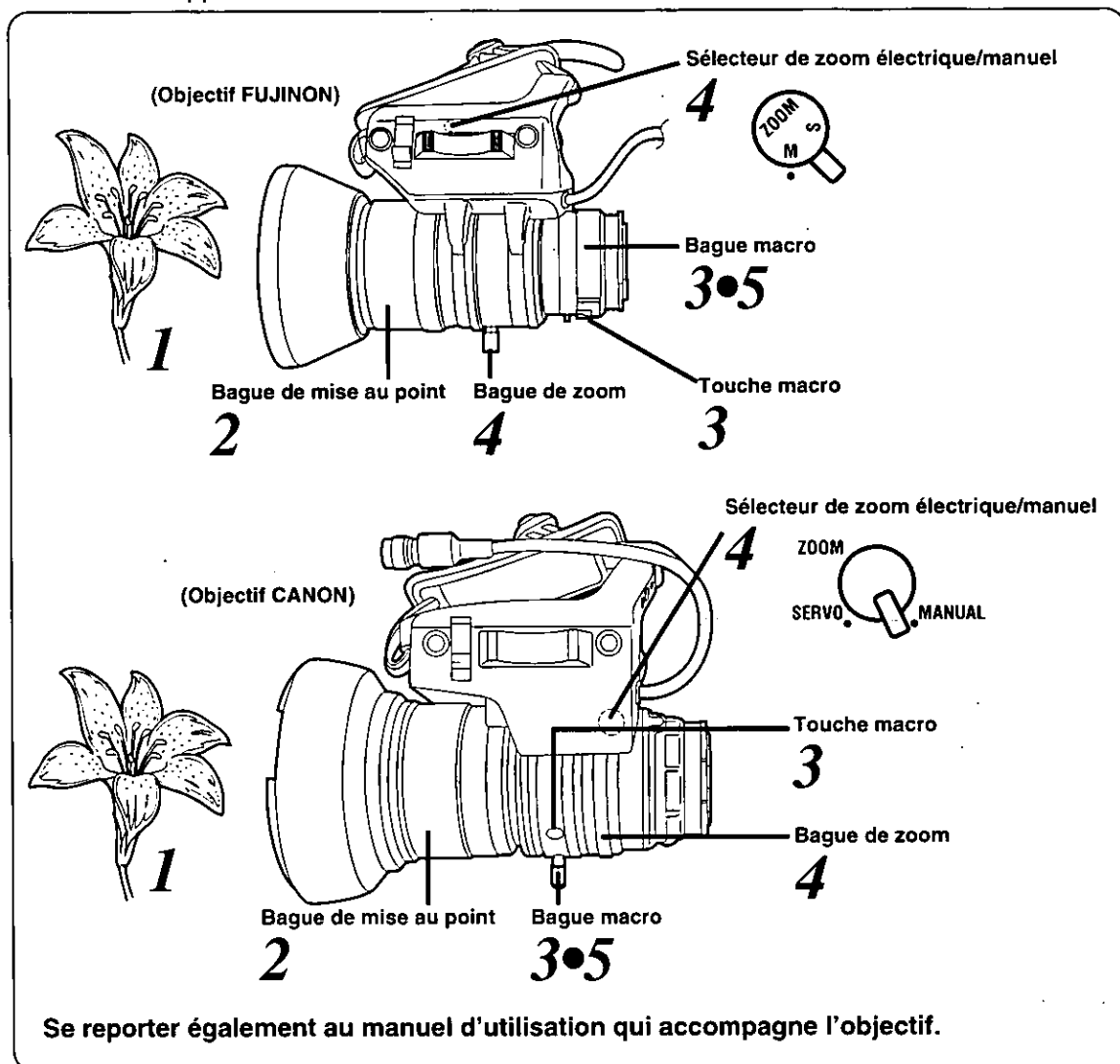


	Zoom électrique	Zoom manuel
<b>Prise de vues au zoom</b>	Placer le sélecteur de zoom électrique/manuel à la position "S".	Placer le sélecteur de zoom électrique/manuel à la position "M".
<b>Téléobjectif</b> 	Placer le commutateur de commande de zoom électrique à la position T (téléobjectif).	Tourner la bague de zoom vers le bas.
<b>Grand angle</b> 	Placer le commutateur de commande de zoom électrique à la position W (grand angle).	Tourner la bague de zoom vers le haut.

Se reporter également au manuel d'utilisation qui accompagne l'objectif.

## Prise de vues rapprochée

La fonction de prise de vues rapprochée (macro) est pratique pour filmer des insectes, des fleurs et autres sujets situés à moins d'un mètre de l'appareil.



- 1** Approcher l'objectif du sujet.
- 2** Régler la bague de mise au point à la distance la plus courte.
- 3** Pousser la touche macro (MACRO) vers l'avant et tourner la bague macro.  
Le sujet apparaît au plus fort grossissement lorsque la bague macro est tournée au maximum.
- 4** Placer le sélecteur de zoom électronique/manuel à la position "M", et tourner la bague de zoom pour effectuer la mise au point sur le sujet.
- 5** Lorsque la prise de vues rapprochée est terminée, ramener la bague macro sur sa position enclenchée.

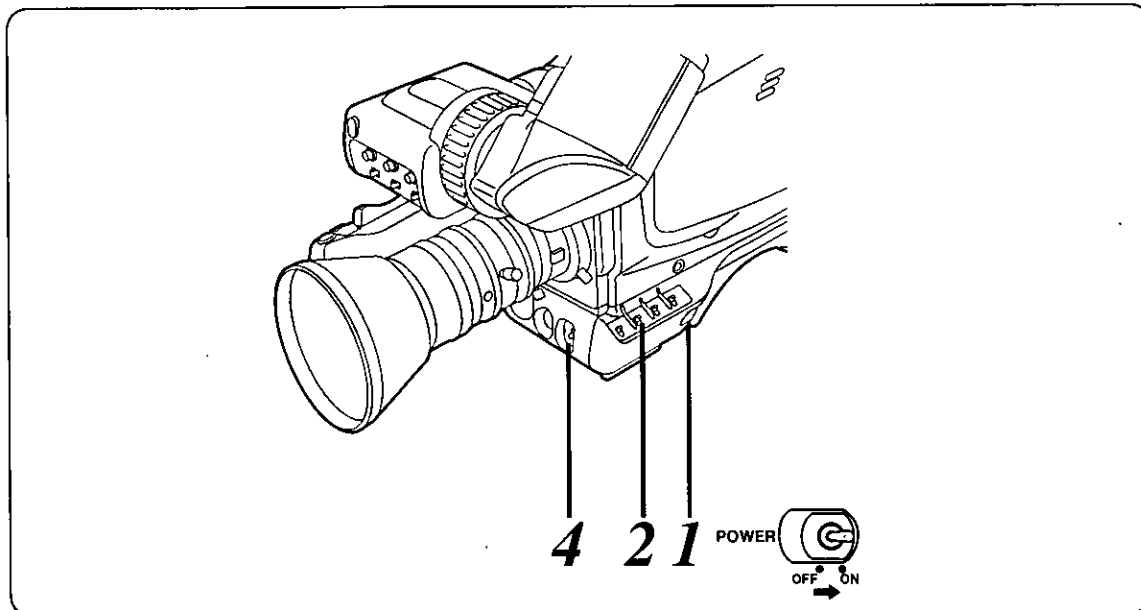
## Sources d'éclairage et températures de couleur

Pour effectuer une prise de vues, il est nécessaire de régler l'équilibre des blancs en fonction de la source d'éclairage. Une source d'éclairage se caractérise par sa température de couleur (K). Plus la lumière est bleue, plus la température est élevée; inversement, plus la lumière est rouge, plus la température est basse. Le tableau ci-dessous donne le rapport entre les sources d'éclairage et les températures de couleur.

Source d'éclairage	Température de couleur (K)
Ciel dégagé	10 000
Ciel nuageux	8 000
Pluie	7 000
Tubes fluorescents (lumière du jour)	6 000
Soleil à midi	5 000
Lampes à vapeur de mercure	
Tubes fluorescents (blancs)	
1 heure après le lever du soleil, 1 heure avant le coucher du soleil	4 000
Tubes fluorescents (blanc chaud)	3 500
Projecteurs de studio	3 200
Lampes halogènes, projecteurs vidéo	3 000
30 minutes après le lever du soleil, 30 minutes avant le coucher du soleil	
Ampoules incandescentes	2 500
Lampes au sodium	
(Eclairage à l'intérieur d'un tunnel)	
Lever du soleil, coucher du soleil	
Lumière d'une bougie	2 000

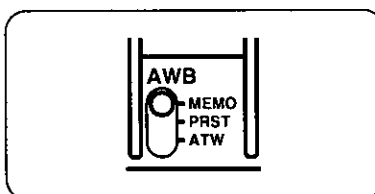
# Réglage de l'équilibre des blancs

L'appareil a été réglé en usine avec le sélecteur de l'équilibre des blancs à la position ATW (mode d'équilibre automatique large pistage) ou à la position PRST (pour prise de vues à la lumière d'une source prédéterminée).



**1** Placer l'interrupteur (POWER) à la position ON.

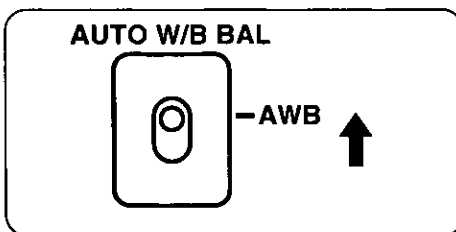
**2** Placer le sélecteur de l'équilibre des blancs à la position MEMO.



**3** Placer une feuille de papier blanc ou un mouchoir blanc à un endroit offrant les mêmes conditions d'éclairage que le sujet, et effectuer un zoom avant de façon que le papier ou le mouchoir blanc remplisse l'écran.

- Il est possible d'utiliser à la place un objet blanc (tissu ou mur blanc par exemple) près du sujet, mais il faut savoir que l'objet pourra sembler blanc sans être parfaitement blanc.
- Faire attention de ne pas trop ouvrir le diaphragme de l'objectif pendant le réglage de l'équilibre des blancs. Le fait d'essayer de régler l'équilibre des blancs avec le diaphragme trop ouvert provoquera l'affichage de l'avertissement "TOO BRIGHT" ("Trop lumineux") et le fonctionnement s'arrêtera. Noter que l'avertissement "TOO BRIGHT" risque surtout d'apparaître lorsque l'écran est entièrement recouvert d'un objet de couleur blanche, par exemple une feuille de papier. (D'une manière générale, la sélection du mode AUTO IRIS pour contrôler le réglage du diaphragme de l'objectif garantira un réglage automatique au niveau optimal en fonction du niveau d'éclairage.)

## 4 Viser l'objet blanc de façon qu'il remplisse tout l'écran, puis placer le sélecteur de l'équilibre automatique des blancs/noirs (AUTO W/B BAL) à la position AWB.



### Utilisation du mode d'équilibre des blancs par pistage automatique (ATW)

Le mode d'équilibre des blancs par pistage automatique est activé lorsque le sélecteur de l'équilibre des blancs (AUTO W/B BAL) est mis à la position ATW. Cependant, les conditions d'éclairage ambiant pouvant rendre instable le fonctionnement de l'équilibre des blancs par pistage automatique, il est conseillé d'apprendre à utiliser les modes MEMO, PRESET et ATW en fonction des conditions.

### Exemples

- Pour prendre un sujet éclairé par un spot, utiliser le réglage PRESET (mode INDOOR).
- S'il est prévu de faire une prise de vues à l'extérieur, mémoriser le réglage de l'équilibre des blancs à la position MEMO.
- Une prise de vue d'un sujet éclairé par un mélange de tubes fluorescents et de lampes à incandescence, ou par un mélange d'éclairage extérieur et de tubes fluorescents parce que le sujet se trouve près d'une fenêtre pose des difficultés pour le pistage automatique. Dans ce genre de situation, régler l'équilibre des blancs manuellement.

Utiliser le mode d'équilibre ATW uniquement en cas d'urgence lorsque le temps manque pour régler l'équilibre des blancs manuellement.

Le réglage de l'équilibre des blancs s'effectue en 10 secondes environ.

- Lorsque le réglage est terminé, l'affichage de la température de couleur apparaît dans le viseur. Vérifier maintenant si la température de couleur de l'image et la température de couleur affichée dans le viseur correspondent. Si elles ne correspondent pas, il est recommandé de rerégler l'équilibre des blancs.
- Si l'équilibre des blancs n'a pu être réglé, le message WHITE BAL ERROR TRY AGAIN apparaît dans le viseur. Dans ce cas, vérifier si le câble de l'objectif est raccordé correctement et si la luminosité du sujet convient, puis rerégler l'équilibre des blancs.

### Quand faut-il rerégler l'équilibre des blancs:

Il faudra impérativement rerégler l'équilibre des blancs si les conditions d'éclairage ont changé ou si le réglage du gain a été modifié.

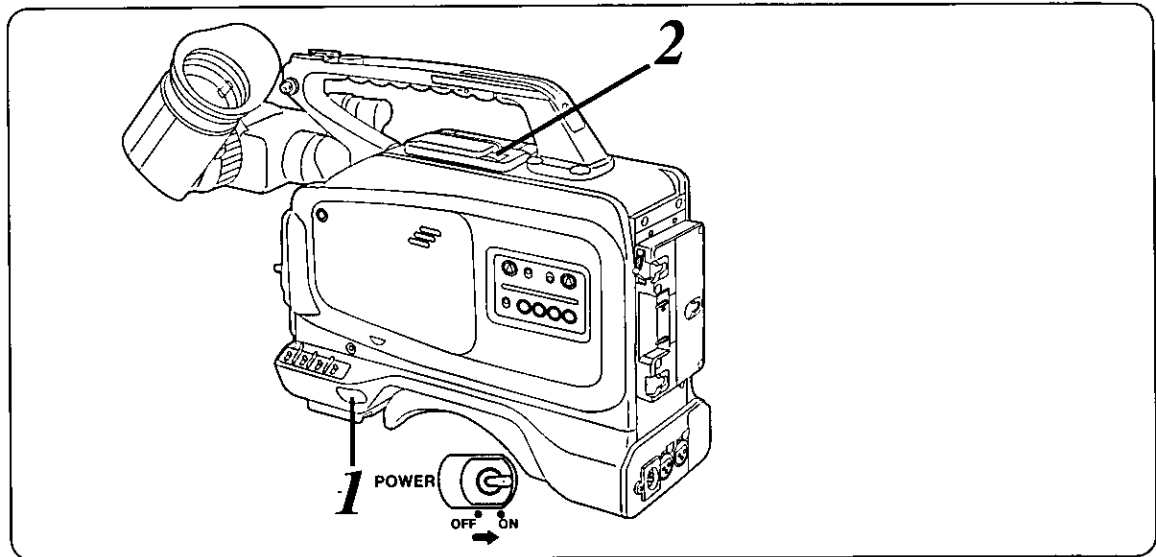
- Remarques:**
- Un balayage pouvant se produire si le zoom est doté d'un mécanisme de réglage automatique du diaphragme, régler la commande de gain de diaphragme de l'objectif. Pour les détails, se reporter au manuel d'utilisation de l'objectif.
  - Le réglage de l'équilibre des blancs ne sera pas possible si le sélecteur d'équilibre automatique des blancs est à la position ATW ou PRST.
  - La section plus claire de l'écran étant sensée être "blanche" pour le réglage de l'équilibre des blancs, veiller à ce qu'aucun objet plus clair que le blanc ne soit pris à l'étape 3 ci-dessus, car il en résulterait un fonctionnement incorrect.
  - Ne pas trop augmenter le gain avant de régler l'équilibre automatique des blancs (AWB). Cela provoquerait la quasi fermeture du diaphragme pendant le réglage AWB, ce qui entraînerait une instabilité de fonctionnement.

**Références:**

- Pour assurer une image de haute qualité, il est recommandé de régler l'équilibre automatique des blancs/noirs (AUTO W/B BAL) avant toute prise de vues importante.

- Lorsque l'équilibre des blancs a été réglé, l'équilibre des noirs est automatiquement réglé par l'appareil. En conséquence, si le sélecteur de l'équilibre automatique des blancs (AWB) a été utilisé, le diaphragme se refermera puis il se rouvrira; ceci est normal.

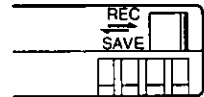
# Enregistrement normal



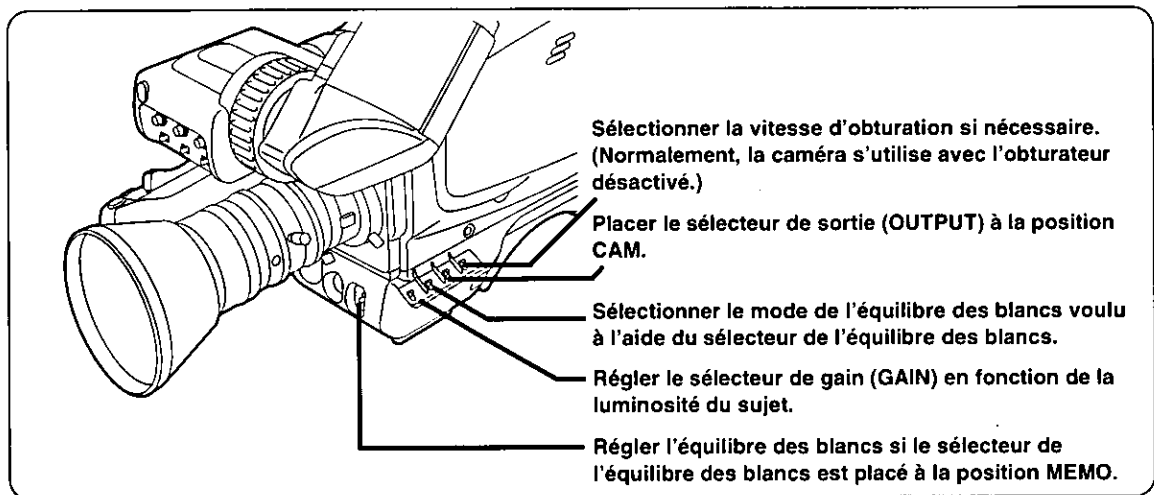
**1** Placer l'interrupteur (POWER) à la position ON.

**2** Appuyer sur la touche éjection (EJECT) pour ouvrir le compartiment de la cassette et insérer la cassette.

- Avant d'effectuer un enregistrement, vérifier que la languette de la cassette est à la position REC.
- L'appareil accepte exclusivement les cassettes "L".



**3** Placer les commandes de la caméra comme suit.



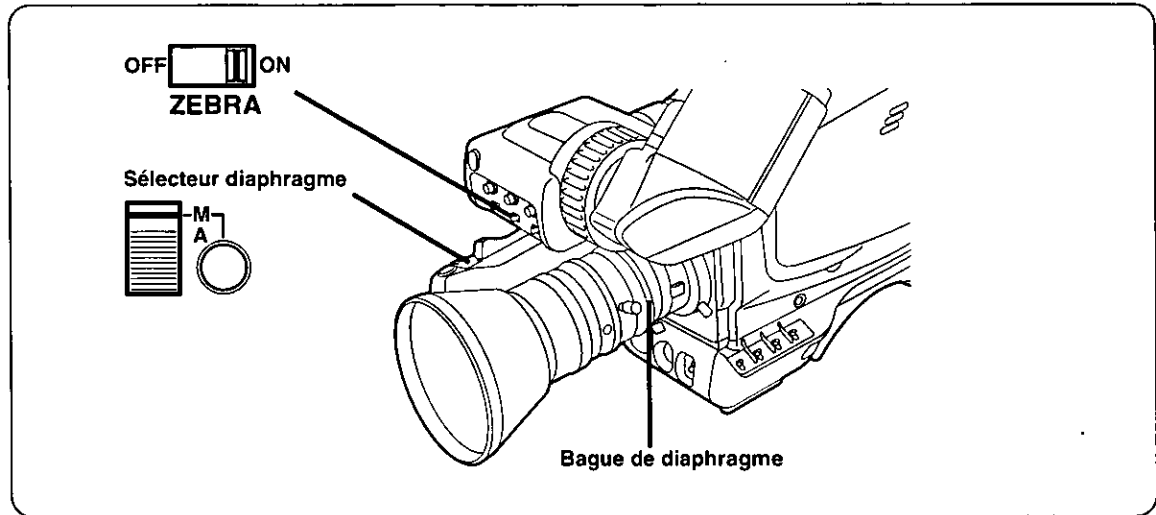
**4** Diriger la caméra sur le sujet et effectuer la mise au point et le zoom.

**5** Appuyer sur la touche début/arrêt du magnétoscope (VCR START/STOP) pour commencer l'enregistrement.

**6** Appuyer sur la touche début/arrêt du magnétoscope (VCR START/STOP) pour arrêter l'enregistrement.

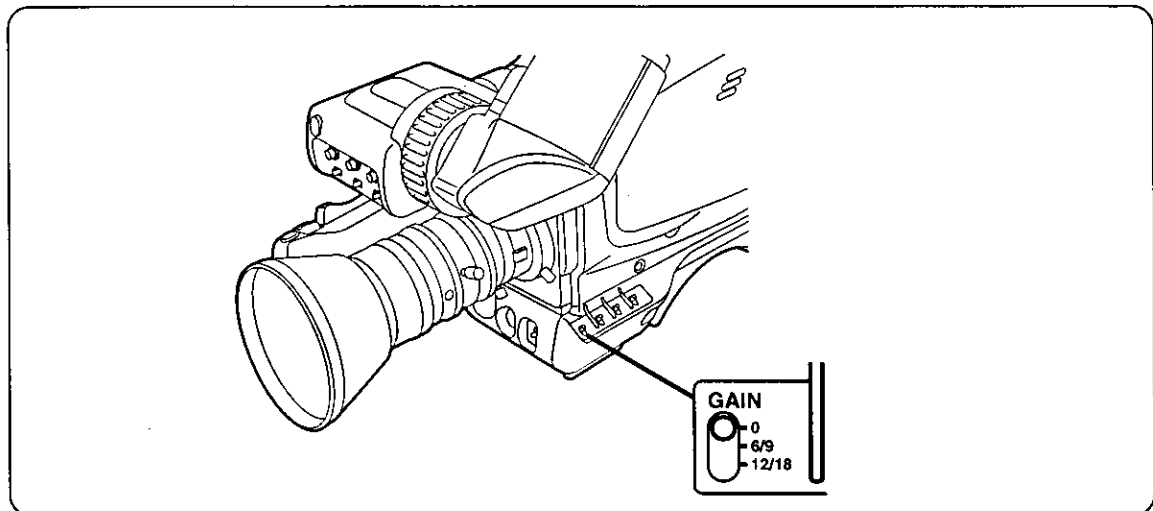
## Affichage de zébrures

Il est possible d'afficher un motif de zébrures sur une partie (plus de 85 IRE environ) de l'image.



## Réglage du gain

Pour les prises de vues en conditions d'éclairage faible, il est possible d'obtenir une image plus brillante en réglant le gain. Toutefois, il faut savoir que cela augmentera parallèlement le bruit.

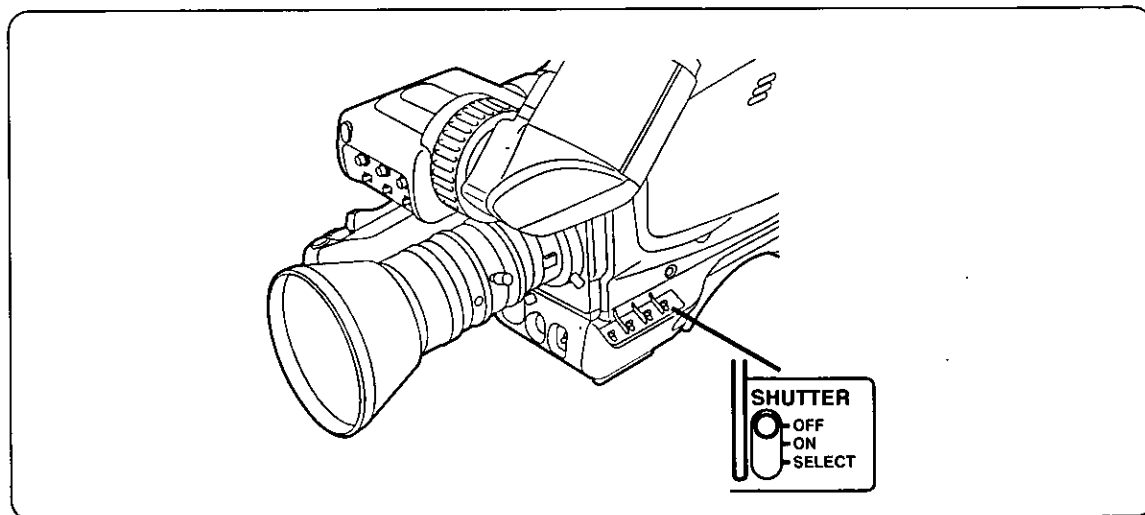


Les réglages de gain de 0/6/12 dB ou 0/9/18 dB sont prévus sur le menu CAMERA SETTING. (L'appareil a été réglé en usine au gain de 0/6/12 dB.) Pour les détails, se reporter aux menus (pages 48, 49 et 53.)



## Obturbateur à grande vitesse

Lors de prises de vues de sujets en mouvement, l'accroissement de la vitesse d'obturation permet de réduire le bougé de la caméra. Par ailleurs, le scintillement des images résultant d'une prise de vues sous un éclairage fluorescent sera réduit en changeant la vitesse d'obturation pendant la prise de vues.

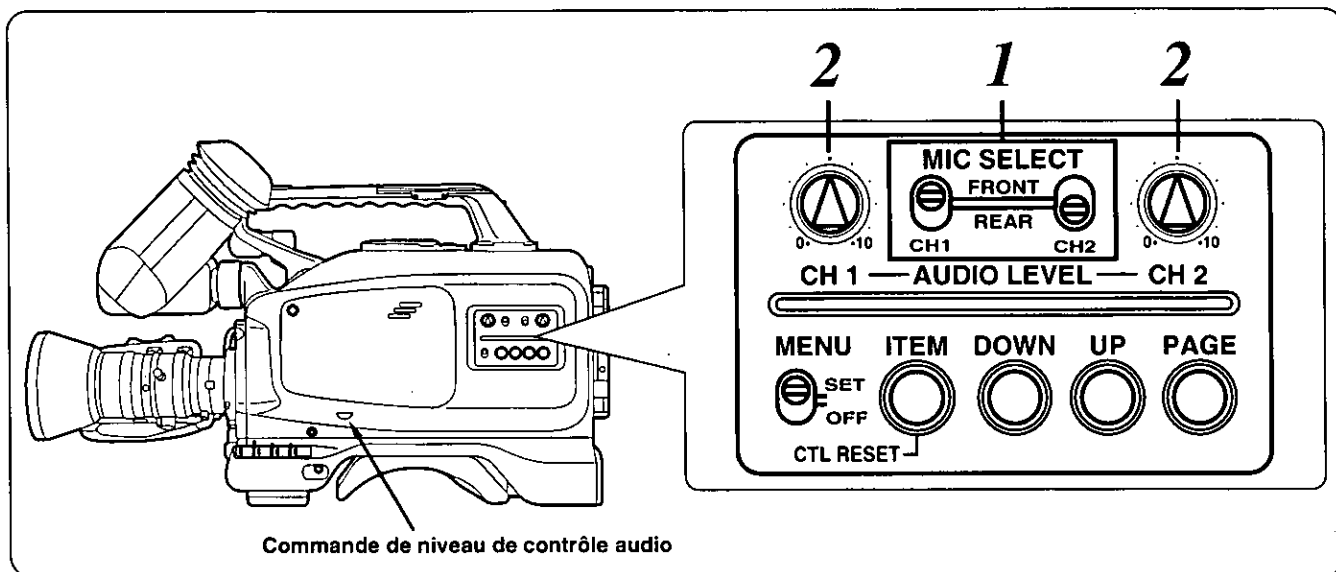


### Changement de la vitesse d'obturation

Le commutateur d'obturbateur (SHUTTER) ne se verrouille pas à la position SELECT. Chaque fois qu'il est placé à cette position, la vitesse d'obturation change dans l'ordre suivant: 1/100→1/125→1/250→1/500→1/1000→1/2000→1/4000→1/8000. Après 1/8000, la vitesse revient à 1/100.

- Remarques:
- Plus la vitesse d'obturation est élevée, plus l'image est sombre. Vérifier la luminosité des images dans le viseur, puis régler l'éclairage et le diaphragme.
  - Lors d'une prise de vues de sujets très brillants avec une vitesse d'obturation élevée, l'effet d'estompage (une sorte de déformation dans laquelle les objets sont étirés à la verticale) sera plus visible que si l'obturbateur est à la position OFF; ceci est normal.

# Enregistrement audio



- 1** Sélectionner les signaux d'entrée à l'aide des sélecteurs d'entrée audio.

Lorsque le microphone interne est utilisé	→ FRONT
Lorsqu'un microphone externe est utilisé	→ REAR

- 2** Régler les niveaux d'enregistrement à l'aide des commandes de niveau audio.

Les niveaux d'enregistrement peuvent être vérifiés dans le viseur. Régler les niveaux de façon que le décibelmètre dans l'affichage du viseur indique "-----+" ou une valeur approchante.

(Se reporter à la page 15.)

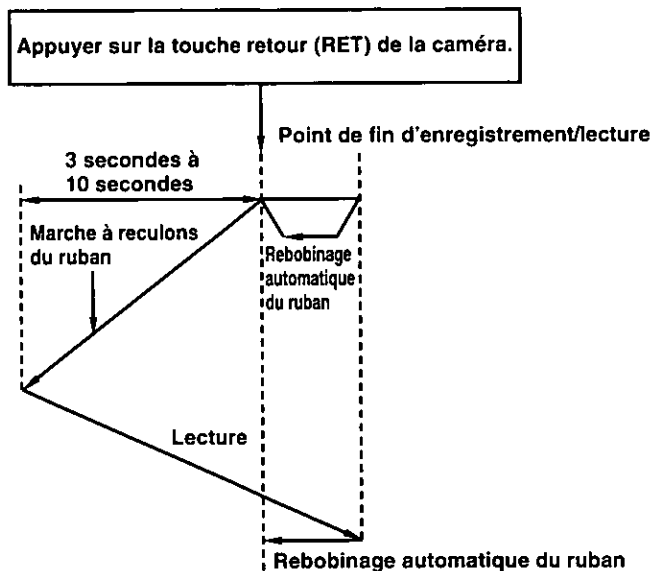
**Remarques:** ■ Un hullement peut se faire entendre si le volume du haut-parleur de contrôle sonore est réglé trop haut. Dans cette éventualité, tourner la commande de niveau du contrôle sonore pour réduire le volume jusqu'au niveau où le hullement disparaît.

**Référence:** ■ Il est possible de sélectionner l'entrée de ligne à la place d'un microphone externe en réglant un commutateur interne à la position correspondante. Pour les détails, se reporter à la page 59.

## Révision d'enregistrement

---

Lorsque la touche retour (RET) de la caméra est pressée alors que le magnétoscope est en mode pause d'enregistrement (qui est activé après le rebobinage automatique du ruban), une révision d'enregistrement s'effectue qui permet de vérifier les séquences déjà enregistrées.



- La durée de retour du ruban peut se régler entre 3 et 10 secondes, soit en appuyant sur la touche retour (RET) de la caméra, soit en la libérant tout de suite après l'avoir maintenue pressée.
- Les images de lecture apparaissent dans le viseur pendant la lecture du ruban en mode révision d'enregistrement.

<Si la section près du point de début de la révision d'enregistrement n'a pas été enregistrée>  
Les images de lecture de la section non enregistrée du ruban apparaissent dans le viseur.

**Remarque:** ■ Pendant une révision d'enregistrement, les images révisées sont envoyées aux prises de sortie vidéo (prises BNC et S-VIDEO) ainsi qu'au viseur.  
Noter que ces images de révision d'enregistrement seront enregistrées si un magnétoscope de réserve a été raccordé pour l'enregistrement d'images de sauvegarde.

## Reprise

---

Si la touche avance accélérée (FF) ou la touche rebobinage (REW) est pressée en mode pause d'enregistrement, les images de lecture seront visionnées à une fois la vitesse normale, ou les images de lecture en marche arrière seront visionnées à une fois la vitesse normale tant que la touche est maintenue enfoncée. Quand la touche est relâchée, le mode pause d'enregistrement se rétablit immédiatement. Cette fonction peut être utilisée pour reprendre des prises de vues en faisant défiler le ruban jusqu'à la position désirée tout en vérifiant les images et en recommençant l'enregistrement à partir de ce point.

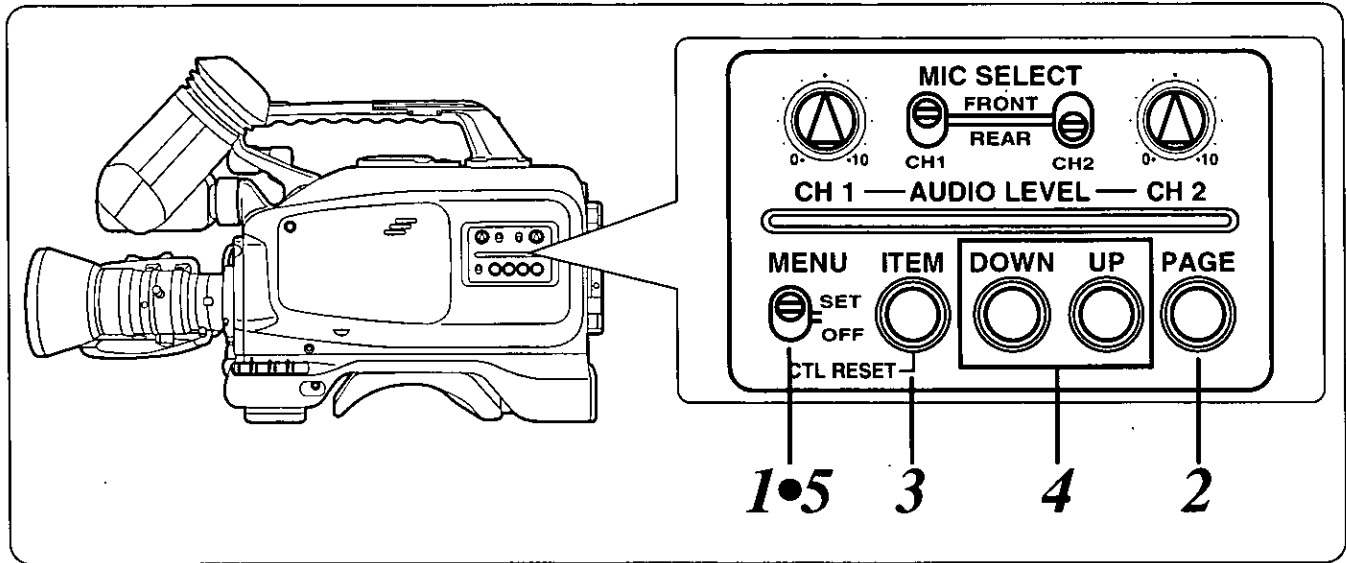
## Arrêt sur image

---

Le mode arrêt sur image (STILL) est établi lorsque la touche lecture (PLAY) est pressée pendant la lecture. A ce moment, les deux affichages électroluminescents FF et REW de la section de fonctionnement s'éclairent. Pour reprendre la lecture normale, appuyer de nouveau sur la touche lecture (PLAY).

# Menus de réglage

## Procédure de réglage

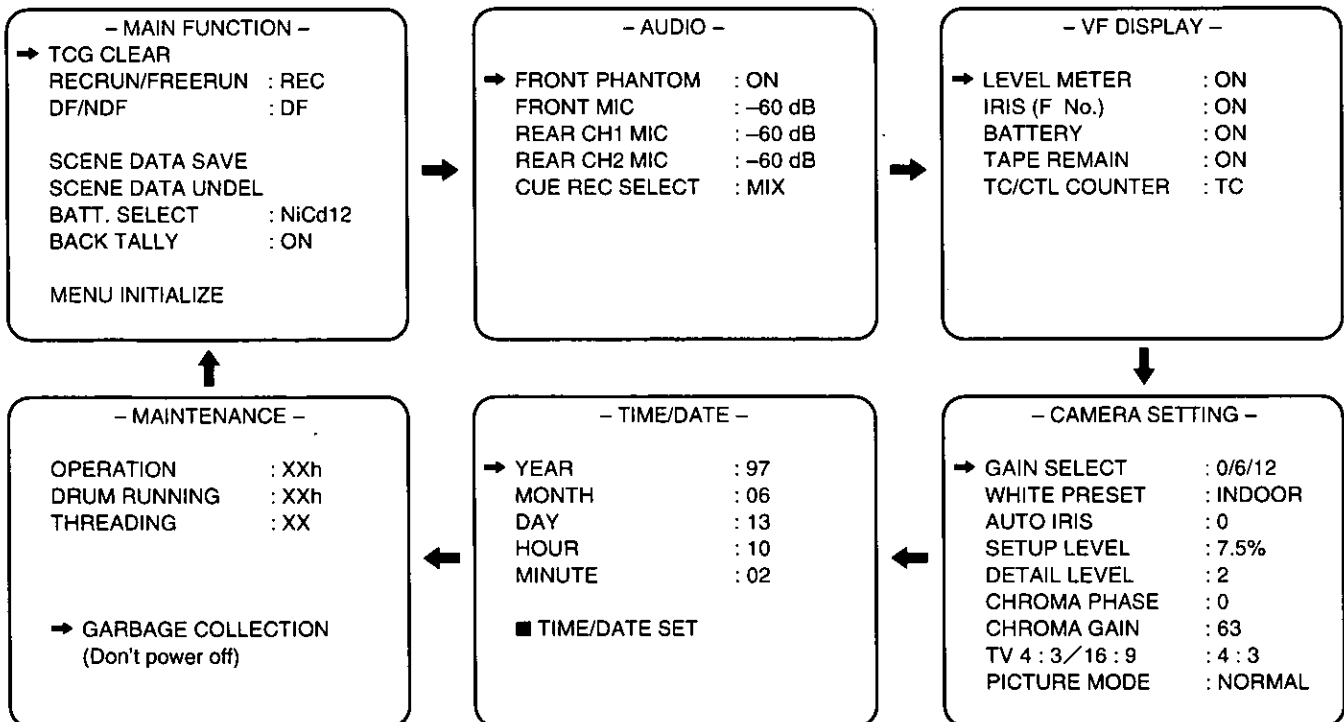


### 1 Placer le commutateur réglage/arrêt de menu (MENU SET/OFF) à la position SET.

Si le commutateur réglage/arrêt de menu (MENU SET/OFF) est à la position SET alors que l'appareil est en mode arrêt, éjection ou pause d'enregistrement, le menu s'affiche.

### 2 Appuyer sur la touche page (PAGE).

Les menus changent dans l'ordre indiqué ci-dessous par pression de la touche page (PAGE).



---

### **3 Appuyer sur la touche rubrique (ITEM).**

La touche rubrique (ITEM) se presse pour sélectionner les rubriques de chaque menu. A chaque pression sur la touche rubrique (ITEM), la flèche à gauche de l'écran bouge. La rubrique indiquée par la flèche est la rubrique actuellement sélectionnée.

### **4 Appuyer sur la touche haut (UP) ou bas (DOWN).**

Appuyer sur la touche haut (UP) ou bas (DOWN) pour sélectionner un autre paramètre.

### **5 Lorsque les réglages sont terminés, placer le commutateur réglage/arrêt de menu (MENU SET/OFF) à la position OFF.**

Le viseur revient à l'écran original.

**Remarque:** Les paramètres de réglage s'enregistrent dans la mémoire flash interne quelques secondes après le réglage du commutateur réglage/arrêt de menu (MENU SET/OFF) à la position OFF. Noter que les données ne seront pas sauvegardées correctement si le commutateur réglage/arrêt de menu (MENU SET/OFF) est toujours à la position SET ou tout de suite après le réglage du commutateur à la position OFF.

## Menu MAIN FUNCTION

- MAIN FUNCTION -	
→ TCG CLEAR	
RECRUN/FREERUN	: REC
DF/NDF	: DF
SCENE DATA SAVE	
SCENE DATA UNDEL	
BATT. SELECT	: DIGIT
BACK TALLY	: ON
MENU INITIALIZE	

Rubrique du menu	Mode réglé	Fonctions
TCG CLEAR		Efface le générateur de signal de base de temps.
RECRUN/FREERUN	<u>REC</u> FREE	Sélectionne si le générateur de signal de base de temps doit fonctionner en mode enregistrement (REC RUN) ou en mode fonctionnement libre (FREE RUN). La régénération s'effectue si le mode enregistrement (REC RUN) est sélectionné.
DF/NDF	<u>DF</u> NDF	Sélectionne si le générateur de signal de base de temps doit fonctionner en mode "Drop Frame" ou en mode "Non Drop Frame".
SCENE DATA SAVE		Enregistre les données SCENE sur le ruban. (Se reporter à la section sur les données SCENE, aux pages 56 et 57.)
SCENE DATA UNDEL		Restaure les données SCENE. (Se reporter à la section sur les données SCENE, aux pages 56 et 57.)
BATT. SELECT	<u>NiCd12</u> NiCd13 NiCd14 DIGIT	Sélectionne le type de batterie utilisé. NiCd12: Pour un adaptateur secteur ou une batterie au nickel-cadmium de 12 V NiCd13: Pour une batterie au nickel-cadmium de 13,2 V NiCd14: Pour une batterie au nickel-cadmium de 14,4 V DIGIT: Pour une batterie au nickel cadmium numérique (même réglage pour 13,2 V et 14,4 V)
BACK TALLY	<u>ON</u> OFF	Sélectionner ON si l'affichage électroluminescent de signalisation arrière doit être utilisé; sélectionner OFF s'il ne doit pas être utilisé.
MENU INITIALIZE		Ramène toutes les rubriques du menu aux réglages usine (mode implicite).

Le soulignement indique le mode implicite.

## Menu AUDIO

- AUDIO -	
→ FRONT PHANTOM	: ON
FRONT MIC	: -60 dB
REAR CH1 MIC	: -60 dB
REAR CH2 MIC	: -60 dB
CUE REC SELECT	: MIX

Rubrique du menu	Mode réglé	Fonctions
FRONT PHANTOM	<u>ON</u> OFF	Active (ON) ou désactive (OFF) l'alimentation fantôme du microphone avant. Sélectionner ON pour utiliser le microphone fourni avec l'appareil.
FRONT MIC	-60 dB -50 dB -40 dB	Sélectionne le niveau d'entrée du microphone avant. Sélectionner -60 dB, -50 dB ou -40 dB en fonction du microphone utilisé.
REAR CH1 MIC	-60 dB -50 dB -40 dB	Sélectionne le niveau d'entrée de la voie 1 du microphone arrière. Sélectionner -60 dB, -50 dB ou -40 dB en fonction du microphone utilisé.
REAR CH2 MIC	-60 dB -50 dB -40 dB	Sélectionne le niveau d'entrée de la voie 2 du microphone arrière. Sélectionner -60 dB, -50 dB ou -40 dB en fonction du microphone utilisé.
CUE REC SELECT	CH1 CH2 <u>MIX</u>	Sélectionne l'enregistrement des signaux de la voie 1, de la voie 2 ou les signaux mélangés sur la piste audio repère (CUE).

Le soulignement indique le mode implicite.

## Menu VF DISPLAY

- VF DISPLAY -		
→ LEVEL METER	:	ON
IRIS (F No.)	:	ON
BATTERY	:	ON
TAPE REMAIN	:	ON
TC/CTL COUNTER	:	TC

Rubrique du menu	Mode réglé	Fonctions
LEVEL METER	<u>ON</u> OFF	Sélectionne si la valeur du décibelmètre audio doit être affichée dans le viseur.
IRIS (F No.)	<u>ON</u> OFF	Sélectionne si la valeur-f du diaphragme doit être affichée dans le viseur.
BATTERY	<u>ON</u> OFF	Sélectionne si la charge restante de la batterie doit être affichée dans le viseur.
TAPE REMAIN	<u>ON</u> OFF	Sélectionne si le temps restant du ruban doit être affiché dans le viseur.
TC/CTL COUNTER	<u>TC</u> UB CTL OFF	Sélectionne si le compteur du viseur doit afficher le signal de base de temps, les bits de l'utilisateur, le signal CTL ou rien.

Le soulignement indique le mode implicite.



## Menu CAMERA SETTING

- CAMERA SETTING -	
→ GAIN SELECT	: 0/6/12
WHITE PRESET	: INDOOR
AUTO IRIS	: 0
SETUP LEVEL	: 7.5%
DETAIL LEVEL	: 2
CHROMA PHASE	: 0
CHROMA GAIN	: 63
TV 4 : 3 / 16 : 9	: 4 : 3
PICTURE MODE	: NORMAL

Rubrique du menu	Mode réglé	Fonctions
GAIN SELECT	<u>0/6/12</u> 0/9/18	Sélectionne si le sélecteur de gain de la caméra doit fonctionner sur le réglage 0/6/12 dB ou 0/9/18 dB.
WHITE PRESET	<u>INDOOR</u> OUTDOOR FLUOR	Sélectionne si le réglage s'effectue sur OUTDOOR (extérieur), INDOOR (intérieur) ou FLUOR (éclairage fluorescent) lorsque le sélecteur de l'équilibre des blancs (WHITE BAL) de la caméra est à la position PRST.
AUTO IRIS	-3.0 : <u>0</u> : 3.0	Sélectionne la luminosité cible du diaphragme. La luminosité se règle par incréments de 0,1 -3.0 à +3.0. Exemple: Lorsque -1.5 est sélectionné, le diaphragme se ferme d'environ 1,5 arrêt par rapport au réglage usine. Cependant, il risque d'y avoir un léger décalage par rapport à cette valeur.
SETUP LEVEL	0% <u>7.5%</u>	Règle le niveau de configuration de la caméra. Le niveau pourra être de 0% ou de 7,5%.
DETAIL LEVEL	0 : <u>2</u> : 16	Effectue un réglage fin du niveau de détail de la caméra. Le réglage s'effectue de 0 à 16.
CHROMA PHASE	-32 : <u>0</u> : 32	Effectue un réglage fin des teintes de la caméra. Régler le paramètre dans le sens + pour rendre les tons chair plus rouges, et dans le sens - pour les rendre plus jaunes. Il est possible de régler toute valeur comprise entre -32 et +32.
CHROMA GAIN	0 : <u>63</u>	Règle l'intensité des couleurs de la caméra. Plus le paramètre est élevé, plus l'intensité des couleurs est forte. Il est possible de régler toute valeur comprise entre 0 et 63.
TV 4 : 3 / 16 : 9	<u>4 : 3</u> 16 : 9	Sélectionne si la caméra doit fonctionner au format d'écran de 4:3 ou de 16:9.
PICTURE MODE	<u>NORMAL</u> FRAME	Sélectionner NORMAL pour une prise de vues ordinaire. Au paramètre FRAME, les images auront un effet de "saut d'image".

Le soulignement indique le mode implicite.

## Menu TIME/DATE

– TIME/DATE –

→ YEAR : 97

MONTH : 06

DAY : 13

HOUR : 10

MINUTE : 02

■ TIME/DATE SET

**Remarque:** Il est indispensable d'amener la flèche à la position "■ TIME/DATE SET", et d'appuyer sur la touche haut (UP) ou bas (DOWN) avant de mettre fin au réglage. Les valeurs ne seront pas enregistrées si la touche haut (UP) ou bas (DOWN) n'est pas pressée à la position "■ TIME/DATE SET".

Rubrique du menu	Mode réglé	Fonctions
YEAR	00 : 99	Règle les deux derniers chiffres de l'année. Exemple: Régler "97" pour 1997, et "01" pour 2001.
MONTH	01 : 12	Règle le mois à l'aide de deux chiffres.
DAY	01 : 31	Règle les jours à l'aide de deux chiffres.
HOUR	00 : 24	Règle les heures à l'aide de deux chiffres.
MINUTE	00 : 59	Règle les minutes à l'aide de deux chiffres.

## Menu MAINTENANCE

- MAINTENANCE -

OPERATION : XXh  
 DRUM RUNNING : XXh  
 THREADING : XX

→ GARBAGE COLLECTION  
 (Don't power off)

Rubrique du menu	Fonctions
OPERATION	Indique le nombre d'heures cumulées pendant lesquelles l'appareil a été en contact jusqu'à ce jour.
DRUM RUNNING	Indique le nombre d'heures totales cumulées pendant lesquelles le cylindre des têtes a fonctionné jusqu'à ce jour.
THREADING	Indique le nombre de fois que le ruban a été chargé jusqu'à ce jour.
GARBAGE COLLECTION	<p>Envoie l'ordre de vider les données parasites de la mémoire flash interne. Si le message "FLASH MEMORY EMPTY" apparaît dans le viseur lorsque l'appareil est en contact, aligner la flèche sur "GARBAGE COLLECTION" et appuyer sur la touche haut (UP) ou bas (DOWN). Le vidage des données parasites de la mémoire flash commence.</p> <p><b>Remarques:</b></p> <ul style="list-style-type: none"> <li>● Lorsque le vidage des données parasites de la mémoire flash a commencé, aucune opération ne sera possible pendant environ une minute. Le fonctionnement normal reprend lorsque l'opération de vidage est terminée.</li> <li>● NE PAS couper le contact pendant le vidage des données parasites de la mémoire flash. Par ailleurs, s'assurer que la charge de la batterie est suffisante pour effectuer cette opération. Si l'appareil est mis hors contact pendant la procédure, le vidage des données parasites de la mémoire flash s'interrompt et il ne pourra pas reprendre correctement, ce qui affectera le fonctionnement ultérieur.</li> </ul>

## Données SCENE (enregistrement de données d'actualités)

Si les données SCENE sont utilisées pour un montage non-linéaire futur ou pour d'autres applications de ce genre, le travail pourra être effectué avec une très grande efficacité.

Les données SCENE sont un système d'échange d'information qui améliore le rendement pendant le montage. Elles fonctionnent en rassemblant les informations de montage pendant la prise de vues et en les enregistrant sur le ruban.

Les informations de données SCENE sont les suivantes pour chaque insertion.

Insertion 1	Signal de base de temps de début d'enregistrement	Signal de base de temps de fin d'enregistrement	MARQUE
Insertion 2	Signal de base de temps de début d'enregistrement	Signal de base de temps de fin d'enregistrement	MARQUE
...			
Insertion 200	Signal de base de temps de début d'enregistrement	Signal de base de temps de fin d'enregistrement	MARQUE

- Le signal de base de temps de début d'enregistrement et le signal de base de temps de fin d'enregistrement s'inscrivent automatiquement.
- Les MARQUES s'inscrivent par pression des touches.
- Lorsque la cassette est remplacée, le ruban revient à l'insertion 1.
- Pour garantir une continuité de trame-à-trame pendant le fonctionnement, l'appareil rebobine le ruban de quelques images en arrière à partir de l'arrêt d'enregistrement de la séquence précédente, puis il commence l'enregistrement de la séquence suivante (ceci s'appelle un "enregistrement par chevauchement"). C'est pourquoi la position du signal de base de temps d'arrêt d'enregistrement des informations de données SCENE est décalée de plusieurs images vers l'avant par rapport au point de fin de la séquence enregistrée sur le ruban.

### 1 Opération de marquage (MARK)

L'état "No MARK" est établi lorsque l'enregistrement commence.

Une marque (MARK) est un mémo extrêmement simple (3 types: "No MARK", "MARK 1" ou "MARK 2") qui est inséré pendant la prise de vues afin de faciliter le montage par la suite.

Il faudra se créer ses propres règles pour l'utilisation de ces marques, par exemple en assignant "MARK 1" à une session de prise de vues et "MARK 2" à une autre session. Lorsque les conditions des règles ainsi établies sont satisfaites, appuyer sur la touche marque/annulation (MARK/CANCEL). "MARK 1" apparaît dans le coin droit du viseur. Si la touche marque/annulation (MARK/CANCEL) est pressée à nouveau, "MARK 2" apparaît, et si la touche marque/annulation (MARK/CANCEL) est encore pressée, le mode annulation (CANCEL) est établi, et l'affichage "MARK" dans le coin droit du viseur s'efface.

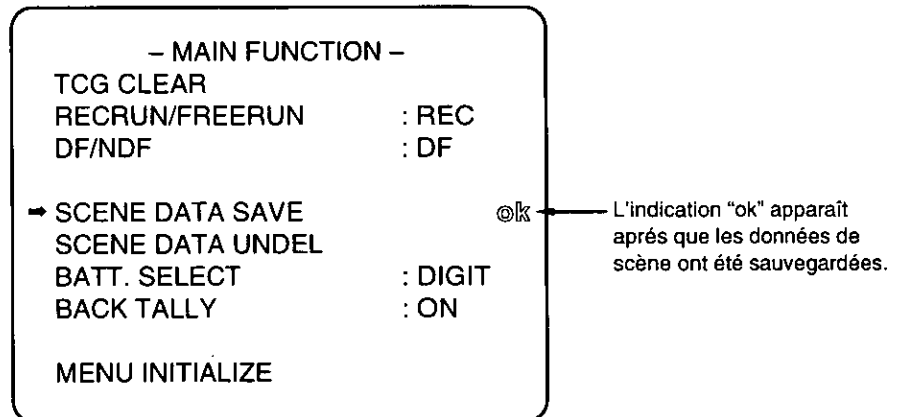
Lorsque l'enregistrement de l'insertion suivante commence, cette "marque" s'enregistre dans la mémoire interne, et la touche marque/annulation (MARK/CANCEL) pourra être pressée autant de fois que nécessaire jusqu'au début de l'enregistrement suivant.

## 2 Sauvegarde des données SCENE sur le ruban

Les données SCENE sont sauvegardées avant que le ruban ne soit éjecté. Normalement, elles sont sauvegardées après la prise de vues de l'insertion finale.

Placer le commutateur réglage/arrêt de menu (MENU SET/OFF) à la position SET et afficher le menu principal (MAIN).

### Ecran de menu (viseur)



Utiliser la touche rubrique (ITEM) pour aligner la flèche sur la position SCENE DATA SAVE, et appuyer sur la touche haut (UP) ou bas (DOWN).

La couleur de l'écran devient verte, et le magnétoscope commence à fonctionner en mode enregistrement. Il faut environ 10 secondes pour que les données SCENE soient sauvegardées, après quoi le viseur revient à l'écran d'origine et l'indication "ok" s'affiche.

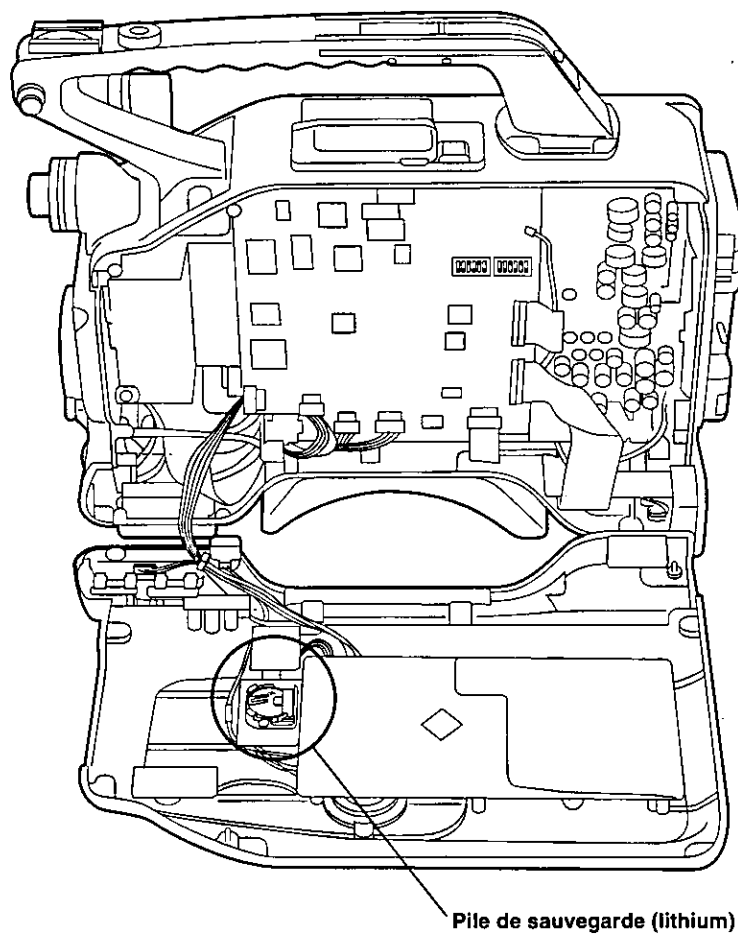
- Remarques:**
- Aucune autre opération n'est possible pendant la sauvegarde des données SCENE.
  - Lorsque le ruban est éjecté, les données SCENE enregistrées sur le ruban s'effacent, et l'appareil se prépare à recueillir les données SCENE du ruban suivant.
  - Il n'est pas possible de sauvegarder les données SCENE avec le mode SAVE (qui est automatiquement activé afin de protéger le ruban lorsque l'appareil est resté en mode pause à l'enregistrement pendant plus de 30 minutes). Dans ce cas, appuyer tout d'abord sur la touche STOP pour libérer le mode SAVE, puis sauvegarder les données SCENE.

- Référence:**
- S'il est absolument nécessaire de restaurer les données parce qu'il a été oublié de les sauvegarder sur le ruban avant d'éjecter le ruban, recharger la cassette éjectée, afficher le menu MAIN FUNCTION et utiliser la touche rubrique (ITEM) pour aligner la flèche sur SCENE DATA UNDEL. Les données seront restaurées par pression sur la touche haut (UP) ou bas (DOWN).  
Si la cassette est rechargée après avoir été éjectée puis que l'enregistrement commence, les données seront recouvertes par les données SCENE du nouveau ruban. Cela veut dire que les données ne pourront pas être restaurées.

## Remplacement de la pile de sauvegarde

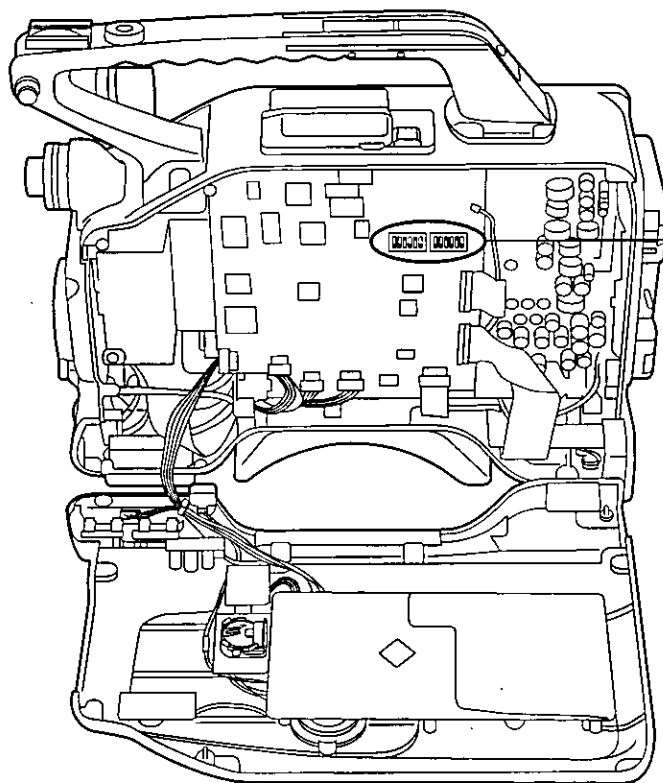
---

L'appareil a quitté l'usine avec une pile de sauvegardée déjà installée.  
Lorsque la pile est épuisée, le message "BACKUP BATTERY EMPTY" apparaît dans le viseur.  
Consulter son détaillant pour remplacer la pile par une neuve (CR2032 ou BR2032).

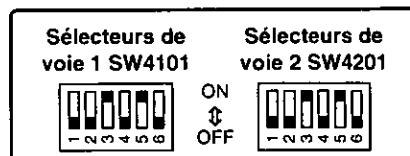


# Sélection de l'entrée audio

Pour raccorder un microphone fantôme ou l'entrée de ligne aux prises d'entrée audio sur le panneau arrière de l'appareil, régler les commutateurs internes (sélecteurs d'entrée audio) à la position appropriée.



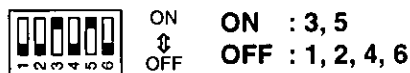
Sélecteurs d'entrée audio



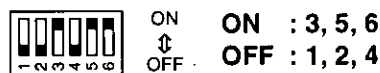
### Détails techniques :

- 1: Pour la sélection du gain (le gain augmente à OFF).
- 6: Pour la sélection de l'alimentation fantôme.
- 2, 3, 4, 5: Pour la sélection de l'atténuateur.

## Lors de l'utilisation d'un microphone ordinaire (réglage usine):

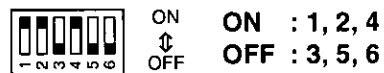


## Lors de l'utilisation d'un microphone fantôme:



Placer les sélecteurs aux positions ci-dessus.

## Lors de l'utilisation de l'entrée de ligne:



Placer les sélecteurs aux positions ci-dessus.

Le niveau d'entrée de ligne se règle sur trois valeurs au choix : -6 dB, 0 dB ou +4 dB. Il se règle avec la rubrique REAR CH1 MIC/REAR CH2 MIC (sur le menu AUDIO/voir page 51), mais l'affichage de l'écran du menu ne changera pas même si les commutateurs internes sont placés aux positions indiquées ci-dessus. Utiliser le tableau ci-dessous à titre indicatif pour la conversion du niveau d'entrée.

Affichage du menu	Pour microphone	Pour entrée de ligne
-60 dB	-60 dB	-6 dB
-50 dB	-50 dB	0 dB
-40 dB	-40 dB	+4 dB

# Conseils relatifs à l'éclairage

## Eclairage de studio

Dans un studio, utiliser une lampe halogène d'une température de couleur de 3000 K à 3200 K. Si la température de couleur de la source d'éclairage est différente, les couleurs du sujet seront différentes de ce qu'elles apparaissent à l'œil. Les ombres risquent d'être colorées, ou l'image peut ne pas avoir les bonnes couleurs.

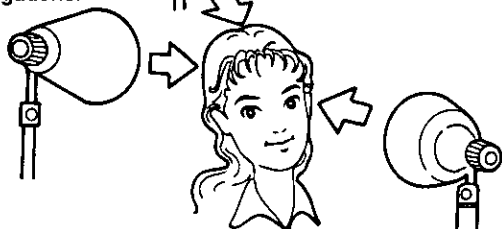
Utiliser un éclairage de 300 lux ou plus. Si l'éclairage est inférieur à cette valeur, l'écran risque d'être sombre, le contraste d'être insuffisant, la plage de mise au point réduite ou la qualité d'image de souffrir quelqu'autre dégradation.

Veiller à ce que l'éclairage soit bien dirigé uniformément sur la totalité du sujet, et qu'il ne se forme pas d'ombres.

Pour évaluer la luminosité, consulter les chiffres du tableau ci-dessous, qui ne sont donnés qu'à titre indicatif.

Comme source d'éclairage, utiliser une lampe halogène (3000 K à 3200 K) d'une luminosité égale ou supérieure à 300 lux, en dirigeant l'éclairage uniformément sur la totalité du sujet.

Eclairage principal placé légèrement plus haut que le sujet et à gauche.



Eclairage de base légèrement plus faible et placé en haut et à droite.

Eclairage requis	Eclairage désiré	Prise de vues sans éclairage	Filtre ND requis
10	● Lumière d'une bougie à 20 cm (10 à 15) ● Lumière d'un briquet à 30 cm (15)		
30			
50	● Lumière d'un réverbère (50 à 100)		
100	● Galerie commerciale la nuit (150 à 200) ● Faisceau direct d'une torche à 1 m (250)		
500	● Intérieur avec éclairage fluorescent (400 à 500) ● Rayon d'un grand magasin (500 à 700)		
1 000	● Lumière du jour 1 heure avant le crépuscule par beau temps (1 000) ● Lumière du jour 1 heure après l'aube par temps couvert (2 000) ● Près de la fenêtre d'un train l'après-midi (3 500)		
10 000	● Lumière du jour à 10h du matin par temps couvert (25 000) ● Lumière du jour à midi par temps couvert (32 000) ● Lumière du jour à 3h de l'après-midi par beau temps (35 000) ● Lumière du jour à 10h du matin par beau temps (65 000)		
100 000	● Lumière du jour par beau temps (100 000)  ● Extérieur à midi avec un ciel dégagé ● Plage en plein cœur de l'été ● Montagnes recouvertes de neige		

(Unité : lux)

- Remarques:
- Ne pas diriger l'objectif directement sur le soleil ni prendre pendant longtemps un sujet qui réfléchit une lumière vive ou la lumière qui sert d'éclairage.
  - Lors d'une prise de vues sous éclairage fluorescent, il risque d'y voir un scintillement. Dans cette éventualité, utiliser un éclairage supplémentaire, par exemple des projecteurs (accessoires vendus séparément).
  - S'il y a trop de lumière, se procurer un filtre ND (62 mm de diamètre) dans un magasin photo et le fixer devant l'objectif.



---

---

## Conseils pour les prises de vues en extérieur

Si, lors d'une prise de vues en extérieur sous un ciel dégagé ou pour toute autre raison, la luminosité du sujet lui-même est très forte, il est recommandé de régler la quantité de lumière à l'aide de l'obturateur électronique ou d'ajouter un filtre ND devant l'objectif.

L'appareil ne contient pas de filtre ND. S'en procurer un (diamètre 62 mm) dans un magasin photo et le fixer devant l'objectif.

---

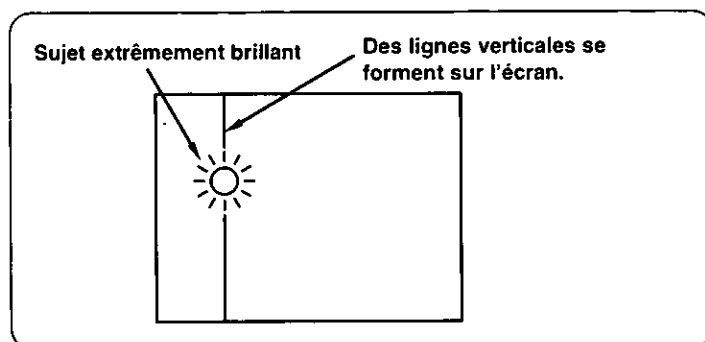
---

## Phénomènes inhérents aux caméras CCD

Les phénomènes suivants se produisent quelquefois avec les caméras CCD.

### Estompage

Bien que l'appareil affiche des caractéristiques d'estompage extrêmement faibles, il peut se produire un estompage lorsque le sujet est extrêmement brillant.



### Scintillement

Il arrive qu'il se produise un scintillement avec des éclairages fluorescents. C'est le cas dans les régions ayant une fréquence de ligne de 50 Hz ou à l'utilisation d'une vitesse d'obturation rapide. Pour éviter le scintillement, régler la vitesse de l'obturateur électronique à 1/100 si la fréquence de ligne est de 50 Hz, et à OFF si elle est de 60 Hz.

### Moiré

Un moiré apparaît parfois lors de la prise de vues de sujets ayant des rayures.

### Lignes blanches

Des lignes blanches apparaissent parfois à haute température. Elles peuvent être plus visibles si le gain a été augmenté.

### Irrégularité de l'image

L'irrégularité de l'image est un motif spécifique qui recouvre l'écran tout entier lorsque la température est extrêmement élevée.

# Guide de dépannage

S'il se produit une anomalie dans l'appareil, effectuer les vérifications et les corrections ci-dessous. Si le problème persiste, consulter son détaillant.

Symptôme	Vérification/correction	Page de référence
● Pas d'alimentation.	<ul style="list-style-type: none"><li>● Vérifier si la batterie est suffisamment chargée.</li><li>● Vérifier si l'adaptateur secteur est raccordé à fond.</li></ul>	—
● L'avertissement de batterie faible s'affiche (l'affichage électroluminescent BATT ou TALL s'éclaire ou clignote).	<ul style="list-style-type: none"><li>● Vérifier si la batterie est suffisamment chargée.</li><li>● Vérifier si le menu de réglage de la batterie est réglé correctement. Lorsque l'adaptateur secteur est utilisé, sélectionner NiCd12 sur le menu.</li></ul>	15, 50
<ul style="list-style-type: none"><li>● Le message "BACKUP BATTERY EMPTY" apparaît à la mise en contact.</li><li>● Le temps réel n'est pas correct.</li></ul>	<ul style="list-style-type: none"><li>● La pile de sauvegarde a peut-être atteint sa limite de service (autonomie d'un an environ). Consulter son détaillant pour la remplacer.</li></ul>	16, 58
● Pas de fonctionnement alors que les touches de fonction sont pressées.	<ul style="list-style-type: none"><li>● Vérifier s'il y a un message d'erreur dans le viseur.</li></ul>	16, 17
● Pas d'avance accélérée ni de rebobinage.	<ul style="list-style-type: none"><li>● Vérifier si l'avance accélérée ou le rebobinage ne sont pas déjà terminés.</li></ul>	—

# Condensation

---

De la condensation risque de se former sur le cylindre des têtes si l'appareil est amené d'un lieu froid à une pièce chaude ou s'il fonctionne dans un environnement humide.

Le principe de ce phénomène est le même que lorsque des gouttelettes d'eau se forment sur les vitres d'une pièce chauffée.

Ces gouttelettes sont appelées "condensation". Si le ruban défile alors qu'il s'est formé de la condensation, le cylindre des têtes et le ruban risquent de s'endommager.

Prendre les précautions suivantes en présence de condensation:

- Avant d'insérer la cassette, mettre l'interrupteur (POWER) à la position ON et vérifier si l'affichage électroluminescent BATT ou TALL est éteint ou clignote et si l'affichage HUMID est éteint sur le registre.
- Chaque fois que cela est possible, ne pas utiliser l'appareil si de la condensation risque de se former.
- Avant de déplacer l'appareil, retirer la cassette.
- Si l'affichage HUMID clignote alors que la cassette est déjà insérée, prendre les mesures suivantes.
  1. Mettre l'appareil en contact.
  2. Appuyer sur la touche éjection (EJECT) pour éjecter la cassette.
  3. Attendre que l'affichage HUMID ait cessé de clignoter.
  4. Lorsque l'affichage HUMID a cessé de clignoter, insérer la cassette et l'utiliser.
  5. Vérifier que l'appareil fonctionne normalement.

- Ce caméscope renferme des mécanismes de précision qui sont conçus pour permettre de profiter au maximum des hautes performances de l'appareil. Pour que l'appareil puisse fonctionner pendant de longues années, bien veiller à l'entretenir correctement. La lubrification, le remplacement des pièces, le réglage et les réparations des composants électriques exigent des techniques et un matériel sophistiqués. Avant chacune de ces opérations, consulter un détaillant.
- Le fait de ne pas nettoyer l'appareil de la poussière et de l'encrassement qui se sont accumulés à l'intérieur, huiler l'appareil, remplacer les pièces usées (têtes, etc.) ou effectuer toutes les opérations d'entretien ou de vérification nécessaires non seulement rendra impossible l'obtention d'une bonne image et d'un enregistrement satisfaisant, mais aura également des conséquences néfastes sur la durée de service de l'appareil. C'est pourquoi les vérifications et l'entretien devront être effectués en temps utile.

## Nettoyage des têtes

Lorsque les têtes ont besoin d'être nettoyées, utiliser la cassette de nettoyage AJ-CL12LP. Suivre les instructions qui accompagnent la cassette de nettoyage car les têtes vidéo risquent d'être endommagées si la cassette n'est pas utilisée correctement.

## Nettoyage de la lentille

- Entretien et vérifier la lentille une fois par an.
- Le fait d'essuyer la lentille risque de la rayer. Utiliser une poire soufflante ou une brosse à poils doux pour souffler ou enlever la poussière ou la saleté qui ont pu s'accumuler à la surface de la lentille.
- S'il y a de la graisse ou des traces de doigt sur la lentille, se procurer un produit de nettoyage pour lentille dans un magasin photo, et essuyer la lentille du centre vers la périphérie suivant un mouvement circulaire.

Faire en sorte que les gouttelettes d'eau ne pénètrent pas à l'intérieur de la lentille lors d'une prise de vues sous la pluie ou sous la neige.

Lorsque l'objectif est détaché de l'appareil, fixer le capuchon d'objectif pour empêcher toute pénétration de poussière et de saleté à l'intérieur de l'objectif.

## Nettoyage du viseur

- Ne pas utiliser de diluant pour peinture, ni aucun autre solvant pour enlever la saleté du viseur.
- Essuyer la lentille à l'aide d'un produit de nettoyage pour lentille en vente dans les magasins photo.
- En aucun cas les miroirs ne seront touchés. Si de la poussière ou de la saleté se sont accumulées dessus, les souffler avec une poire soufflante en vente dans les magasins photo.

# Données techniques

## [Données générales]

<b>Alimentation:</b>	12 V c.c. (10,5 V à 17,0 V)
<b>Consommation:</b>	16 W (appareil principal y compris le viseur)

**Température ambiante:**

0°C à 40°C (32°F à 104°F)

**Température de rangement:**

-20°C à 60°C (-4°F à 140°F)

**Humidité ambiante:** Inférieure à 80% (humidité relative)

**Durée d'utilisation continue:**

Environ 120 minutes

(avec Trimpack Anton Bauer 14, durée d'enregistrement continu)

**Dimensions**

(L × H × P): 126 × 292 × 337 mm (4-15/16 × 11-1/2 × 13-5/16 pouces)

**Poids:**

3,5 kg (7,7 lb) appareil principal seulement

5,9 kg (13,0 lb) avec batterie NP-1, viseur, objectif FUJINON 14x, cassette de 123 minutes

## [Caméra]

**Senseur d'image:** Capteur CCD 1,3 pouce à transfert d'interlignage (IT) avec objectif sur puce (système de décalage des pixels) ×3

**Pixels:** 542 (H) × 492 (V)

**Fréquence d'entraînement horizontal:**

11,25 MHz

**Sensibilité:** 2000 lux, f/5.6

**Eclairage minimum:** 5 lux (f/1,4 +18 dB)

**Rapport signal/bruit:** 60 dB (type)

**Définition horizontale:** Environ 500 lignes (au centre)

**Définition verticale:** 400 lignes

**Fréquence d'échantillonnage:**

13,5 MHz/27 MHz

**Vitesses d'obturateur:** 1/100, 1/125, 1/250, 1/500, 1/1000, 1/2000, 1/4000, 1/8000

**Sélection de gain:** 0/6/12 dB ou 0/9/18 dB

**Monture d'objectif:** Monture à baïonnette de 1/3 pouce

**Système optique de séparation des couleurs:**

Prisme (f/1,4)

**Erreur d'inscription:** Inférieure à 0,03%

(sur la plage entière, à l'exception de la distorsion d'objectif)

## [Viseur]

**Registre:** Registre monochrome de 1,5 pouce, haute définition

**Définition horizontale:** 600 lignes (au centre)

**Commandes externes:** Commandes BRIGHT, CONTRAST, PEAKING

Commutateurs TALLY ON/OFF, ZEBRA ON/OFF, CHARACTER ON/OFF

---

---

**[Magnétoscope]** Les spécifications audio et vidéo s'appliquent pour une cassette enregistrée sur l'appareil et lue sur un lecteur normal (ANALOG COMPONENT OUT).

**Vitesse de défilement:** 33,8201 mm/s  
**Durée d'enregistrement/lecture:** Environ 123 minutes (avec cassette AJ-P123LP)  
**Durée d'avance accélérée/rebobinage:** Environ 5 minutes 40 secondes  
**Plage de signal vidéo:** Luminosité = 0 Hz à 5,75 MHz, +1,0 dB/-3,0 dB  
**Rapport signal/bruit:** 55 dB  
**Linéarité:** Inférieure à 2%  
**Retard Y/C:** Dans la limite de 20 ns  
**Fréquence d'échantillonnage audio:** 48 kHz (synchronisée sur le signal vidéo)  
**Quantification:** 16 bits/échantillon  
**Réponse en fréquence:** 20 Hz à 20 kHz,  $\pm 1,0$  dB (au niveau de référence)  
**Distorsion:** Inférieure à 0,2% (à 1 kHz, niveau de fonctionnement)  
**Diaphonie:** Inférieure à -65 dB (entre les canaux, à 1 kHz)  
**Pleurage et scintillement:** Inférieurs aux limites mesurables  
**Espace de tête:** 20 dB

### [Connecteurs]

**Entrée FRONT MIC:** Fantôme +48 V (microphone interne), -60 dBu, symétrique, 3 kohms (réglage -60, -50, -40 dBu possible sur le menu)  
**AUDIO IN CH1/CH2 (XLR, 3 contacts):** Réglage -60, -50, -40 dBu possible sur le menu, symétrique, 10 kohms  
Réglage par commutateur DIP interne:  
Sortie fantôme 48 V possible  
Ligne réglable (-6/0/+4 dBu)

**Sortie AUDIO OUT CH1/CH2 (prise à contact Phono):** Réglage -6 dBu, sortie asymétrique à faible impédance  
**HEADPHONE OUT:** Mini prise stéréo  
**VIDEO OUT (BNC):** 1,0 V c.-a.-c., 75 ohms  
**S-VIDEO OUT:** Signal Y = 1,0 V c.-a.-c., 75 ohms  
Signal C = 0,286 V c.-a.-c. (salve), 75 ohms

**Autres LENS (12 contacts)**

### [Accessoires]

**Viseur de 1,5 pouce**  
**Microphone (fourni avec l'appareil principal)**  
**Support de batterie (fourni avec l'appareil principal)**  
**Connecteur de fixation de batterie et vis pour batterie Sony (NP-1B)**